

Pluraluce65

High protection class emergency luminaire: Flat design casing and cover in stainless steel. High-power LED with lighting control through special lenses for asymmetrical-emitted light distribution (illumination of paths with 1 lx), or for symmetrically emitted light distribution (illumination of surfaces with 0.5 lx)

Versions for wall mounting or ceiling mounting



Mounting types



Technical data

Mounting options:
surface wall mounting, surface ceiling mounting

Body:
stainless steel, white (RAL 9003)
stainless steel (V2A)

Cover:
methacrylate, clear

Lens: methacrylate, clear

Decentralized supply

Protection class: III

Mains supply:
24 V +/- 20% DC

Battery supply:
24 V +/- 20% DC

Ambient temperature:
-20 to +40 °C

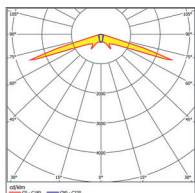
Central supply

Protection class: I

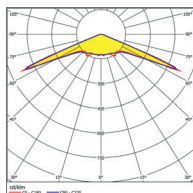
Mains supply:
198V-254V/50Hz

Battery supply:
EVG: 110V - 276V
Sleb/Alog: 176V - 276V

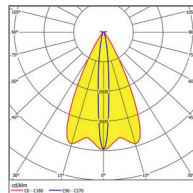
Ambient temperature:
-20 to +40 °C



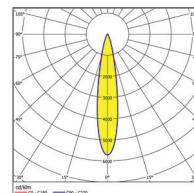
asymmetric
wide beam



symmetric
wide beam to 3.5m



asymmetric
deep beam



symmetric
deep beam

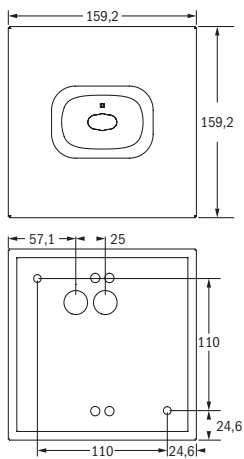
Decentralized / Central supply

[SICURO] _{S24}		[EVG]	[SLEB]	[ALOG]	LED	P	Φ	P =	S ~	P =
Wall mounted ¹ , ceiling mounted suitable for escape route lighting, stainless steel white										
T93301-S24	T93301E	T93301S	T93301A	1	2.5W	198 lm		3.8W	10.0VA / 5.0W	
Version in stainless steel V2A										
T93303-S24	T93303E	T93303S	T93303A	1	2.5W	198 lm		3.8W	10.0VA / 5.0W	
Version deep beam, stainless steel white										
T93305-S24	T93305E	T93305S	T93305A	1	2.5W	244 lm		3.8W	10.0VA / 5.0W	
Version deep beam, stainless steel V2A										
T93307-S24	T93307E	T93307S	T93307A	1	2.5W	244 lm		3.8W	10.0VA / 5.0W	
Wall mounted ¹ / ceiling mounted suitable for area lighting, stainless steel white										
T93300-S24	T93300E	T93300S	T93300A	1	2.5W	199 lm		3.8W	10.0VA / 5.0W	
Version in V2A										
T93302-S24	T93302E	T93302S	T93302A	1	2.5W	199 lm		3.8W	10.0VA / 5.0W	
Version deep beam, stainless steel white										
T93304-S24	T93304E	T93304S	T93304A	1	2.5W	199 lm		3.8W	10.0VA / 5.0W	
Version deep beam, stainless steel V2A										
T93306-S24	T93306E	T93306S	T93306A	1	2.5W	199 lm		3.8W	10.0VA / 5.0W	

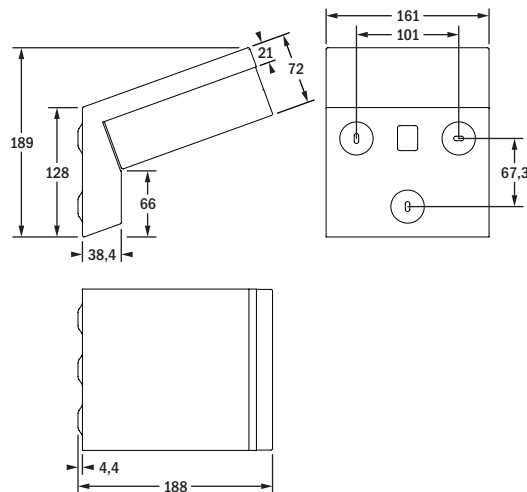
¹ For wall mounting please order required accessories separately.

Please order mounting accessories separately

Order code	Description
F95806-RAL9003	Wallbracket, white
F95806-INOX	Wallbracket, stainless steel



surface ceiling mounting



surface wall mounting with bracket suspension