

Triangle

Emergency luminaire: Casing is made of stainless steel and has a triangular design with downwards-directed light-emitting surfaces. High-power LED with lighting control through special lenses for asymmetrically-emitted light distribution (illumination of paths with 1 lx), or for symmetrically emitted light distribution (illumination of surfaces with 0.5 lx).

Versions for wall mounting or with additional accessories for bollards.



Mounting types



Mounting types with accessories



Technical data

Mounting options:
surface wall mounting, surface floor mounting

Body:
stainless steel, white (RAL 9003)
stainless steel (V2A)

Lens:
methacrylate

Cover:
methacrylate, clear

Decentralized supply

Protection class: III

Mains supply:
24 V +/- 20% DC

Battery supply:
24 V +/- 20% DC

Ambient temperature:
-20 to +40 °C

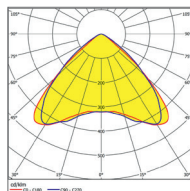
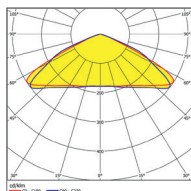
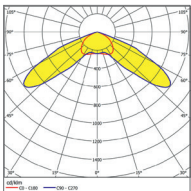
Central supply

Protection class: I

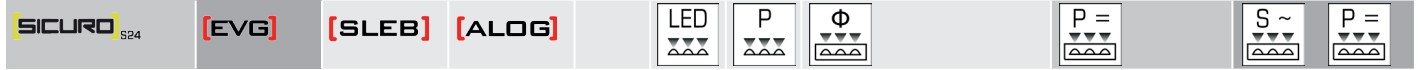
Mains supply:
198V-254V/50Hz

Battery supply:
EVG: 110V - 276V
Sleb/Alog: 176V - 276V

Ambient temperature:
-20 to +40 °C



Decentralized / Central supply



Surface wall mounting, surface floor mounting¹ for single faced indication, emergency lighting and illumination of areas with 2 changeable lenses, stainless steel white

T93242-S24	T93242E	T93242S	T93242A	1	2.5 W	Escape route lighting 218 lm Illumination of areas 238 lm	3.8 W	10.0 VA / 5.0 W
-------------------	----------------	----------------	----------------	---	-------	--	-------	-----------------

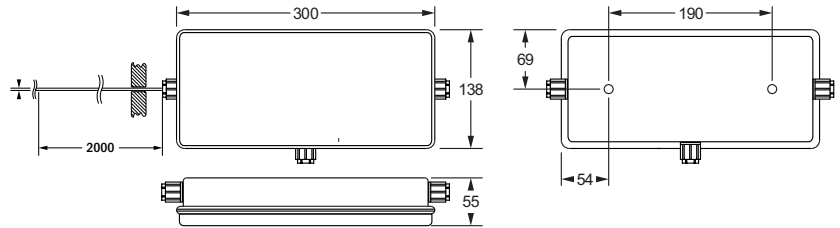
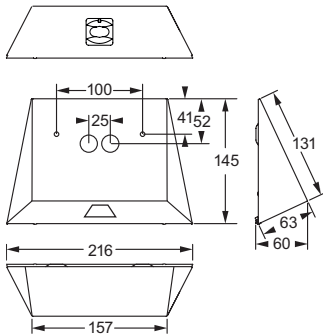
Surface wall mounting, surface floor mounting¹ for single faced indication, emergency lighting and illumination of areas with 2 changeable lenses, stainless steel V2A

T93243-S24	T93243E	T93243S	T93243A	1	2.5 W	Escape route lighting 218 lm Illumination of areas 238 lm	3.8 W	10.0 VA / 5.0 W
-------------------	----------------	----------------	----------------	---	-------	--	-------	-----------------

¹ For surface floor mounting, please order accessories separately.

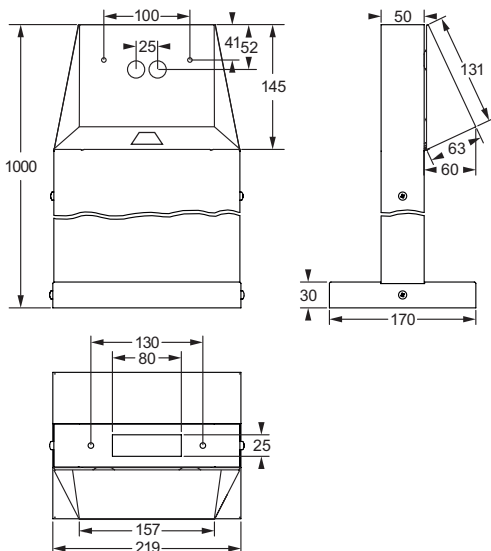
Please order mounting accessories separately

Order code	Description
F95940	Bollard, angular, length 1000 mm, stainless steel white
F95941	Bollard, angular, length 1000 mm, stainless steel, V2A



box for battery (self contained)

wall mounting



floor mounting