

MultiBay LED 30

Multi-function Floodlight

LED powered floodlight with aluminium die cast body and technopolymer screwable top for quick access to the junction box. Screen is made of frosted tempered glass to avoid any glaring.

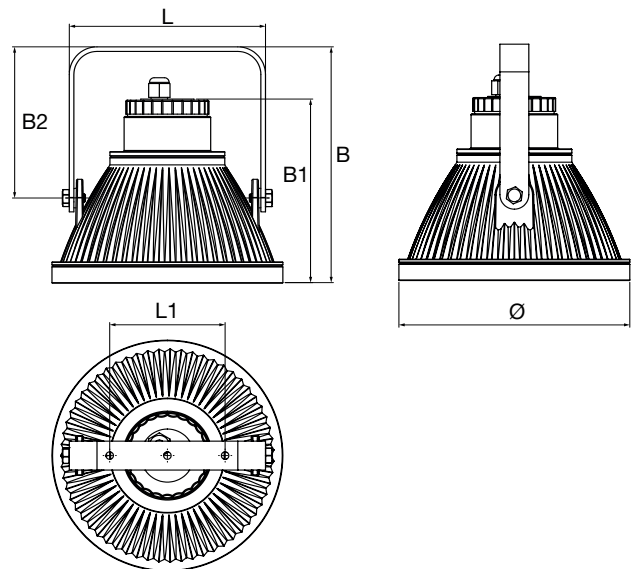
Versatility is the great innovation in this fixture that can be installed suspended with steel wires, on wall with an adjustable bracket and on ground with a foot base accessory and a single spyke.

Its small dimension makes Multibay ideal for both architectural and industrial types of installation.



GENERAL SPECIFICATION

- Power** 30 W
- Supply** 220/240 VAC - 50/60 Hz
- Conformity to** EN60598-1; EN60598-2-1; EN 62471
- Protection degree** IP65
- Ambient temp.** -20°C +40°C
- Mounting** Wall, ground, suspended
- Body** Die cast aluminium (RAL 7040)
- Reflector** White painted die cast aluminium
- Power supply** Integrated, Electronic
- Power supply compartment** PC and fiberglass
- Screen** Frosted tempered glass
- Life** 35000 h ^φ



ACCESSORIES - Supplied with

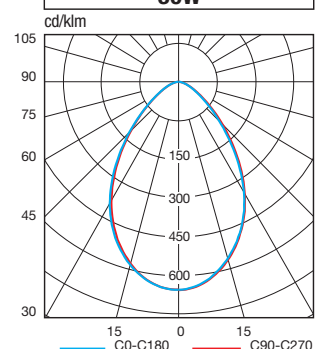
Part #	Description	Packaging
-	MOUNTING BRACKET	1
-	TECHNOPOLYMER FOOT BASE	1
-	SPYKE	1
-	SUSPENSION WIRE	1

Power W	• Dimension (mm) •						N° LED	Weight kg
	Ø	B	B1	B2	L	L1		
30	200	204	159	131	170	100	80	1,8

**Multy bay 30 REPLACES
100W
HALOGEN FLOODLIGHTS**

PART NUMBER 76300

30W



MultyBay LED 30

W	Part #	Description	EAN code	Power W	Colour temp.	Ra	N° LED	Flux (lm)	Lighting efficiency (lm/W)	Energy Class	Packaging single/multi
30	76300	HMF LED 30	8002219713254	28	4000	>80	80	1800	64	A	1/4



Suspension



Wall / Ceiling with adjustable bracket



Ground with spyke



Construction site light

