

MultiBay LED 50

Multi-function Floodlight

LED powered floodlight with aluminium die cast body and technopolymer screwable top for quick access to the junction box. Screen is made of frosted tempered glass to avoid any glaring.

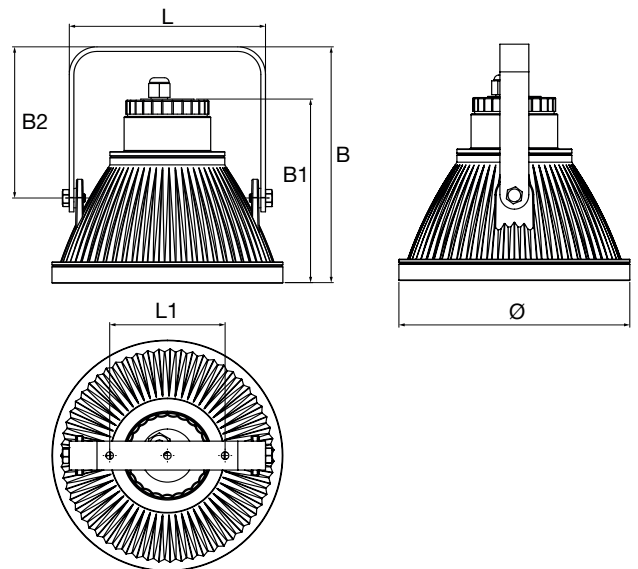
Versatility is the great innovation in this fixture that can be installed suspended with steel wires, on wall with an adjustable bracket and on ground with a foot base accessory and a single spike.

Its small dimension makes MultiBay ideal for both architectural and industrial types of installation.



GENERAL SPECIFICATION

- Power** 50 W
- Supply** 220/240 VAC - 50/60 Hz
- Conformity to** EN60598-1; EN60598-2-1; EN 62471
- Protection degree** IP65
- Ambient temp.** -20°C +40°C
- Mounting** Wall, ground, suspended
- Body** Die cast aluminium (RAL 7040)
- Reflector** White painted die cast aluminium
- Power supply** Integrated, Electronic
- Power supply compartment** PC and fiberglass
- Screen** Frosted tempered glass
- Life** 35000 h ^φ



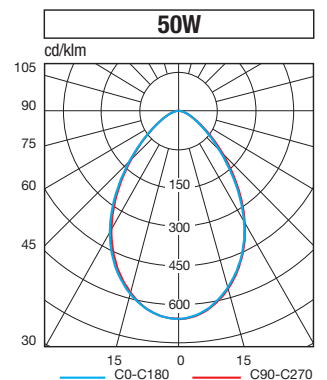
ACCESSORIES - Supplied with

Part #	Description	Packaging
-	MOUNTING BRACKET	1
-	TECHNOPOLYMER FOOT BASE	1
-	SPYKE	1
-	SUSPENSION WIRE	1

Power W	• Dimension (mm) •						N° LED	Weight kg
	Ø	B	B1	B2	L	L1		
50	200	204	159	131	170	100	126	1,8

**Multy bay 50 REPLACES
150W
HALOGEN FLOODLIGHTS**

PART NUMBER 76301



MultyBay LED 50

W	Part #	Description	EAN code	Power W	Colour temp.	Ra	N° LED	Flux (lm)	Lighting efficiency (lm/W)	Energy Class	Packaging single/multi
50	76301	HMF LED 50	8002219713261	47	4000	>80	126	3250	69	A	1/4



Suspension



Wall / Ceiling with adjustable bracket



Ground with spyke



Construction site light

