

SignLED

Combined safety sign luminaire / emergency luminaire: Casing made of flat sheet steel profiles with angular contours and a triangular design. Double-sided signage for safety devices is provided by exchangeable safety sign inserts. Illumination of safety devices with 5 lx through high-power LED with lighting control through a special lens.

Version for wall mounting.



Mounting types



Technical data

Mounting options: surface wall mounting

Body: sheet steel, white (RAL 9003)

Display pane: methacrylate, printed

Decentralized supply

Protection class: III

Mains supply:
24 V +/- 20% DC

Battery supply:
24 V +/- 20% DC

Ambient temperature:
-20 to +40 °C

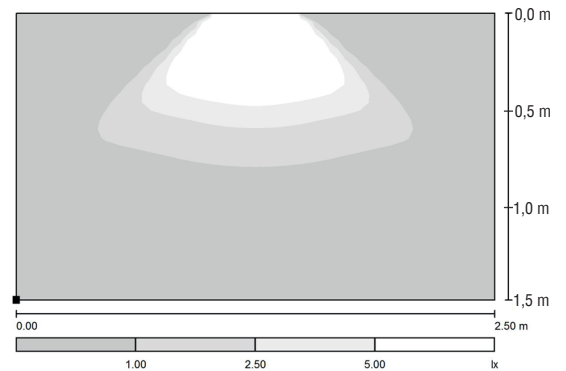
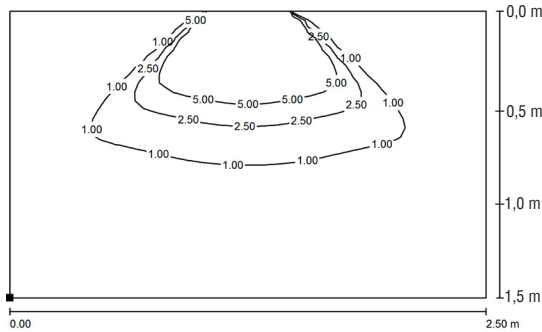
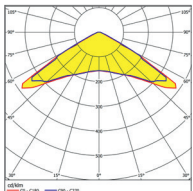
Central supply

Protection class: I

Mains supply:
198V-254V/50Hz

Battery supply:
EVG: 110V - 276V
Sleb/Alog: 176V - 276V

Ambient temperature:
-20 to +40 °C



Order codes

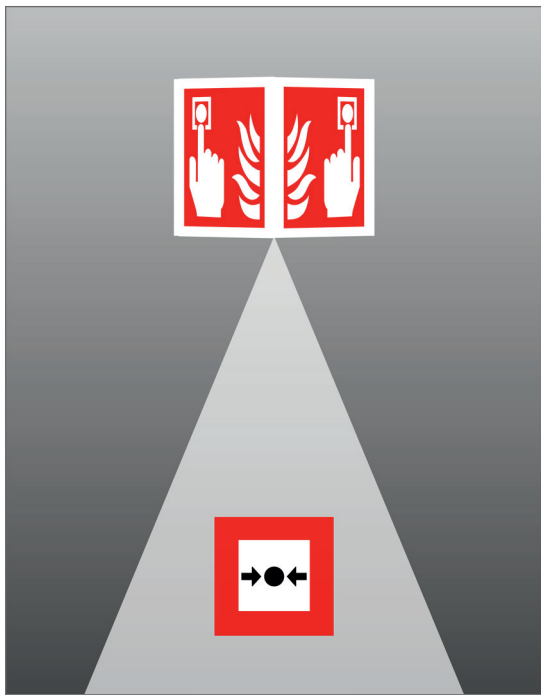
Decentralized / Central supply



Surface wall mounting

T93340-S24	T93340E	T93340S	T93340A	26m	2	1.0 W	-	2.9 W	8.0 VA / 3.8 W
				26m	1	2.5 W	149 lm	3.8 W	6.0 VA / 5.0 W

Lamps to illuminate the safety signs and the safety device separately programmable in permanent or standby mode.



Safety sign, please order separately

Order code

Description

E16914M



F001 Safety sign fire extinguisher

E16915M



F002 Safety sign extinguishing hose

E16913M



F005 Safety sign fire detector

E16912M



E003 Safety sign first aid

E16910M

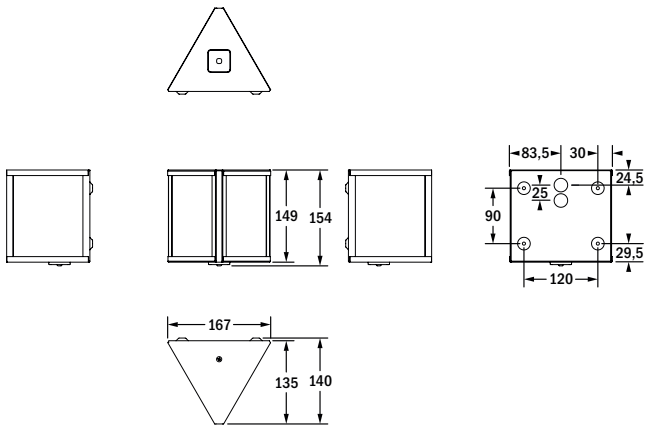


E004 Safety sign first aid phone

E16911M



E007 Safety sign collective place



surface wall mounting