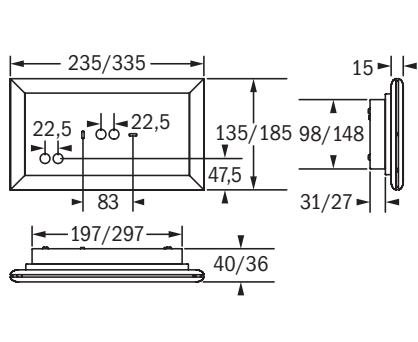
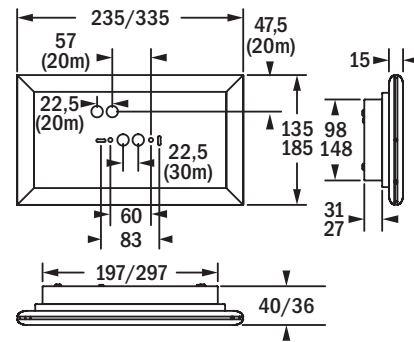


Pluraluce

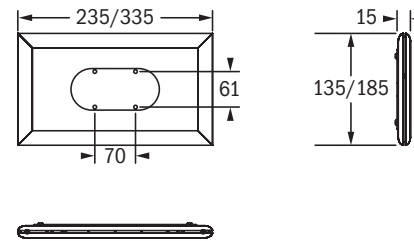
Rettungszeichenleuchte / Exit sign luminaire



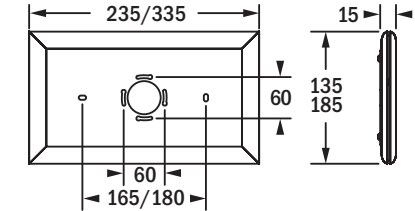
Wandanbau (EB / ZV)¹
wall surface mounting (sc / cs)¹



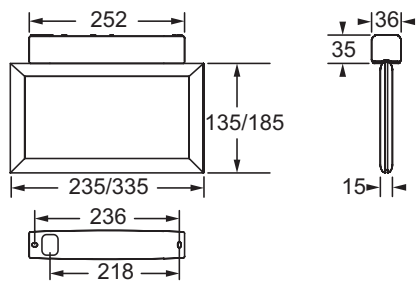
Wandanbau (DV)¹
wall surface mounting (ds)¹



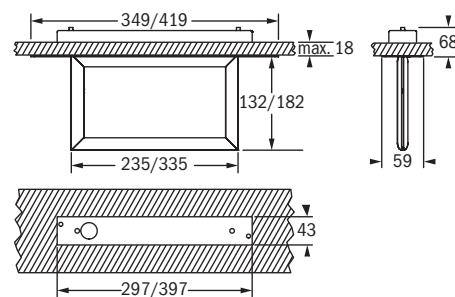
Wandeinbau (EB / ZV)¹
recessed wall mounting (sc / cs)¹



Wandeinbau (DV)¹
recessed wall mounting (ds)¹

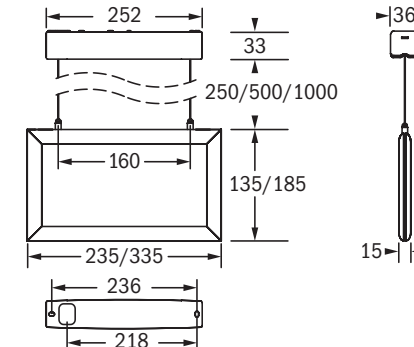


Deckenanbau (EB / DV / ZV)¹
ceiling surface mounting (sc / ds / cs)¹



Decken-Öffnung / ceiling cutout:
20 m: 300 mm x 45 mm
30 m: 370 mm x 45 mm

Deckeneinbau (Hohldecke) (EB / DV / ZV)¹
ceiling recessed mounting
(hollow ceiling) (sc / ds / cs)¹

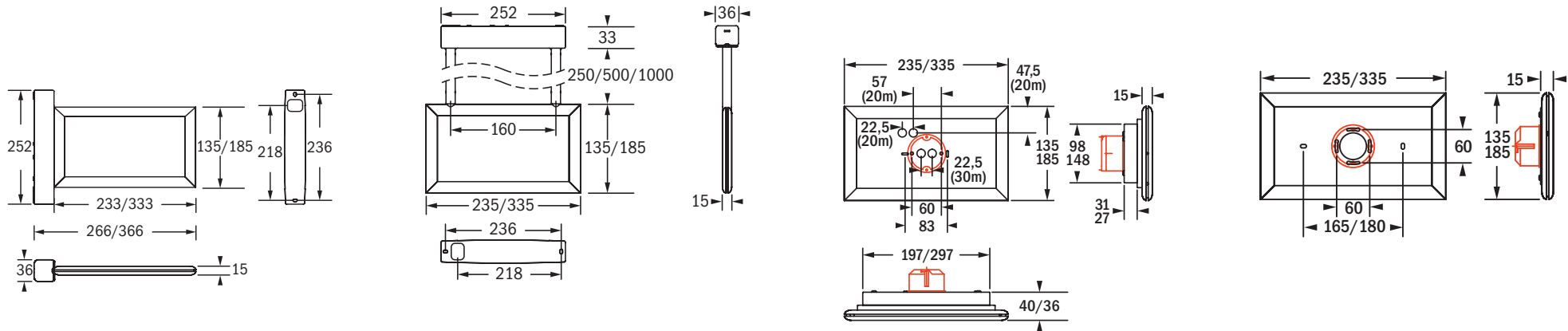


Seilpendel (EB / DV / ZV)¹
wire suspension (sc / ds / cs)¹

¹ EB = Einzelbatterie ZV= Zentrale Versorgung DV = Dezentrale Versorgung / sc = self contained cs= central supply ds = decentralized supply

Pluraluce

Rettungszeichenleuchte / Exit sign luminaire

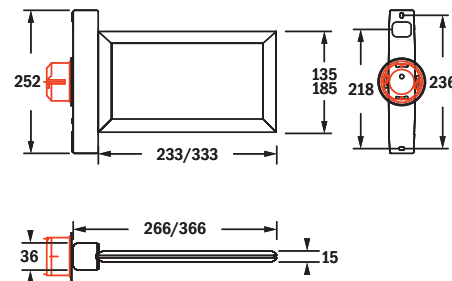
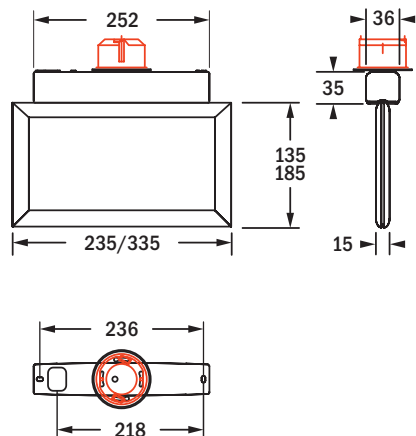


Ausleger (EB / DV / ZV)¹
bracket mounting (sc / ds / cs)¹

Rohrpendel, rund (EB / DV / ZV)¹
pendant rod mounting (sc / ds / cs)¹

Wandanbau (DV)¹ in F30 / F90 Gerätedose
(in rot dargestellt)
wall surface mounting (ds)¹ in F30 / F90
mounting box (shown in red)

Wandeinbau (DV)¹ in F30 / F90 Gerätedose
(in rot dargestellt)
recessed wall mounting (ds)¹ in F30 / F90
mounting box (shown in red)



Deckenanbau (EB / DV / ZV)¹ in F30 / F90
Gerätedose (in rot dargestellt)
ceiling surface mounting (sc / ds / cs)¹ in
F30 / F90 mounting box (shown in red)

Ausleger (DV)¹ in F30 / F90 Gerätedose
(in rot dargestellt)
bracket mounting (ds)¹ (shown in red)

¹ EB = Einzelbatterie ZV= Zentrale Versorgung DV = Dezentrale Versorgung / sc = self contained cs= central supply ds = decentralized supply