



## LLL EXTREME

**High type of protection and high impact resistance.** Housing made of diecast aluminium in square shape. High-power LEDs with light guidance through special lenses for asymmetrical light distribution (illumination of escape routes with 1 lx) or for symmetrical light distribution (illumination of areas with 0.5 lx). Explosion-protected for zone 2 (II 3G Ex nA IIB T4 Gc) and zone 22 (II 3D Ex tc IIIC T80°C Dc) except of the accessory 15049. Extremely resistant against mechanical and chemical stress. All luminaires, except of the accessories 15043, 15044 and 15049, are suitable for the use in sport sites (certificate of accredited body available).

Versions for surface wall and ceiling mounting, excluding swivelable wall holder and with additional accessories for recessed wall and ceiling mounting and surface wall mounting with swivelable wall holder

### MOUNTING TYPES



### MOUNTING TYPES WITH ACCESSORIES



### TECHNICAL DATA

**Housing:** Diecast aluminium, grey (RAL 7040)  
**Lens:** PMMA, transparent  
**Service life  $L_{90B_{20}}$ :** 50.000 h  
**Color stability:** 3 SDCM

**Color temperature:** 4.000 K  
**Color rendering index:** 70  
**Optic interface:** LIFE



**Commissioning:** For Autotest, operating duration 8h, operating mode PS, monitoring group and test duration are only programmable per app B.connect over smartphone locally on luminaire.

### SELF-CONTAINED SUPPLY

**Mains supply:** 198 V – 254 V/50 Hz  
**Switching:** Maintained and non-maintained  
**Ambient temperature:** 0 °C to +40 °C  
**Protection class:** I

### DECENTRAL SUPPLY

**Mains supply:** 24 V +/- 20 % DC  
**Battery supply:** 24 V +/- 20 % DC  
**Ambient temperature:** -20 °C to +40 °C  
**Protection class:** III with connection only to low voltage, I with additional connection to voltages above low voltage

### CENTRAL SUPPLY

**Mains supply:** 198 V – 254 V/50 Hz  
**Battery supply:** 176 V – 276 V  
**Ambient temperature:** -20 °C to +40 °C  
**Protection class:** I

Variant

LIFE

Sicuro24 / Sicuro230



575 lm

1.400 lm

### FORMULAS FOR CALCULATION OF THE RESPECTABLE LIGHT FLUX IN MAINS AND BATTERY OPERATION

Ideational light flux of luminaire in mains operation [%] = 100 %

Respectable light flux of luminaire in mains operation [lm] =

$$\text{Respectable light flux of luminaire in mains operation [\%]} \times \frac{\text{Ideational light flux of luminaire in mains operation [lm]}}{100 \%}$$

Ideational light flux of luminaire in battery operation [%] = 100 %

Respectable light flux of luminaire in battery operation [lm] =

$$\text{Respectable light flux of luminaire in battery operation [\%]} \times \frac{\text{Ideational light flux of luminaire in battery operation [lm]}}{100 \%}$$

Autotest / CableCom Order code	Logica Order code	Logica FM Order code	LED	$\Phi=$ <sup>5</sup> 1 h	$\Phi=$ <sup>5</sup> 3 h	$\Phi=$ <sup>5</sup> 8 h		S~
Surface wall mounting, surface ceiling mounting, for escape route and area illumination with 5 changeable lenses <sup>1</sup>								
19370	19370+15036 <sup>2</sup>	19370+15049 <sup>2,4</sup>	4	1.155 lm	385 lm	144 lm	2x LIFE 6.4 V / 1.5 Ah	13.4 VA

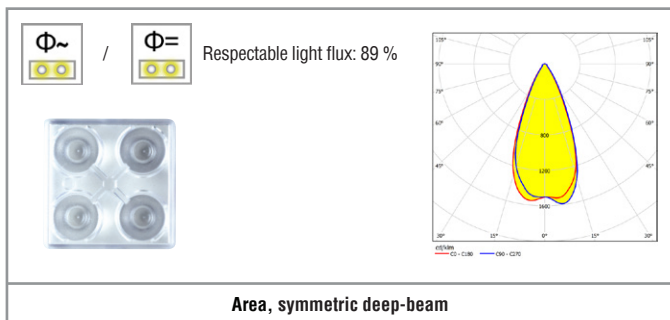
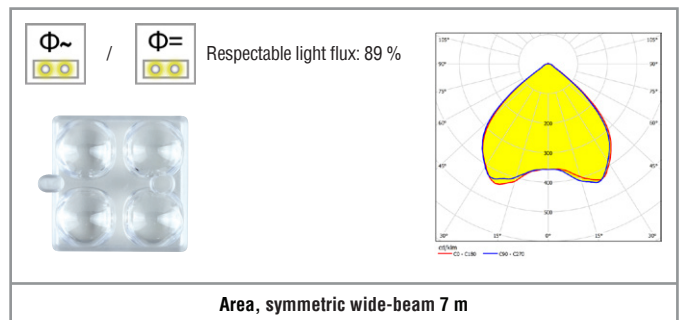
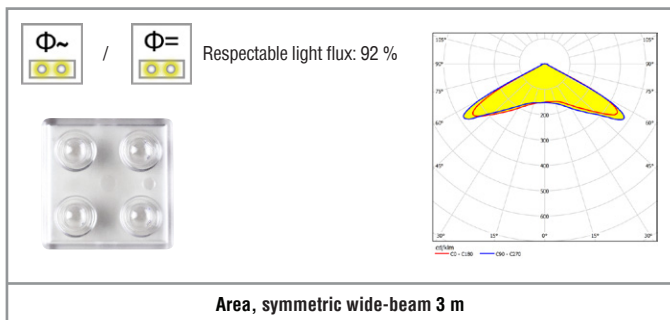
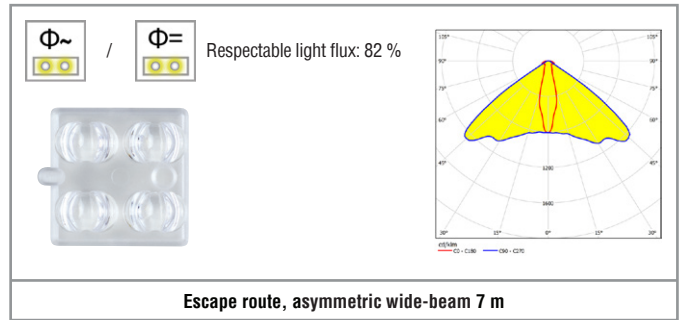
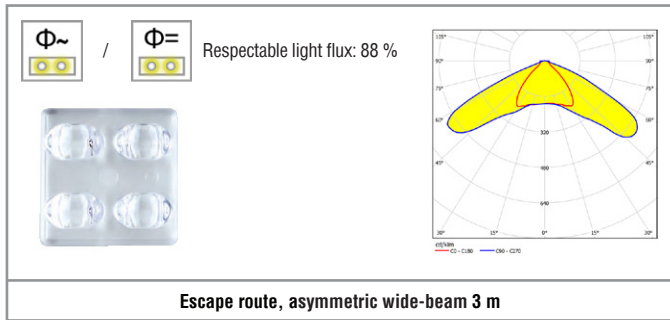
**SICURO** DECENTRAL SUPPLY

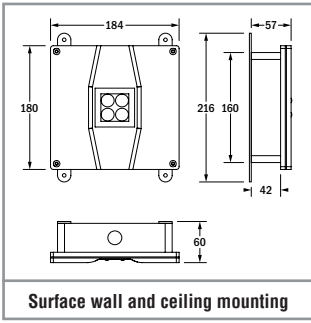
Sicuro24 Order code	LED	$\Phi=$ <sup>5</sup>	P=
Surface wall mounting, surface ceiling mounting, for escape route and area illumination with 5 changeable lenses <sup>1</sup>			
32083	4	1.100 lm	7.4 W

**SICURO** CENTRAL SUPPLY

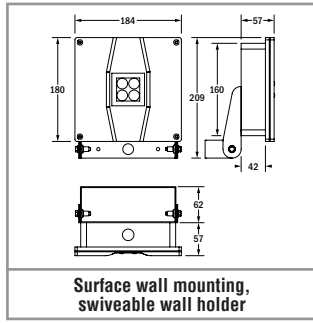
Sicuro230 Order code	LED	$\Phi=$ <sup>5</sup>	S~	P=
Surface wall mounting, surface ceiling mounting, <b>with luminaire monitoring (EÜ)</b> , for escape route and area illumination with 5 changeable lenses <sup>1</sup>				
31112	4	1.400 lm	24.1 VA / 11.2 W	
Surface wall mounting, surface ceiling mounting, <b>with circuit monitoring (SÜ)</b> , for escape route and area illumination with 5 changeable lenses <sup>1</sup>				
31113	4	1.400 lm	22.2 VA / 10.7 W	

<sup>1</sup> Please order additional accessories for recessed wall and ceiling mounting and surface wall mounting with swiveable wall holder separately.  
<sup>2</sup> Please order Logica interface (15036) and Logica FM interface (15049) separately.  
 The Logica FM interface (15049) is not suitable for the explosion protection in zone 2 (II 3G Ex nA IIB T4 Gc) and zone 22 (II 3D Ex tc IIIC T80°C Dc).  
<sup>3</sup> 1 piece per luminaire required.  
<sup>4</sup> The accessory is not suitable for the use in sport sites.  
<sup>5</sup> Ideational light flux of 100 %. Corresponds to no adjustable / programmable value.

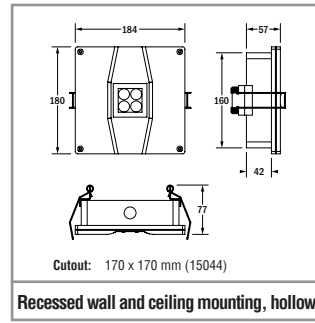




**Surface wall and ceiling mounting**



**Surface wall mounting, swiveable wall holder**



Cutout: 170 x 170 mm (15044)

**Recessed wall and ceiling mounting, hollow**



**Wall holder  
- 15043**



**Recessed mounting set, hollow  
- 15044**



**Extremely resistant housing – luminaire suitable for use in sport sites**



1x cable gland,  
included in scope of delivery

#### Included in scope of delivery

Order code	Description
-	Symmetrical wide-beam lens for mounting height 3.5 m (only for area illumination)
-	Symmetrical wide-beam lens for mounting height 7 m (only for area illumination)
-	Asymmetrical wide-beam lens for mounting height 3.5 m (only for escape route illumination)
-	Asymmetrical wide-beam lens for mounting height 7 m (only for escape route illumination)
-	Symmetrical deep-beam lens (only for area illumination)
-	1x cable gland, M20, stainless steel, ATEX

#### Please order accessories separately

Order code	Description
15043	Wall holder, swiveable (+110° / -47°) <sup>3 4</sup>
15044	Recessed mounting set for hollow walls / hollow ceilings <sup>4</sup>

#### Please order further accessories separately (only for LIFE)

Order code	Description
15036	Logica interface
15049	Logica FM interface (IP65, luminaire attachment) <sup>4</sup>
15038	DALI interface (for connection to DALI central of the general or safety lighting)