



ACCIAIO

High protection. The housing is made of zinc-coated sheet steel, the caps are made of plastic and the insert is made of tempered glass. The caps and the insert are securely fastened to the housing. Lighting control is provided by a highly reflective aluminium reflector. Single or double-sided escape route signage is provided thanks to exchangeable display inserts. Explosion protection for zone 2 (II 3G Ex nA IIB T4) and zone 22 (II 3D Ex tD A22 T100). Extremely resistant to both mechanical and chemical stress.

Versions for wall mounting and ceiling mounting with swivelling mount or for chain/cable mounting

MOUNTING OPTIONS



TECHNICAL DATA

Housing:	Sheet steel, galvanized, grey (RAL 7040)	Service life $L_{80B_{20}}$:	50.000 h
Caps:	Polycarbonate / polybutyleneterephthalate, grey (RAL 7040)	Color stability:	3 SDCM
Display pane:	Tempered glass, structured		
Reflector:	Aluminium, specular		



SELF-CONTAINED SUPPLY

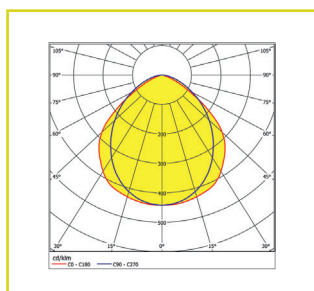
Mains supply: 198 V–254 V/50 Hz	Ambient temperature: LTO: -40 °C to +40 °C Classic: 0 °C to +40 °C
Specification: Maintained or non-maintained mode	Protection class: I

DECENTRAL SUPPLY

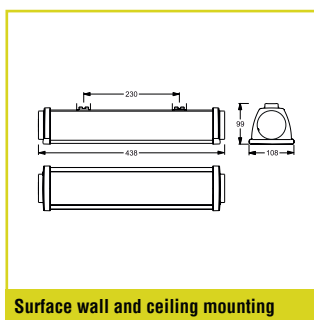
Battery supply: 24 V +/- 20% DC	Ambient temperature: -20 °C to +40 °C
Mains supply: 24 V +/- 20% DC	Protection class: III

CENTRAL SUPPLY

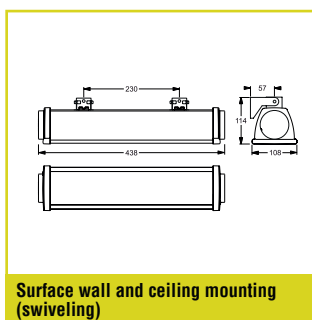
Battery supply: 176 V–276 V	Ambient temperature: -20 °C to +40 °C
Mains supply: 198 V–254 V/50 Hz	Protection class: I



Polar diagram



Surface wall and ceiling mounting



Surface wall and ceiling mounting (swiveling)



SELF-CONTAINED SUPPLY

Autotest Order code	Logica Order code	Logica FM Order code	LED	Φ 1 h	Φ 3 h	Φ 8 h		
Surface wall and ceiling mounting, chain/wire suspension for escape route lighting								
37090	37091	37092	32	400 lm	200 lm	55 lm	2 x LTO 7.2 V / 0.5 Ah	4.85 VA

CLASSIC SELF-CONTAINED SUPPLY

Autotest Order code	Logica Order code	Logica FM Order code	LED	Φ 1 h	Φ 3 h	Autotest	Logica	
Surface wall and ceiling mounting, chain/wire suspension for escape route lighting								
15030	15030	15031	32	400 lm	200 lm	NiMH 7.2V / 1.2 Ah	NiMH 7.2V / 1.2 Ah	10 VA
15032 ¹	15032 ¹	15033 ¹	32	800 lm	270 lm	NiMH 7.2V / 1.7 Ah	NiMH 7.2V / 1.7 Ah	1.7 VA

DECENTRAL SUPPLY

Sicuro24 Order code	LED	Φ	P=
Surface wall and ceiling mounting, chain/wire suspension for escape route lighting			
32092 ¹	32	800 lm	8 W ²
		1.600 lm	16 W ²

CENTRAL SUPPLY

Sicuro230 Order code	LED	Φ	S~	P=
Surface wall and ceiling mounting, chain/wire suspension for escape route lighting				
31053	32	1.600 lm	25 VA / 22.8 W ²	

¹ Only for non maintained mode² Programmable via decentral supply

Included in standard delivery

Order code	Description
20122	Wall and ceiling bracket, swiveling