



S-IN

Safety luminaire for steps. Housing made of aluminium with lamella and frame bezel, exchangeable. Recessed housing for massive steps included in scope of delivery.

Version for recessed step mounting

MOUNTING TYPES



TECHNICAL DATA

Housing:	Aluminium, grey (RAL 7037)	Service life $L_{80, B_{20}}$:	50.000 h
Cover:	Diecast aluminium, grey (RAL 7037)	Color stability:	3 SDCM
Pane:	Glass, opal	Color temperature:	6.500 K
		Color rendering index:	70



DECENTRAL SUPPLY

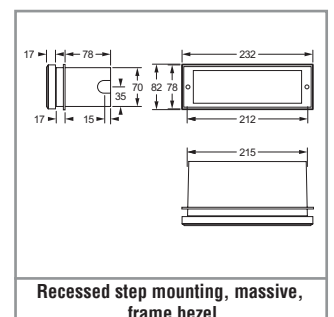
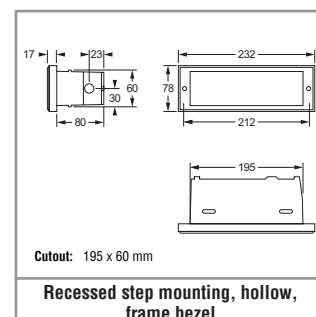
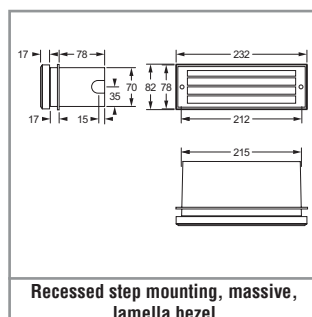
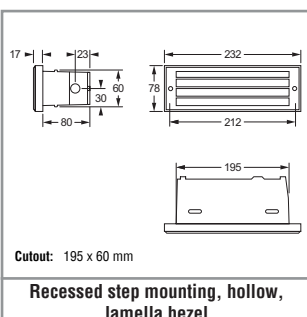
Mains supply:	24 V +/- 20 % DC
Battery supply:	24 V +/- 20 % DC
Ambient temperature:	-20 °C to +40 °C
Protection class:	III

CENTRAL SUPPLY


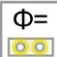
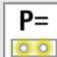
Mains supply:	198 V – 254 V / 50 Hz
Battery supply:	176 V – 276 V
Ambient temperature:	-20 °C to +40 °C
Protection class:	I
Mains supply (alt.):	90 V – 254 V / 50/60 Hz
Battery supply (alt.):	90 V – 276 V

Variant

Sicuro24 – with lamella bezel	29 lm
Sicuro24 – with frame bezel	133 lm
Sicuro230 – with lamella bezel	29 lm
Sicuro230 – with frame bezel	133 lm


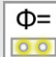
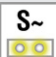
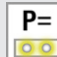


SICURO^{LED} DECENTRAL SUPPLY

Sicuro24 Order code	LED 	Φ = 	P= 
Recessed step mounting ¹			
32031	3	29 lm (lamella bezel) 133 lm (frame bezel)	4.3 W

¹ Recessed step mounting massive and hollow possible.

SICURO^{LED} CENTRAL SUPPLY

Sicuro230 Order code	LED 	Φ = 	S~ 	P= 
Recessed step mounting ¹				
31031	3	29 lm (lamella bezel) 133 lm (frame bezel)	8.9 VA / 4.5 W	

Included in scope of delivery

Order code	Description
-	Recessed mounting set for massive steps
-	Recessed mounting set for hollow steps

