



ALU-K

Housing made of flat aluminium profiles with angular contours.
 Available as escape sign luminaire or safety luminaire. High-power LED with light guidance through special lenses for asymmetrical light distribution (illumination of escape routes with 1 lx) or for symmetrical light distribution (illumination of areas with 0.5 lx) for safety luminaire. 1 or 2-sided escape route indication through exchangeable panes with additional light outlet downwards for surface wall mounting for escape sign luminaire.

Escape sign luminaire: Versions for surface wall mounting and with additional accessories for pendulum and bracket

Safety luminaire: Versions for surface wall and ceiling mounting

MOUNTING TYPES



MOUNTING TYPES WITH ACCESSORIES



TECHNICAL DATA

Housing:	Aluminium, anodized, grey	Color stability:	3 SDCM
Pane:	PMMA, printed (escape sign luminaire) PMMA, transparent (safety luminaire)	Color temperature:	4.000 K (ESL & SL)
Reflector:	Aluminium, specular	Color rendering index:	80 (ESL) 90 (SL)
Service life L₈₀B₂₀:	50.000 h		

SELF-CONTAINED SUPPLY

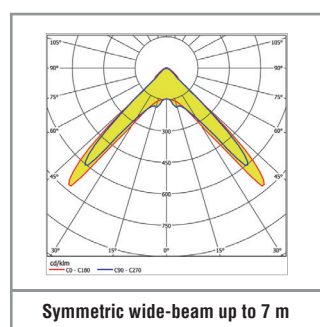
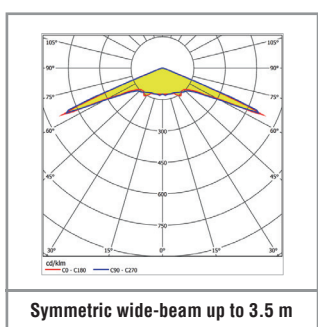
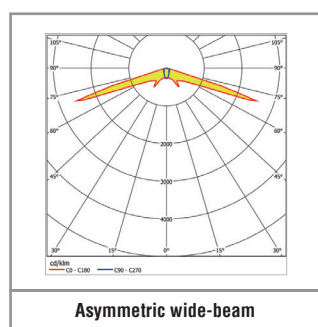
Mains supply:	198 V – 254 V/50 Hz
Switching:	Maintained and non-maintained
Ambient temperature:	LTO: -20 °C to +45 °C Classic: 0 °C to +40 °C
Protection class:	I

DECENTRAL SUPPLY

Mains supply:	24 V +/- 20 % DC
Battery supply:	24 V +/- 20 % DC
Ambient temperature:	-20 °C to +40 °C
Protection class:	III

CENTRAL SUPPLY

Mains supply:	198 V – 254 V/50 Hz
Battery supply:	176 V – 276 V
Ambient temperature:	-20 °C to +40 °C
Protection class:	I
Mains supply (alt.):	90 V – 254 V / 50/60 Hz
Battery supply (alt.):	90 V – 276 V





SELF-CONTAINED SUPPLY

Autotest Order code	Logica Order code	Logica FM Order code			$\Phi=$ 1 h	$\Phi=$ 3 h	$\Phi=$ 8 h		
---------------------	-------------------	----------------------	--	--	-------------	-------------	-------------	--	--

Surface wall mounting (1-sided escape route indication)

37033	37034	37035	24 m	24	–	–	–	2 x LTO 7.2 V / 0.5 Ah	4.85 VA
37036	37037	37038	30 m	32	–	–	–	2 x LTO 7.2 V / 0.5 Ah	4.85 VA
37039	37040	37041	53 m	48	–	–	–	2 x LTO 7.2 V / 0.5 Ah	4.85 VA

Pendulum mounting adaptor (2-sided escape route indication)¹

37042	37043	37044	24 m	24	–	–	–	2 x LTO 7.2 V / 0.5 Ah	4.85 VA
37045	37046	37047	30 m	32	–	–	–	2 x LTO 7.2 V / 0.5 Ah	4.85 VA
37048	37049	37050	53 m	48	–	–	–	2 x LTO 7.2 V / 0.5 Ah	4.85 VA

Surface wall mounting, surface ceiling mounting with 3 changeable lenses (escape route illumination / area illumination)

37051	37052	37053	–	1	Escape route 294 lm	Escape route 170 lm	Escape route 47 lm	2 x LTO 7.2 V / 0.5 Ah	4.85 VA
					Area 3.5 m / 7 m 302 lm / 297 lm	Area 3.5 m / 7 m 173 lm / 171 lm	Area 3.5 m / 7 m 48 lm / 48 lm		

CLASSIC SELF-CONTAINED SUPPLY

Autotest Order code	Logica Order code	Logica FM Order code			$\Phi=$ 1 h	$\Phi=$ 3 h			
---------------------	-------------------	----------------------	--	--	-------------	-------------	--	--	--

Surface wall mounting (1-sided escape route indication)

36033	36034	36035	24 m	24	–	–	NiMH 7.2 V / 0.6 Ah	NiMH 7.2 V / 1.2 Ah	7 VA
36036	36037	36038	30 m	32	–	–	NiMH 7.2 V / 0.6 Ah	NiMH 7.2 V / 1.2 Ah	10 VA
36039	36040	36041	53 m	48	–	–	NiMH 7.2 V / 0.6 Ah	NiMH 7.2 V / 1.2 Ah	10 VA

Pendulum mounting adaptor (2-sided escape route indication)¹

36042	36043	36044	24 m	24	–	–	NiMH 7.2 V / 0.6 Ah	NiMH 7.2 V / 1.2 Ah	7 VA
36045	36046	36047	30 m	32	–	–	NiMH 7.2 V / 0.6 Ah	NiMH 7.2 V / 1.2 Ah	10 VA
36048	36049	36050	53 m	48	–	–	NiMH 7.2 V / 0.6 Ah	NiMH 7.2 V / 1.2 Ah	10 VA

Surface wall mounting, surface ceiling mounting with 3 changeable lenses (escape route illumination / area illumination)

36051	36052	36053	–	1	Escape route 294 lm	Escape route 198 lm	NiMH 7.2 V / 0.6 Ah	NiMH 7.2 V / 1.2 Ah	8 VA
					Area 3.5 m / 7 m 302 lm / 297 lm	Area 3.5 m / 7 m 203 lm / 200 lm			



DECENTRAL SUPPLY

Sicuro24 Order code			$\Phi=$	$P=$
---------------------	--	--	---------	------

Surface wall mounting (1-sided escape route indication)

32011	24 m	24	–	2.2 W
32012	30 m	32	–	2.9 W
32013	53 m	48	–	4.3 W

Pendulum mounting adaptor (2-sided escape route indication)¹

32014	24 m	24	–	2.2 W
32015	30 m	32	–	2.9 W
32016	53 m	48	–	4.3 W

Surface wall mounting, surface ceiling mounting with 3 changeable lenses (escape route illumination / area illumination)

32017	–	1	Escape route 294 lm	3.8 W
			Area 3.5 m / 7 m 302 lm / 297 lm	



CENTRAL SUPPLY

Sicuro230 Order code			$\Phi=$	$S\sim$	$P=$
----------------------	--	--	---------	---------	------

Surface wall mounting (1-sided escape route indication)

31011	24 m	24	–	5.8 VA / 2.5 W
31012	30 m	32	–	7.4 VA / 3.5 W
31013	53 m	48	–	9.4 VA / 4.7 W

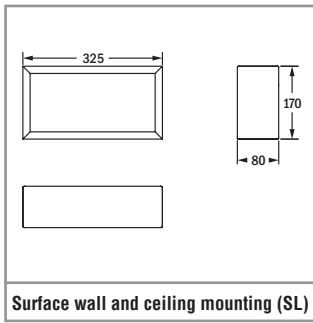
Pendulum mounting adaptor (2-sided escape route indication)¹

31014	24 m	24	–	5.8 VA / 2.5 W
31015	30 m	32	–	7.4 VA / 3.5 W
31016	53 m	48	–	9.4 VA / 4.7 W

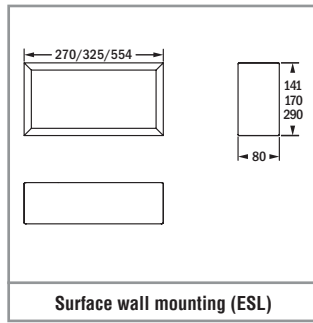
Surface wall mounting, surface ceiling mounting with 3 changeable lenses (escape route illumination / area illumination)

31017	–	1	Escape route 294 lm	8.3 VA / 4.1 W
			Area 3.5 m / 7 m 302 lm / 297 lm	

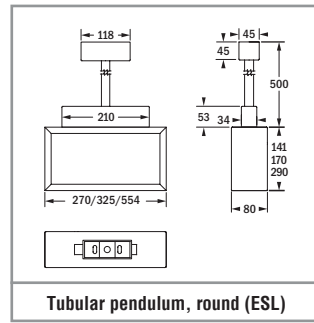
¹ Please order additional required accessories for pendulum and bracket separately. Luminaires with pendulum mounting adaptor are required for all types of pendulums as well as the bracket.



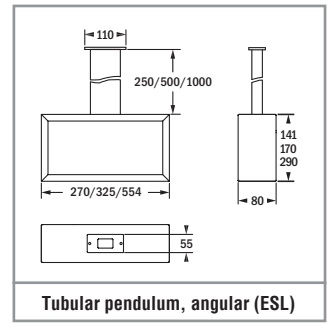
Surface wall and ceiling mounting (SL)



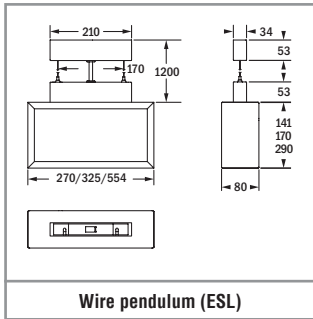
Surface wall mounting (ESL)



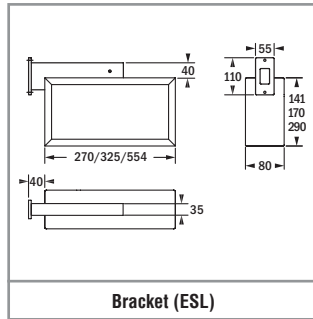
Tubular pendulum, round (ESL)



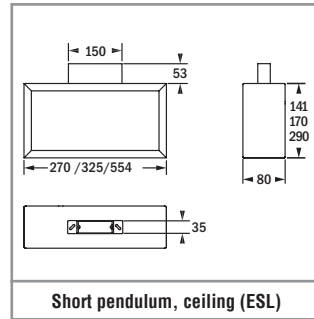
Tubular pendulum, angular (ESL)



Wire pendulum (ESL)



Bracket (ESL)



Short pendulum, ceiling (ESL)



Mounting with short pendulum, ceiling

Please order escape sign accessories separately

Order code			Description	
VD 24 m	VD 30 m	VD 53 m		
E16710M	E16715M	E16720M	Escape sign pane	
E16711M	E16716M	E16721M	Escape sign pane	
E16712M	E16717M	E16722M	Escape sign pane	
E16713	E16718	E16723	Pane, opal, PMMA	
E16714	E16719	E16724	Pane, grey, PMMA	
E16733M	E16725M	-	Escape sign pane	
E16734M	E16726M	-	Escape sign pane	
E16735M	E16727M	-	Escape sign pane	
E16736M	E16728M	-	Escape sign pane	
E16729M	E16730M	E16731M	Escape sign pane	
-	E16442	-	F001 safety sign pane fire extinguisher	
-	E16443	-	F002 safety sign pane extinguishing hose	
-	E16444	-	F005 safety sign pane fire detector	

Please order accessories separately

Order code			Description
VD 24 m	VD 30 m	VD 53 m	
F95717	F95717	F95717	Short pendulum for ceiling mounting ²
F95718	F95718	F95718	Tubular pendulum, angular, 250 mm ²
F95719	F95719	F95719	Tubular pendulum, angular, 500 mm ²
F95720	F95720	F95720	Tubular pendulum, angular, 1.000 mm ²
F95722	F95722	F95722	Tubular pendulum, round, 500 mm ²
F95723	F95723	F95723	Wire pendulum, max. 1.200 mm ²
F95714	F95721	F95729	Bracket ²
-	F95724	-	Protective basket (only for surface wall or ceiling mounting without pendulum, bracket)

² Sheet steel, aluminium grey