



PLURALUCE

Housing in flat design made of sheet steel or polycarbonate and frame display with frame made of aluminium and integrated light guide panel made of opal plastic. Homogeneous light distribution for realization of an optimal illumination of the escape sign. 1- or 2-sided escape route indication through exchangeable escape sign foils.

Version Sicuro24 also for attachment on fire protection walls / fire protection ceilings with device socket

Versions for surface wall and ceiling mounting, bracket and with additional accessories for recessed ceiling mounting and pendulum

MOUNTING TYPES



MOUNTING TYPES WITH ACCESSORIES



TECHNICAL DATA

Housing:	Sheet steel, grey (RAL 7035) (wall) Polycarbonate, grey (RAL 7035) (ceiling, pendulum, bracket)
Frame:	Aluminium, anodized
Display pane:	Light guide panel (display pane) / Polycarbonate (foil, printed)
Type of protection:	IP40 (wall), IP41 (ceiling, pendulum, bracket)

Service life $L_{80B_{20}}$:	50.000 h
Color stability:	3 SDCM
Color temperature:	5.000 K
Color rendering index:	80



SELF-CONTAINED SUPPLY

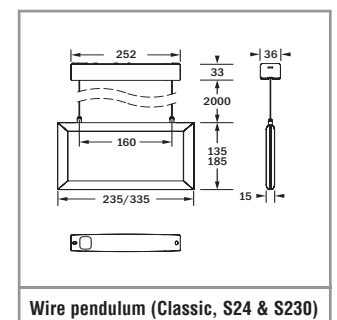
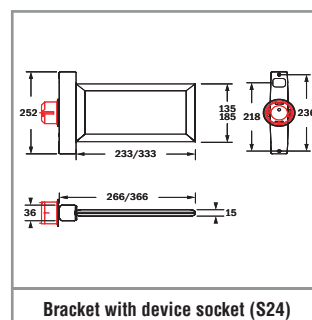
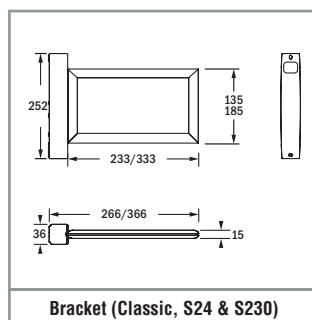
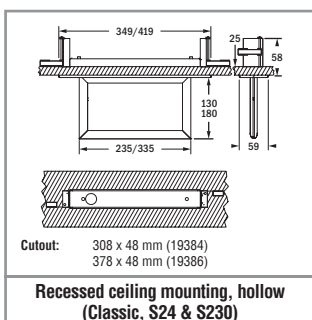
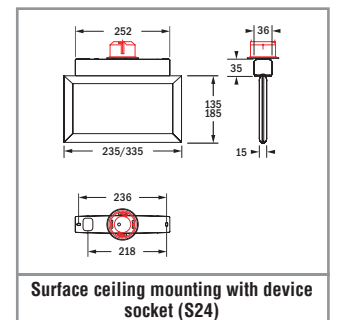
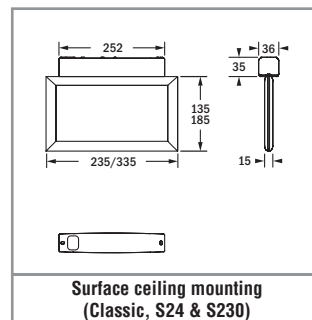
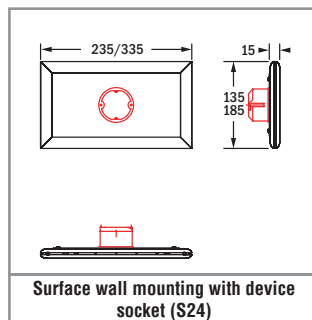
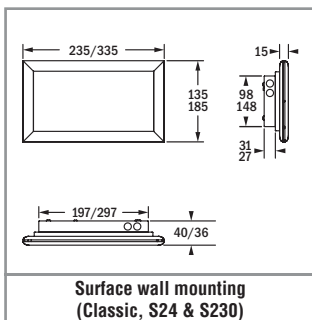
Mains supply:	198 V – 254 V / 50 Hz
Switching:	Maintained and non-maintained
Ambient temperature:	0 °C to +40 °C
Protection class:	I (wall), II (ceiling, pendulum, bracket)

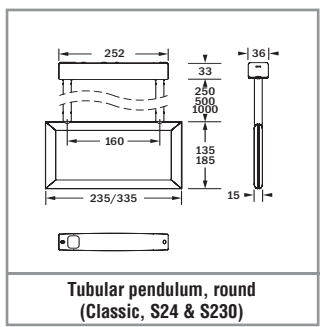
DECENTRAL SUPPLY

Mains supply:	24 V +/- 20 % DC
Battery supply:	24 V +/- 20 % DC
Ambient temperature:	-20 °C to +40 °C
Protection class:	III

CENTRAL SUPPLY

Mains supply:	198 V – 254 V / 50 Hz
Battery supply:	176 V – 276 V
Ambient temperature:	-20 °C to +40 °C
Protection class:	I (wall) II (ceiling, pendulum, bracket)
Mains supply (alt.):	90 V – 254 V / 50/60 Hz
Battery supply (alt.):	90 V – 276 V





CLASSIC SELF-CONTAINED SUPPLY

Autotest Order code	Logica Order code	Logica FM Order code				Autotest	Logica Logica FM	
Surface wall mounting (1-sided escape route indication)								
16707	16709	16711	20 m	16	1 h / 3 h	NiCd 7.2V / 0.75 Ah	NiMH 7.2V / 1.2 Ah	6 VA
16706	16708	16710	30 m	24	1 h / 3 h	NiCd 7.2V / 0.75 Ah	NiMH 7.2V / 1.2 Ah	7 VA
Surface ceiling mounting, bracket (2-sided escape route indication) ¹								
16701	16703	16705	20 m	32	1 h / 3 h	NiMH 7.2V / 0.6 Ah	NiMH 7.2V / 0.6 Ah	8 VA
16700	16702	16704	30 m	48	1 h / 3 h	NiMH 7.2V / 0.6 Ah	NiMH 7.2V / 0.6 Ah	10 VA

SICURO[®] LED[®] DECENTRAL SUPPLY

Sicuro24 Order code			
Surface wall mounting (1-sided escape route indication) ^{2,3}			
32035	20 m	16	1.7 W
32034	30 m	24	2.2 W
Surface ceiling mounting, bracket (2-sided escape route indication) ^{1,2,3}			
32033	20 m	32	2.9 W
32032	30 m	48	4.3 W

SICURO[®] CENTRAL SUPPLY

Sicuro230 Order code				
Surface wall mounting (1-sided escape route indication)				
31035	20 m	16	4.8 VA / 1.8 W	
31034	30 m	24	5.8 VA / 2.5 W	
Surface ceiling mounting, bracket (2-sided escape route indication) ¹				
31033	20 m	32	7.4 VA / 3.5 W	
31032	30 m	48	9.4 VA / 4.7 W	

¹ Please order additional required accessories for recessed ceiling mounting and pendulum separately.

² The required single device sockets, e. g. manufacturer KAISER, for surface wall mounting, surface ceiling mounting and bracket with device socket on walls / ceilings are not included in the scope of delivery. Please provide on site.

Single device socket, for massive wall, depth 46 mm, installation opening 60 mm, color(s) black Manufacturer: KAISER Manufacturer order code: 1056-04	Single device socket, for massive wall, depth 66 mm, installation opening 60 mm, color(s) black Manufacturer: KAISER Manufacturer order code: 1556-04	Single device socket, for massive ceiling (concrete), depth 41 mm, installation opening 60 mm, color(s) green/yellow Manufacturer: KAISER Manufacturer order code: 1255-43	Single device socket, for hollow wall and hollow ceiling, depth 49 mm, mill hole 68 mm, color(s) orange Manufacturer: KAISER Manufacturer order code: 9063-02	Single device socket, for hollow wall and hollow ceiling, depth 62 mm, mill hole 68 mm, color(s) orange Manufacturer: KAISER Manufacturer order code: 9064-02
---	---	--	---	---

³ The required single device sockets with building inspectorate approval of the DIBt, e. g. manufacturer KAISER, for surface wall mounting, surface ceiling mounting and bracket with device socket on fire protection walls / fire protection ceilings are not included in the scope of delivery. Please provide on site.

Single device socket, EI30-EI120, for massive wall, depth 60 mm, installation opening 60 mm, color(s) black/white Manufacturer: KAISER Manufacturer order code: 1564-01	Single device socket, EI30-EI120 and F30-B/F60-B, for hollow wall, depth 44 mm, mill hole 74 mm, color(s) black/white Manufacturer: KAISER Manufacturer order code: 9463-01	Single device socket, EI30-EI120 and F30-B/F60-B, for hollow wall, depth 54.5 mm, mill hole 74 mm, color(s) black/white Manufacturer: KAISER Manufacturer order code: 9464-01	Single device socket, EI30-EI90, for hollow wall, depth 62 mm, mill hole 68 mm, color(s) black/red Manufacturer: KAISER Manufacturer order code: 9464-02	Single device socket, EI30-EI90, for hollow wall, depth 49 mm, mill hole 68 mm, color(s) black/red Manufacturer: KAISER Manufacturer order code: 9463-02
			Single device socket, F30-F90, for hollow ceiling, depth 44 mm, mill hole 74 mm, color(s) black Manufacturer: KAISER Manufacturer order code: 9463-50	Single device socket, F30-F90, for hollow ceiling, depth 54.5 mm, mill hole 74 mm, color(s) black Manufacturer: KAISER Manufacturer order code: 9464-02

Included in scope of delivery		
Order code	Description	
VD 20 m VD 30 m		
16770 16779	Set of escape sign foils 1-sided escape route indication	
16771 16780	Set of escape sign foils 2-sided escape route indication	

Please order escape sign accessories separately		
Order code	Description	
VD 20 m VD 30 m		
16772 16781	Escape sign foil	
16773 16782	Escape sign foil	
16774 16783	Escape sign foil	
16775 16784	Escape sign foil	
16776 16785	Escape sign foil	
16777 16786	Escape sign foil	
16778 16787	Escape sign foil	

Please order accessories separately		
Order code	Description	
VD 20 m VD 30 m		
19384 19386	Recessed mounting set for hollow ceilings	
19380 19380	Tubular pendulum, round, 250 mm	
19381 19381	Tubular pendulum, round, 500 mm	
19382 19382	Tubular pendulum, round, 1.000 mm	
19383 19383	Wire pendulum, shortenable, max. 2.000 mm	
19385 19387	Recessed mounting set for massive ceilings (concrete-cast housing)	