



LUMAX65

Combined general and safety luminaire with high type of protection.
Round luminaire with housing as surrounding frame made of plastic with domed diffuser made of opal plastic. Homogeneous light emission. Special LED board with a large and a small LED circuit for different functions regarding the general and safety lighting.

Special versions with integrated motion detector available.

Versions for surface wall and ceiling mounting

Also deliverable as luminaire for general lighting

MOUNTING TYPES



TECHNICAL DATA

Housing:	Polycarbonate, grey (RAL 9006) Polycarbonate, black (RAL 9011)	Color stability:	3 SDCM
Diffuser:	Polycarbonate, opal	Color temperature:	3.000 K oder 4.000 K
Service life $L_{50}B_{20}$:	50.000 h	Color rendering index:	80



SELF-CONTAINED SUPPLY

Mains supply:	198 V – 254 V / 50 Hz
Switching:	Maintained or non-maintained
Ambient temperature:	LTO: -20 °C to +45 °C Classic: 0 °C to +40 °C
Protection class:	I

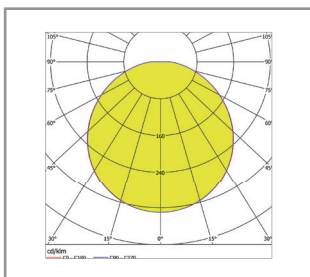
DECENTRAL SUPPLY

Mains supply:	24 V +/- 20 % DC
Battery supply:	24 V +/- 20 % DC
Ambient temperature:	-20 °C to +40 °C
Protection class:	III with connection only to low voltage, I with additional connection to voltages above low voltage

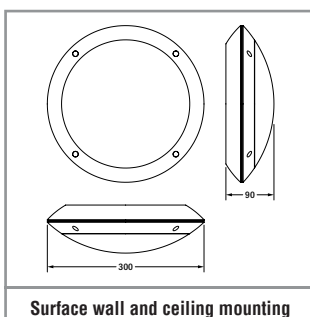
CENTRAL SUPPLY

Mains supply:	198 V – 254 V / 50 Hz
Battery supply:	176 V – 276 V
Ambient temperature:	-20 °C to +40 °C
Protection class:	I
Mains supply (alt.):	90 V – 254 V / 50/60 Hz ⁸
Battery supply (alt.):	90 V – 276 V ⁸

⁸ For order codes
31083, 31087, 31091, 31095, 31201, 31205, 31209, 31213



Light distribution curve



Surface wall and ceiling mounting

Order codes

31086 / 31087 / 31088 / 31089 / 31094 / 31095 / 31096 / 31097 / 32066 / 32068 / 36156 / 36157 / 36158 / 36162 / 36163 / 36164 / 37123 / 37124 / 37125 / 37129 / 37130 / 37131 / 31204 / 31205 / 31206 / 31207 / 31212 / 31213 / 31214 / 31215 / 32121 / 32123 / 37233 / 37234 / 37235 / 37239 / 37240 / 37241	1.500 lm	3.000 K	>80
31082 / 31083 / 31084 / 31085 / 31090 / 31091 / 31092 / 31093 / 32065 / 32067 / 36153 / 36154 / 36155 / 36159 / 36160 / 36161 / 37120 / 37121 / 37122 / 37126 / 37127 / 37128 / 31200 / 31201 / 31202 / 31203 / 31208 / 31209 / 31210 / 31211 / 32120 / 32122 / 37230 / 37231 / 37232 / 37236 / 37237 / 37238	1.500 lm	4.000 K	>80



1.500 lm 3.000 K >80

1.500 lm 4.000 K >80



SELF-CONTAINED SUPPLY

Autotest Order code	Logica Order code	Logica FM Order code	Version	Housing	LED	$\Phi=$ 1 h	$\Phi=$ 3 h	$\Phi=$ 8 h		
Surface wall mounting, surface ceiling mounting ¹										
37123	37124	37125	3K	black	68	278 lm	140 lm	38 lm	2 x LTO 7.2 V / 0.5 Ah	21.5 VA
37120	37121	37122	4K	black	68	278 lm	140 lm	38 lm	2 x LTO 7.2 V / 0.5 Ah	21.5 VA
37129	37130	37131	3K	grey	68	278 lm	140 lm	38 lm	2 x LTO 7.2 V / 0.5 Ah	21.5 VA
37126	37127	37128	4K	grey	68	278 lm	140 lm	38 lm	2 x LTO 7.2 V / 0.5 Ah	21.5 VA
Surface wall mounting, surface ceiling mounting with motion detector ¹										
37233	37234	37235	3K	black	68	278 lm	140 lm	38 lm	2 x LTO 7.2 V / 0.5 Ah	21.5 VA
37230	37231	37232	4K	black	68	278 lm	140 lm	38 lm	2 x LTO 7.2 V / 0.5 Ah	21.5 VA
37239	37240	37241	3K	grey	68	278 lm	140 lm	38 lm	2 x LTO 7.2 V / 0.5 Ah	21.5 VA
37236	37237	37238	4K	grey	68	278 lm	140 lm	38 lm	2 x LTO 7.2 V / 0.5 Ah	21.5 VA

CLASSIC SELF-CONTAINED SUPPLY

Autotest Order code	Logica Order code	Logica FM Order code	Version	LED	$\Phi=$ 1 h	$\Phi=$ 3 h			
Housing black, surface wall mounting, surface ceiling mounting ²									
36156	36157	36158	3K	68	278 lm	190 lm	NiMH 7.2V / 0.6 Ah	NiMH 7.2V / 1.2 Ah	25.5 VA
36153	36154	36155	4K	68	278 lm	190 lm	NiMH 7.2V / 0.6 Ah	NiMH 7.2V / 1.2 Ah	25.5 VA
Housing grey, surface wall mounting, surface ceiling mounting ²									
36162	36163	36164	3K	68	278 lm	190 lm	NiMH 7.2V / 0.6 Ah	NiMH 7.2V / 1.2 Ah	25.5 VA
36159	36160	36161	4K	68	278 lm	190 lm	NiMH 7.2V / 0.6 Ah	NiMH 7.2V / 1.2 Ah	25.5 VA

SICURO[®] CENTRAL SUPPLY

Sicuro230 Order code	Version	Housing	LED	$\Phi=$		
Surface wall mounting, surface ceiling mounting with luminaire monitoring (EÜ), without reduced power in battery operation ⁴						
31086	3K	black	68	1.500 lm	20 VA / 18.5 W	
31082	4K	black	68	1.500 lm	20 VA / 18.5 W	
31094	3K	grey	68	1.500 lm	20 VA / 18.5 W	
31090	4K	grey	68	1.500 lm	20 VA / 18.5 W	
Surface wall mounting, surface ceiling mounting with luminaire monitoring (EÜ) and reduced power in battery operation ⁵						
31087	3K	black	68	278 lm	20 VA / 4.7 W	
31083	4K	black	68	278 lm	20 VA / 4.7 W	
31095	3K	grey	68	278 lm	20 VA / 4.7 W	
31091	4K	grey	68	278 lm	20 VA / 4.7 W	
Surface wall mounting, surface ceiling mounting with circuit monitoring (SÜ), without reduced power in battery operation ⁶						
31088	3K	black	68	1.500 lm	18.5 VA / 17 W	
31084	4K	black	68	1.500 lm	18.5 VA / 17 W	
31096	3K	grey	68	1.500 lm	18.5 VA / 17 W	
31092	4K	grey	68	1.500 lm	18.5 VA / 17 W	
Surface wall mounting, surface ceiling mounting with circuit monitoring (SÜ) and reduced power in battery operation ⁷						
31089	3K	black	68	278 lm	20 VA / 5.4 W	
31085	4K	black	68	278 lm	20 VA / 5.4 W	
31097	3K	grey	68	278 lm	20 VA / 5.4 W	
31093	4K	grey	68	278 lm	20 VA / 5.4 W	

SICURO[®] CENTRAL SUPPLY

Sicuro230 Order code	Version	Housing	LED	$\Phi=$		
Surface wall mounting, surface ceiling mounting with luminaire monitoring (EÜ), without reduced power in battery operation with motion detector ⁴						
31204	3K	black	68	1.500 lm	20 VA / 18.5 W	
31200	4K	black	68	1.500 lm	20 VA / 18.5 W	
31212	3K	grey	68	1.500 lm	20 VA / 18.5 W	
31208	4K	grey	68	1.500 lm	20 VA / 18.5 W	
Surface wall mounting, surface ceiling mounting with luminaire monitoring (EÜ) and reduced power in battery operation with motion detector ⁵						
31205	3K	black	68	278 lm	20 VA / 4.7 W	
31201	4K	black	68	278 lm	20 VA / 4.7 W	
31213	3K	grey	68	278 lm	20 VA / 4.7 W	
31209	4K	grey	68	278 lm	20 VA / 4.7 W	
Surface wall mounting, surface ceiling mounting with circuit monitoring (SÜ), without reduced power in battery operation with motion detector ⁶						
31206	3K	black	68	1.500 lm	18.5 VA / 17 W	
31202	4K	black	68	1.500 lm	18.5 VA / 17 W	
31214	3K	grey	68	1.500 lm	18.5 VA / 17 W	
31210	4K	grey	68	1.500 lm	18.5 VA / 17 W	
Surface wall mounting, surface ceiling mounting with circuit monitoring (SÜ) and reduced power in battery operation with motion detector ⁷						
31207	3K	black	68	278 lm	20 VA / 5.4 W	
31203	4K	black	68	278 lm	20 VA / 5.4 W	
31215	3K	grey	68	278 lm	20 VA / 5.4 W	
31211	4K	grey	68	278 lm	20 VA / 5.4 W	

SICURO[®] DECENTRAL SUPPLY

Sicuro24 Order code	Version	Housing	LED	$\Phi=$	
Surface wall mounting, surface ceiling mounting ³					
32066	3K	black	68	278 lm	4.3 W
32065	4K	black	68	278 lm	4.3 W
32068	3K	grey	68	278 lm	4.3 W
32067	4K	grey	68	278 lm	4.3 W
Surface wall mounting, surface ceiling mounting with motion detector ³					
32121	3K	black	68	278 lm	4.3 W
32120	4K	black	68	278 lm	4.3 W
32123	3K	grey	68	278 lm	4.3 W
32122	4K	grey	68	278 lm	4.3 W

¹ Small LED circuit: with LTO driver module for safety lighting.
Large LED circuit: LED driver for general lighting.

² Small LED circuit: with Classic driver module for safety lighting.
Large LED circuit: LED driver for general lighting.

³ Small LED circuit: with S24 driver module G31445 for safety lighting.
Large LED circuit: LED driver for general lighting.

⁴ Small LED circuit: not used.
Large LED circuit: with S230 module 17382 and LED driver for safety lighting.

⁵ Small LED circuit: with S230 driver module 17380 for safety lighting.
Large LED circuit: LED driver for general lighting.

⁶ Small LED circuit: not used.
Large LED circuit: LED driver for general lighting or safety lighting.

⁷ Small LED circuit: LED driver for safety lighting.
Large LED circuit: LED driver for general lighting.