



DISPOS EVO

Housing in angular design made of sheet steel or stainless sheet steel in universal versions. 1- or 2-sided escape route indication through exchangeable display panes.

Versions for surface wall and ceiling mounting and with additional accessories for recessed ceiling mounting, pendulum and bracket

MOUNTING TYPES



MOUNTING TYPES WITH ACCESSORIES



TECHNICAL DATA

Housing: Sheet steel, white (RAL 9010)
stainless sheet steel, V2A

Display pane: PMMA, printed

Service life $L_{80}B_{20}$: 50.000 h

Color stability: 3 SDCM

Color temperature: 4.000 K

Color rendering index: 80

Optic interface: LIFE, LIFE ECO



Commissioning: For Autotest, operating duration, operating mode PS, monitoring group and test duration are only programmable per app B.connect over smartphone locally on luminaire.

SELF-CONTAINED SUPPLY

Mains supply: 198 V – 254 V / 50 Hz

Switching: Maintained and non-maintained

Ambient temperature: 0 °C to +40 °C

Protection class: I

DECENTRAL SUPPLY

Mains supply: 24 V +/- 20 % DC

Battery supply: 24 V +/- 20 % DC

Ambient temperature: -20 °C to +40 °C

Protection class: III

CENTRAL SUPPLY

Mains supply: 198 V – 254 V / 50 Hz

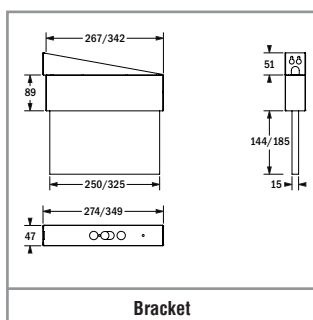
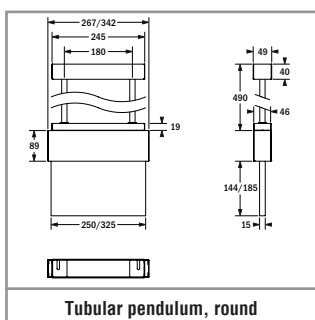
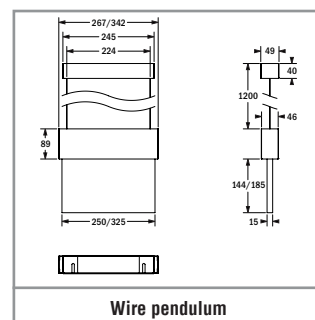
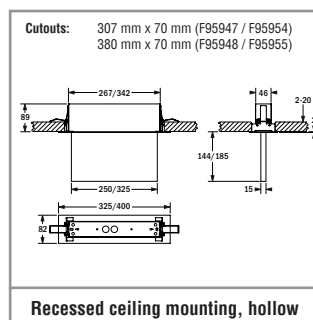
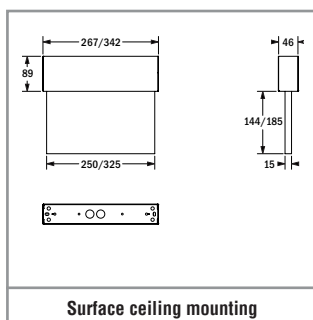
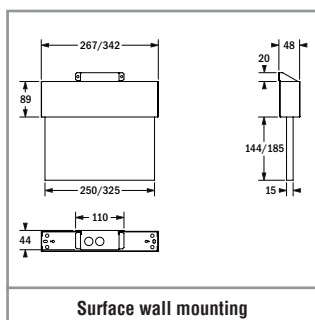
Battery supply: 176 V – 276 V

Ambient temperature: -20 °C to +40 °C

Protection class: I

Mains supply (alt.): 90 V – 254 V / 50/60 Hz

Battery supply (alt.): 90 V – 276 V



LIFE SELF-CONTAINED SUPPLY

10 YEARS GUARANTEE

Autotest / CableCom Order code	Logica Order code	Logica FM Order code					
-----------------------------------	----------------------	-------------------------	--	--	--	--	--

Housing white

Surface wall mounting (1-sided escape route indication), surface ceiling mounting (2-sided escape route indication)¹

37000	37001	37002	22 m	24	1 h / 3 h / 8 h	LIFE 6.4 V / 1.5 Ah	8 VA
37006	37007	37008	30 m	48	1 h / 3 h / 8 h	LIFE 6.4 V / 1.5 Ah	8 VA

Housing V2A

Surface wall mounting (1-sided escape route indication), surface ceiling mounting (2-sided escape route indication)¹

37003	37004	37005	22 m	24	1 h / 3 h / 8 h	LIFE 6.4 V / 1.5 Ah	8 VA
37009	37010	37011	30 m	48	1 h / 3 h / 8 h	LIFE 6.4 V / 1.5 Ah	8 VA

LIFE ECO SELF-CONTAINED SUPPLY

5 YEARS GUARANTEE

Autotest / CableCom Order code	Logica Order code	Logica FM Order code					
-----------------------------------	----------------------	-------------------------	--	--	--	--	--

Housing white

Surface wall mounting (1-sided escape route indication), surface ceiling mounting (2-sided escape route indication)¹

36000	36001	36002	22 m	24	1 h / 3 h / 8 h	LIFE 6.4 V / 1.5 Ah	8 VA
36006	36007	36008	30 m	48	1 h / 3 h / 8 h	LIFE 6.4 V / 1.5 Ah	8 VA

Housing V2A

Surface wall mounting (1-sided escape route indication), surface ceiling mounting (2-sided escape route indication)¹

36003	36004	36005	22 m	24	1 h / 3 h / 8 h	LIFE 6.4 V / 1.5 Ah	8 VA
36009	36010	36011	30 m	48	1 h / 3 h / 8 h	LIFE 6.4 V / 1.5 Ah	8 VA

SICURO[®] DECENTRAL SUPPLY

Sicuro24 Order code			
------------------------	--	--	--

Housing white

Surface wall mounting (1-sided escape route indication), surface ceiling mounting (2-sided escape route indication)¹

32000	22 m	24	2.2 W
32002	30 m	48	4.3 W

Housing V2A

Surface wall mounting (1-sided escape route indication), surface ceiling mounting (2-sided escape route indication)¹

32001	22 m	24	2.2 W
32003	30 m	48	4.3 W

SICURO[®] CENTRAL SUPPLY

Sicuro230 Order code				
-------------------------	--	--	--	--

Housing white

Surface wall mounting (1-sided escape route indication), surface ceiling mounting (2-sided escape route indication)¹

31000	22 m	24	5.8 VA / 2.5 W
31002	30 m	48	9.4 VA / 4.7 W

Housing V2A

Surface wall mounting (1-sided escape route indication), surface ceiling mounting (2-sided escape route indication)¹

31001	22 m	24	5.8 VA / 2.5 W
31003	30 m	48	9.4 VA / 4.7 W

¹ Please order additional required accessories for recessed ceiling mounting, pendulum and bracket separately.

² One-sided escape sign display panes and safety sign panes: Backside untransparent (white).

Two-sided escape sign display panes: Frontside corresponds to designation of arrow direction. Backside transparent (mirrored escape route indication and company logo).

Please order escape sign accessories separately²

Order code	Description	
VD 22 m	VD 30 m	
E16260M	E16128M	Escape sign display pane, down (one-sided)
E16263M	E16132M	Escape sign display pane, up (one-sided)
E16261M	E16129M	Escape sign display pane, right (two-sided)
E16262M	E16130M	Escape sign display pane, left (two-sided)
E16310M	E16318M	Escape sign display pane, right down (two-sided)
E16311M	E16319M	Escape sign display pane, right up (two-sided)
E16312M	E16320M	Escape sign display pane, left down (two-sided)
E16313M	E16321M	Escape sign display pane, left up (two-sided)
-	E16435	F001 safety sign pane fire extinguisher (one-sided)
-	E16436	F002 safety sign pane extinguishing hose (one-sided)
-	E16437	F005 safety sign pane fire detector (one-sided)

Included in scope of delivery

Order code	Description	
VD 22 m	VD 30 m	
F95951	F95951	Holder for surface wall mounting, white
F95958	F95958	Holder for surface wall mounting, V2A

Please order accessories separately

Order code	Description	
VD 22 m	VD 30 m	
F95947	F95948	Recessed mounting set for hollow ceilings, white
F95954	F95955	Recessed mounting set for hollow ceilings, V2A
F95946	F95946	Wire pendulum, max. 1.200 mm, white
F95953	F95953	Wire pendulum, max. 1.200 mm, V2A
F95949	F95950	Bracket, white
F95956	F95957	Bracket, V2A
F95945	F95945	Tubular pendulum, round, 500 mm, white
F95952	F95952	Tubular pendulum, round, 500 mm, V2A
F95959	F95960	Recessed mounting set for massive ceilings (concrete-cast housing)