



LLL EXTREME

High type of protection and high impact resistance. Housing made of diecast aluminium in square shape. High-power LEDs with light guidance through special lenses for asymmetrical light distribution (illumination of escape routes with 1 lx) or for symmetrical light distribution (illumination of areas with 0.5 lx). Explosion-protected for zone 2 (II 3G Ex nA IIB T4 Gc) and zone 22 (II 3D Ex tc IIIC T80°C Dc). Extremely resistant against mechanical and chemical stress.

Versions for surface wall and ceiling mounting, excluding swivelable wall holder and with additional accessories for recessed wall and ceiling mounting and surface wall mounting with swivelable wall holder

MOUNTING TYPES



MOUNTING TYPES WITH ACCESSORIES



TECHNICAL DATA

Housing:	Diecast aluminium, grey (RAL 7040)	Color stability:	3 SDCM
Lens:	PMMA, transparent	Color temperature:	4.000 K
Service life $L_{80B_{20}}$:	50.000 h	Color rendering index:	80



SELF-CONTAINED SUPPLY

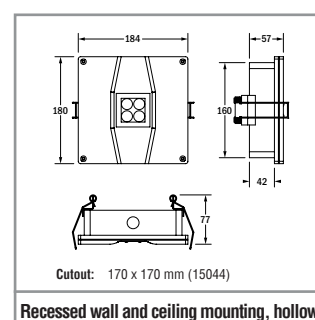
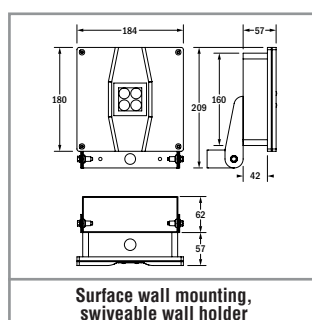
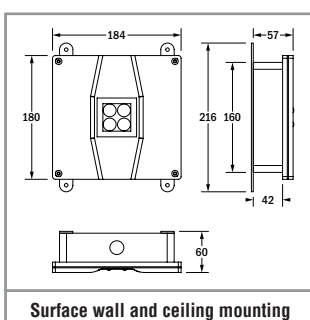
Mains supply:	198 V – 254 V/50 Hz
Switching:	Maintained and non-maintained
Ambient temperature:	-20 °C to +45 °C
Protection class:	I

DECENTRAL SUPPLY

Mains supply:	24 V +/- 20 % DC
Battery supply:	24 V +/- 20 % DC
Ambient temperature:	-20 °C to +40 °C
Protection class:	III with connection only to low voltage, I with additional connection to voltages above low voltage

CENTRAL SUPPLY

Mains supply:	198 V – 254 V/50 Hz
Battery supply:	176 V – 276 V
Ambient temperature:	-20 °C to +40 °C
Protection class:	I





SELF-CONTAINED SUPPLY

Autotest Order code	Logica Order code	Logica FM Order code	LED	$\Phi =$ 1 h	$\Phi =$ 3 h	$\Phi =$ 8 h		S~
Surface wall mounting, surface ceiling mounting, for escape route and area illumination with 5 changeable lenses ¹								
19370	19370+15036 ²	19370+15047 ²	4	1.155 lm	–	–	2 x LTO 4.8 V / 1.2 Ah	12.5 VA
19370-3H	19370+15036 ²	19370+15047 ²	4	–	385 lm	–	2 x LTO 4.8 V / 1.2 Ah	12.5 VA
19370-8H	19370+15036 ²	19370+15047 ²	4	–	–	144 lm	2 x LTO 4.8 V / 1.2 Ah	12.5 VA

SICURO[®] LED DECENTRAL SUPPLY

Sicuro24 Order code	LED	$\Phi =$	P =
Surface wall mounting, surface ceiling mounting, for escape route and area illumination with 5 changeable lenses ¹			
32083	4	1.100 lm	7.4 W

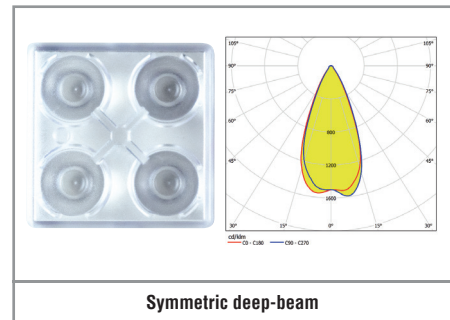
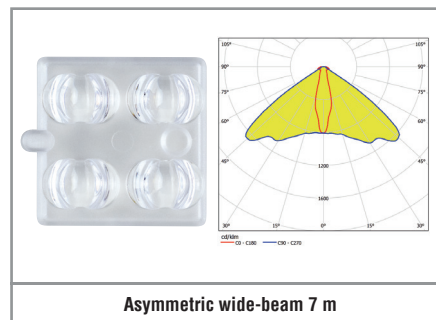
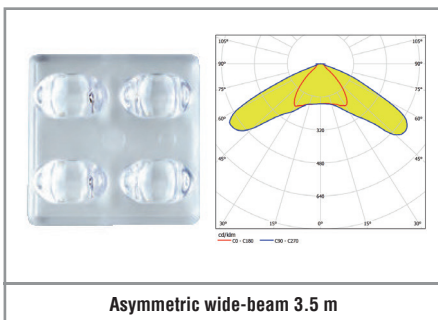
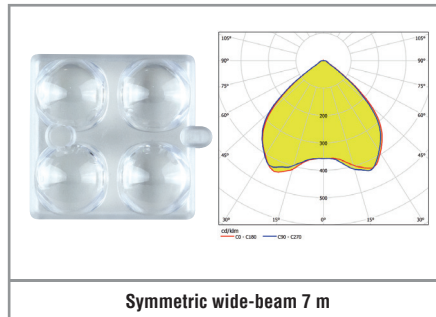
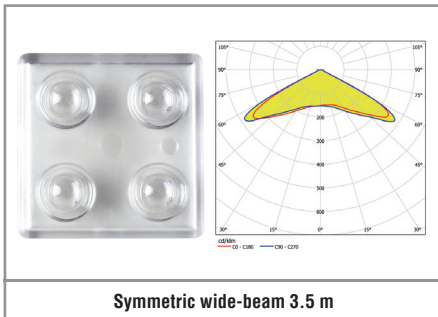
SICURO[®] LED CENTRAL SUPPLY

Sicuro230 Order code	LED	$\Phi =$	S~	P =
Surface wall mounting, surface ceiling mounting, with luminaire monitoring (EÜ) , for escape route and area illumination with 5 changeable lenses ¹				
31112	4	1.400 lm	24.1 VA / 11.2 W	
Surface wall mounting, surface ceiling mounting, with circuit monitoring (SÜ) , for escape route and area illumination with 5 changeable lenses ¹				
31113	4	1.400 lm	22.2 VA / 10.7 W	

¹ Please order additional accessories for recessed wall and ceiling mounting and surface wall mounting with swiveable wall holder separately.

² Please order Logica interface (15036) and Logica FM interface (15047) separately.

³ 1 piece per luminaire required.



Please order accessories separately

Order code	Description
15043	Wall holder, swiveable (+110° / -47°) ³
15044	Recessed mounting set for hollow walls / hollow ceilings

Please order further accessories separately (only for LTO)

Order code	Description
15036	Logica interface
15047	Logica FM interface (IP65, luminaire attachment)
15038	DALI interface (for connection to DALI central of the general or safety lighting)