



PRATICA MODULA MATRIX

Multifunctional safety luminaire with high type of protection and high impact resistance. Housing with angular contours and clear polycarbonate cover. The light distribution takes place variable through desired setting of a LED matrix (in 5 LED groups), which is equipped with special lenses. Overall 4 light distributions are at choice for different applications: escape route illumination for wall mounting / area illumination for wall mounting / escape route and area illumination for ceiling mounting / deep-beam area illumination for ceiling mounting. Change of light distribution, without exchange of LED illuminants and without adaptation of LED lenses, directly over a button manually on the luminaire or by programming. Installation through novel mounting adapter with integrated water level, which can also be used as junction box for all incoming and outgoing cables. The mounting adapter is only used for the connection to an integrated plug fixture as well as for accommodation of optional accessories. The actual luminaire can consequently be configured and (in battery operation) programmed comfortable on a work surface and only needs finally to be latched onto the mounting adapter with the integrated plug fixture.

Versions for surface wall and ceiling mounting and with additional accessories for recessed wall and ceiling mounting, bracket and chain/wire

MOUNTING TYPES



MOUNTING TYPES WITH ACCESSORIES



TECHNICAL DATA

Housing:	Polycarbonate, white (RAL 9003)
Cover:	Polycarbonate, transparent
Reflector:	Polycarbonate, white (RAL 9003)
Type of protection:	see table regarding type of protection (IP)
Service life L₈₀B₂₀:	50.000 h
Color stability:	3 SDCM

Color temperature:	4.000 K
Color rendering index:	80
Bluetooth interface:	LIFE



Commissioning: For Autotest, operating duration 8h, operating mode PS, monitoring group and test duration are only programmable per app B.connect over smartphone locally on luminaire.

SELF-CONTAINED SUPPLY

Mains supply:	198 V – 254 V/50 Hz
Switching:	Maintained and non-maintained
Ambient temperature:	-10 °C to +45 °C
Protection class:	II

DECENTRAL SUPPLY

Mains supply:	24 V +/- 20 % DC
Battery supply:	24 V +/- 20 % DC
Ambient temperature:	-20 °C to +40 °C
Protection class:	III with connection only to low voltage, II with additional connection to voltages above low voltage

CENTRAL SUPPLY

Mains supply:	198 V – 254 V/50 Hz
Battery supply:	176 V – 276 V
Ambient temperature:	-20 °C to +40 °C
Protection class:	II

Variant

LIFE

Sicuro24 / Sicuro230



250 lm

1.500 lm

FORMULAS FOR CALCULATION OF THE RESPECTABLE LIGHT FLUX IN MAINS AND BATTERY OPERATION

Ideational light flux of luminaire in mains operation [%] = 100 %

Respectable light flux of luminaire in mains operation [lm] =

$$\text{Respectable light flux of luminaire in mains operation [lm]} \times \frac{\text{Ideational light flux of luminaire in mains operation [lm]}}{100\%}$$

Ideational light flux of luminaire in battery operation [%] = 100 %

Respectable light flux of luminaire in battery operation [lm] =

$$\text{Respectable light flux of luminaire in battery operation [lm]} \times \frac{\text{Ideational light flux of luminaire in battery operation [lm]}}{100\%}$$

Autotest / CableCom Order code	Logica Order code	Logica FM Order code	LED	$\Phi=$ 3 1 h	$\Phi=$ 3 3 h	$\Phi=$ 3 8 h		S~
Surface wall mounting, surface ceiling mounting for escape route and area illumination with adjustable / programmable LED matrix ¹								
18821	18821+15056 ²	18821+15057 ²	24	1.000 lm	350 lm	125 lm	LIFE 6.4 V / 1.5 Ah	14.9 VA
18831	18831+15056 ²	18831+15057 ²	24	2.000 lm	700 lm	250 lm	2x LIFE 6.4 V / 1.5 Ah	16.9 VA
18841	18841+15056 ²	18841+15057 ²	24	2.700 lm	1.000 lm	400 lm	2x LIFE 6.4 V / 2 Ah	20.5 VA

SICURO DECENTRAL SUPPLY

Sicuro24 Order code	LED	$\Phi=$ 3	P=
Surface wall mounting, surface ceiling mounting for escape route and area illumination with adjustable / programmable LED matrix ¹			
17923+15059 ⁴	24	750 lm	9 W
		1.500 lm	13 W

¹ Please order additional required accessories for recessed wall and ceiling mounting, bracket and chain/wire separately.
² Please order Logica interface (15056) and Logica FM interface (15057) separately.
³ Ideational light flux of 100 %. Corresponds to no adjustable / programmable value.

SICURO CENTRAL SUPPLY

Sicuro230 Order code	LED	$\Phi=$ 3	S~	P=
Surface wall mounting, surface ceiling mounting, with single monitoring (EÜ) , for escape route and area illumination with adjustable / programmable LED matrix ¹				
17923+15060 ⁵	24	1.500 lm	22.6 VA / 12.9 W	
Surface wall mounting, surface ceiling mounting, with circuit monitoring (SÜ) , for escape route and area illumination with adjustable / programmable LED matrix ¹				
17923	24	1.500 lm	20 VA / 11.4 W	

⁴ Please order S24 conversion set with high mounting adapter (15059) separately. Light flux/power programmable over S24 station.
⁵ Please order S230 conversion set with high mounting adapter (15060) separately.
⁶ Only with use of back entries with respective gaskets (M16).

$\Phi\sim$ / $\Phi=$ Respectable light flux: 38 %

MATRIX: 03

Escape route, wide-beam, for wall mounting

$\Phi\sim$ / $\Phi=$ Respectable light flux: 75 %

MATRIX: 06

Escape route or area, wide-beam, for ceiling mounting

$\Phi\sim$ / $\Phi=$ Respectable light flux: 75 %

MATRIX: 06

Escape route or area, wide-beam, for ceiling mounting

$\Phi\sim$ / $\Phi=$ Respectable light flux: 82 %

MATRIX: 09

Area, wide-beam, for wall mounting

$\Phi\sim$ / $\Phi=$ Respectable light flux: 83 %

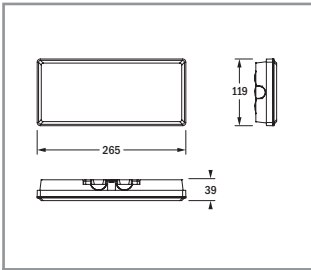
MATRIX: 09

Area, deep-beam, for ceiling mounting

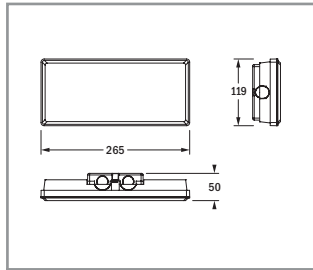
Front side of frame bezel points to wall or to ceiling for surface mounting of luminaire – sideward entries covered

Back side of frame bezel is installed safely and quickly with click-closures on back side of luminaire

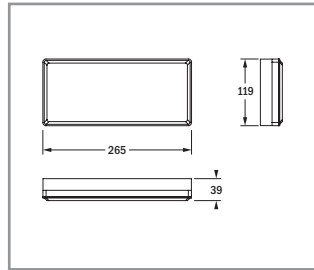
Frame bezel in scope of delivery as design element (18598)



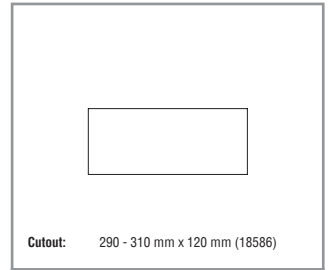
Surface wall and ceiling mounting, flat mounting adapter, without 18598



Surface wall and ceiling mounting, high mounting adapter, without 18598



Surface wall and ceiling mounting, flat mounting adapter, with 18598

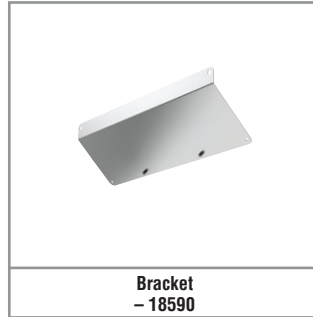


Cutout: 290 - 310 mm x 120 mm (18586)

Recessed wall and ceiling mounting, hollow, flat / high mounting adapter



Lug set chain / wire - 3723



Bracket - 18590



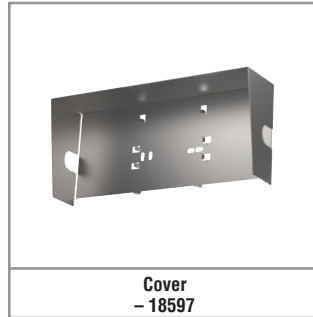
Bracket - 18585



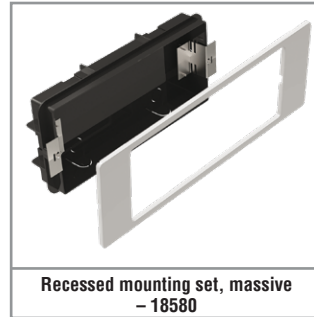
Mounting angles light band mounting - 18587



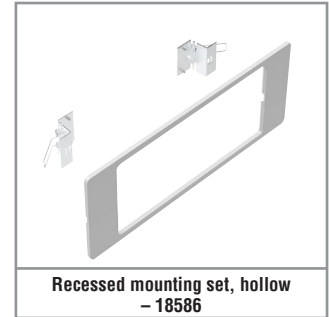
Adapter light band mounting - 4319



Cover - 18597



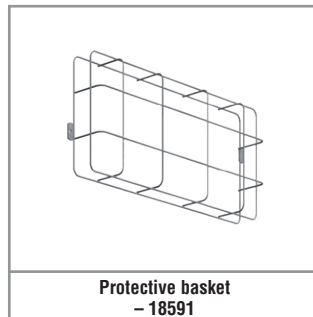
Recessed mounting set, massive - 18580



Recessed mounting set, hollow - 18586



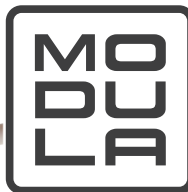
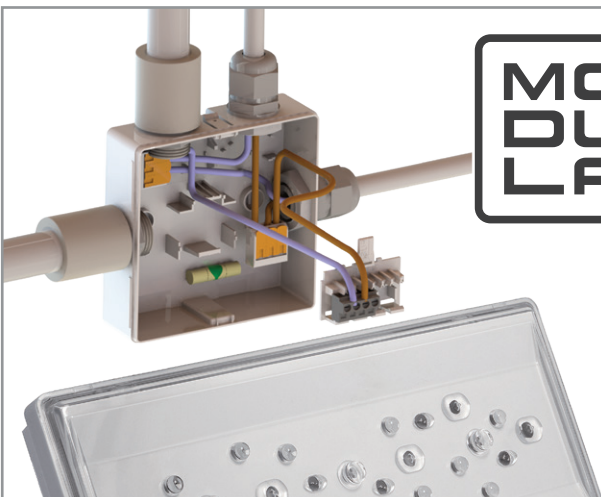
Logica / Logica FM / DALI interface - 15056, 15057, 15058



Protective basket - 18591



S24 / S230 conversion set - 15059, 15060



THE HIGH MOUNTING ADAPTER FROM THE SCOPE OF DELIVERY IS COMPATIBLE WITH ALL LUMINAIRES OF THE MODULA SERIES AND WAS DEVELOPED FOR THE ON-FINERY MOUNTING

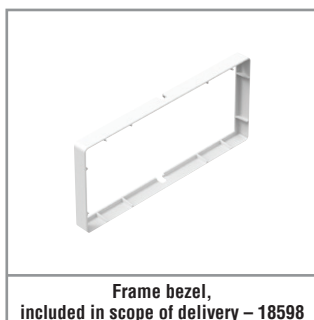
THE INSTALLATION TIMES ARE REDUCED BY MORE THAN 50 % PER LUMINAIRE!

Thanks to the MODULA system, the internal wiring and all settings are enormously simplified and accelerated. A variety of entries ensures highest flexibility regarding the cable laying. Through additional plug terminals, all wires can be bundled and routed to the preinstalled terminal block. Integrated water level.





Set flat / high mounting adapter,
included in scope of delivery – 18589



Frame bezel,
included in scope of delivery – 18598

Please order accessories separately

Order code	Description
3723	Lug set for chain and wire mounting
18590	Bracket, sheet steel, galvanized, white, 45° luminaire tilt, not adjustable
18585	Bracket, sheet steel, galvanized, white
18587	Mounting angles for light band mounting
4319	Adapter (electrical) for light band mounting, 3-phase
18597	Cover, stainless sheet steel, for wall mounting with installation in exterior area as additional protection against rain
18580	IP42 recessed mounting set for massive walls and massive ceilings (concrete-cast housing), including frame bezel, white (overpaintable)
18599	IP65 upgrade set for 18580, including frame bezel, white (overpaintable)
18586	Recessed mounting set for hollow walls and hollow ceilings, including frame bezel, white (overpaintable)
15056	Logica interface, only for LIFE
15057	Logica FM interface, only for LIFE
15058	DALI interface, only for LIFE (for connection to DALI central of the general and safety lighting)
18591	Protective basket (only for surface wall or ceiling mounting)
15059	S24 conversion set with high mounting adapter, only for S24
15060	S230 conversion set with high mounting adapter, only for S230

Included in scope of delivery

Order code	Description
18589	Set with flat and high mounting adapter
18598	Frame bezel, polycarbonate, white (as design element)

TYPE OF PROTECTION (IP)

achieved type of protection	used mounting adapter	accomplished installation without accessories
IP40	flat	sideward breakable entries (2x 15x7 mm and 2x 15x10 mm) used
IP40	flat	backward drillable entries (2x max. 10 mm Ø) used
IP65	flat	backward entries (2x M16) with respective gaskets used
IP65	high	sideward entries (6x M20) or backward entries (2x M20) with respective cable glands used
achieved type of protection	used mounting adapter	accomplished installation with accessories
IP40 ^e	flat	4319
IP42 ^e	flat	3723 / 18590 / 18585 / 18587 / 18580 / 18586
IP65	high	3723 / 18590 / 18597 / 18580 together with 18599 / 15059 / 15060