



Tula

Exit sign luminaire and combined exit sign luminaire and emergency luminaire: Casing has a flat design with convex light-emitting surface and an opal insert. Single or double-sided escape route signage is provided thanks to self-adhesive films. In the combined exit sign luminaire and emergency luminaire version, additional high-power LED with lighting control through special lenses for asymmetrically-emitted light distribution (illumination of paths with 1 lx), or for symmetrically emitted light distribution (illumination of surfaces with 0.5 lx).

Versions for wall mounting or with additional accessories for ceiling mounting or wire or rod suspension mounting and mounting on brackets.



Mounting types



Mounting types with accessories



Technical data

Mounting options:
surface wall mounting, surface ceiling mounting, suspension, bracket suspension

Body:
sheet steel, grey (RAL 9006)

Cover:
methacrylate, opal

Decentralized supply

Protection class: III

Mains supply:
24 V +/- 20% DC

Battery supply:
24 V +/- 20% DC

Ambient temperature:
-20 to +40 °C

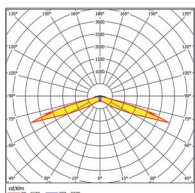
Central supply

Protection class: I

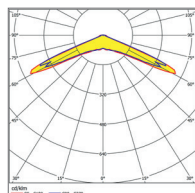
Mains supply:
198V-254V/50Hz

Battery supply:
EVG: 110V - 276V

Sleb/Alog: 176V - 276V
Ambient temperature:
-20 to +40 °C



asymmetric wide beam



symmetric wide beam

Order codes

Decentralized supply / Central supply

SICURO S24	[EVG]	[SLEB]	[ALOG]						
-------------------	-------	--------	--------	--	--	--	--	--	--

Surface wall mounting for single faced indication¹

T93100-S24	T93100E	T93100S	T93100A	23m	24	1.6W	2.2W	5.0VA / 3.0W
T93102-S24	T93102E	T93102S	T93102A	32m	48	3.2W	4.3W	7.0VA / 5.4W

Surface wall mounting for single faced indication, escape route and illumination of areas with 3 changeable lenses

T93106-S24	T93106E	T93106S	T93106A	32m	48 + 1	Escape route lighting 3.2W + 2.5W 218lm Illumination of areas 3.2W + 2.5W 238lm	4.3W + 3.8W	48LEDs: 7.0VA / 5.4W 1 LED: 10.0VA / 5.0W
-------------------	----------------	----------------	----------------	-----	--------	--	-------------	--

Surface ceiling mounting, suspension, bracket suspension for double faced indication¹

T93101-S24	T93101E	T93101S	T93101A	23m	24	1.6W	2.2W	5.0VA / 3.0W
T93103-S24	T93103E	T93103S	T93103A	32m	48	3.2W	4.3W	7.0VA / 5.4W

Surface ceiling mounting for double faced indication escape route and illumination of areas with 3 changeable lenses¹

T93108-S24	T93108E	T93108S	T93108A	32m	48 + 1	Escape route lighting 3.2W + 2.5W 218lm Illumination of areas 3.2W + 2.5W 238lm	4.3W + 3.8W	48LEDs: 7.0VA / 5.4W 1 LED: 10.0VA / 5.0W
-------------------	----------------	----------------	----------------	-----	--------	--	-------------	--

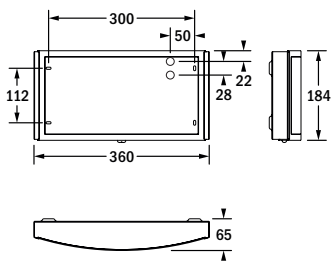
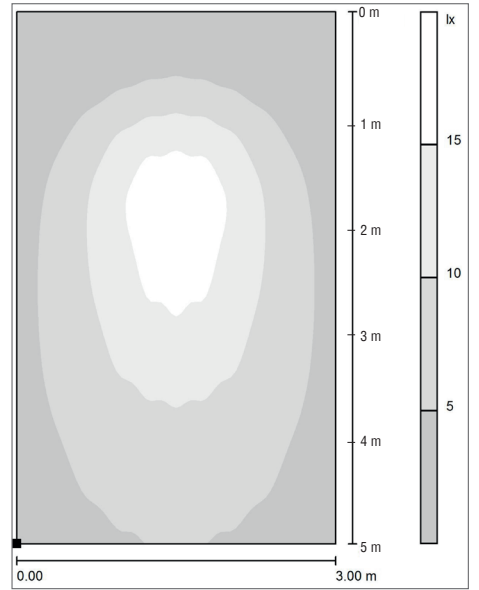
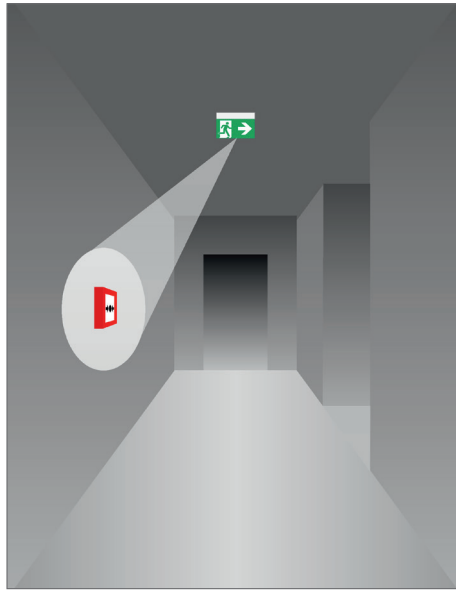
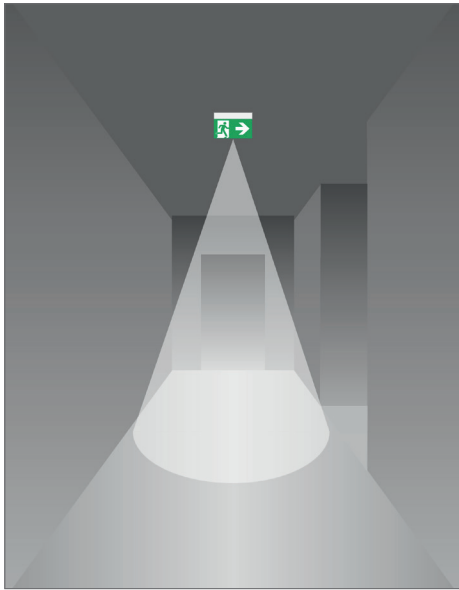
¹ For surface mounting and all suspended versions, please order required accessories separately

Please order mounting accessories separately

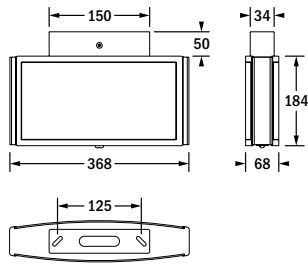
Order code	Description
F95109PK	Adaptor for ceiling mounting
F95109PR	Suspension rod: 500 mm
F95109PS	Wire suspension: max. 1200 mm
F95109P	Bracket suspension
F95815	Asymmetrical lens for surface / recessed ceiling mounted luminaires (area lighting) for illumination of the safety devices with 5lx

Fitting supplied complete with

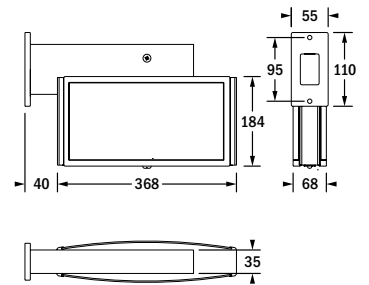
Order code	Description	
VD 23m VD 31m		
F15337MU F15338MU	Exit sign film	
F15337MR F15338MR	Exit sign film	
F15337ML F15338ML	Exit sign film	
E16625 E16626	Opal plastic pane	



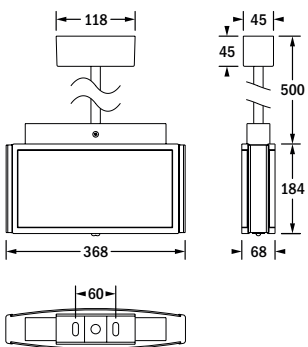
surface wall mounting



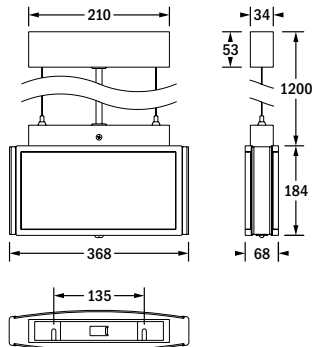
surface ceiling mounting



bracket suspension



suspension rod



wire suspension