



GENERAL CHARACTERISTICS

Equivalent Power* 1x 70, 1x 150 W

Power supply Universal Multi Voltage
93–265 V_{AC} 50/60 Hz
176–250 V_{DC}

Standard EN 60598-1, EN 60598-2-2,
EN 60598-2-22 (fundamental
requirements), EN 62471

Protection grade IP40, IP20

Working temp. -20 °C ÷ +40 °C

Mounting recessed in false ceilings

Housing Polyester powder coated die-cast
aluminium RAL 9003

Louvre white PC with high reflectance (70°
supplied, 16°, 24° and 40° mirror
finished aluminium to be ordered
separately)

Diffuser Toughened glass 3 mm thick

Driver SELV electronic SD (cos $\varphi \geq 0.97$)
Electronic with intelligent dimming

MTFB Control gear** 80 000 h

Luminous flux 60 000 h (1x 150 W) (L80B20)

maintenance** 70 000 h (1x 70 W) (L80B20)

Colour deviation 3 SDCM

* Equivalent power for comparison with metal halide fixtures

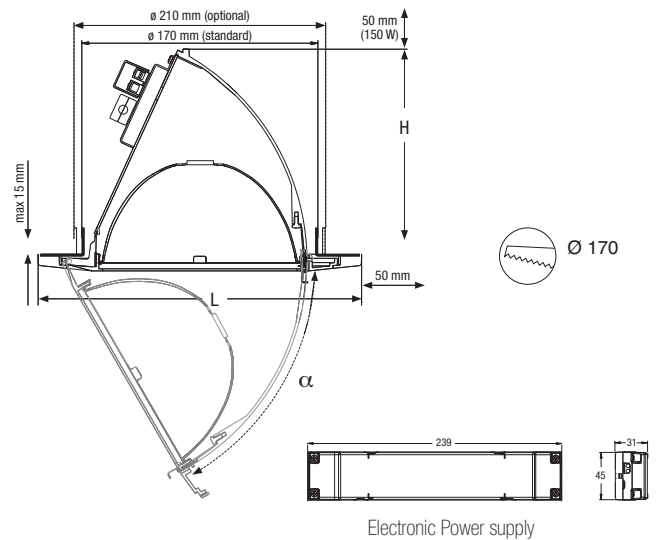
** At environmental reference temperature of 25 °C

D170/1150 LED adjustable

Downlight

Die-cast aluminium spotlight with high-efficiency LED source, white powder coated. Power supply box separate from the fixture for greater mounting flexibility and better heat dissipation. Quick coupling connection terminal board. White louvre with very high reflectance and complex geometry for a high light output (>97%), with highly transparent toughened glass. Optics adjustable through 345° and tilting with maximum inclination 60°.

An additional accessory is available for lighting the LED source of the device in the event of a black-out and an optional nocturnal lamp with lenticular optic for maximizing lighting on the ground. The adjustable DWL LED has been designed specifically for retail lighting, where it is essential to enhance the items on display. **Due to this particular feature it does not offer dimming with an AutoDimmer Sensor.**



Power* W	• Dimensions (mm) •					α max.	Weight max. kg
	L	A	B	C	H		
1x 70	233	45	239	31	150	60°	2.3
1x 150	233	45	239	31	150	60°	2.3

Accessories

to be ordered separately

Order code	Description
1233	LOUVRE 16° DWL OR
1234	LOUVRE 24° DWL OR
1235	LOUVRE 40° DWL OR
14120	CONTROL GEAR 5 LED
14121	1 LED NOCTURNAL MODULE

SPECIAL VARIANTS: COLOUR TEMPERATURE ON REQUEST, COLOUR RENDERING ≥ 90
Contact the Beghelli sales network

Building automation

to be ordered separately

Order code	Description
20102	BUILDING AUTOMATION CENTRAL UNIT
20124	BUILDING AUTOMATION CENTRAL UNIT WIFI
20104	2 INPUT INTERFACE – RADIO TRANSMITTER
15022	BUILDING AUTOMATION RADIO MODULE
15024	DALI MODULE
15034	1-10V MODULE

INVERTER	EMERGENCY WITH LED INVERTER		TR	AT	LG	LGFM
	19358	INVERTER PLUG&LIGHT LED SE/SA 1H 20-60V	to be ordered separately			
	19359	INVERTER PLUG&LIGHT LED SE/SA 3H 20-60V	to be ordered separately			
	19364	INV LED IP65 AT/LG 123H (addressable)	to be ordered separately			
	19365	INV LED IP65 LGFM 123H (addressable)	to be ordered separately			
	RA02***	AUTORIPARA INVERTER BATTERY 7.2V 1.7Ah	to be ordered separately			

***Contact the Beghelli sales network for availability

DOMOTIC RADIO MODULE

1÷10V MODULE

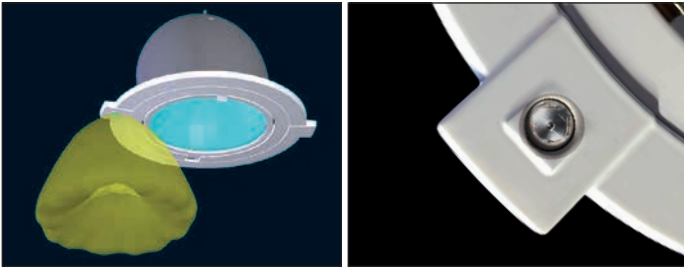
DALI MODULE

PLUG&LIGHT MODULE

OPTIONAL MODULES TO EXTEND BEGHELLI SD TO RADIO CONTROL OR DALI / 1-10V SYSTEMS AND EMERGENCY



MOUNTING WITH NOCTURNAL/EMERGENCY LAMP



- 14121** 1 LED NOCTURNAL MODULE to be ordered separately
- 14120** 5 LED CONTROL GEAR to be ordered separately

LOUVRE 16°, 24°, 40°



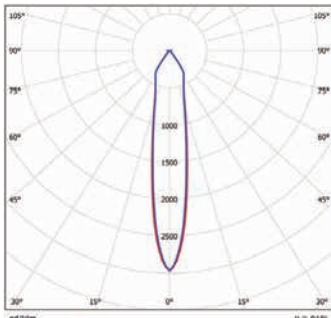
- 1233** LOUVRE 16° DWL OR to be ordered separately
- 1234** LOUVRE 24° DWL OR to be ordered separately
- 1235** LOUVRE 40° DWL OR to be ordered separately

Efficiency and dimming

The increase in luminous efficacy (lm/W) and the useful life of the device may vary significantly according to the degree to which it is dimmed. Assuming an average level of 50% of the luminous flux, the following results are obtained with the D170/1150 LED:

- Dimming** **50 %**
- Device duration** **+40 %**
- Luminous efficiency** **+15 %**

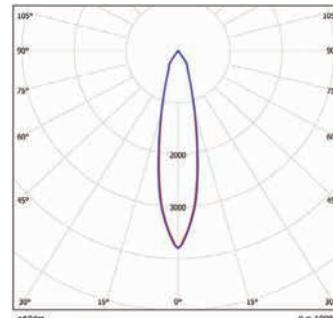
OPTICS SUPPLIED



I max 70w* = 10 100 Cd / I max 150w* = 18 700 Cd

Beam width 16°

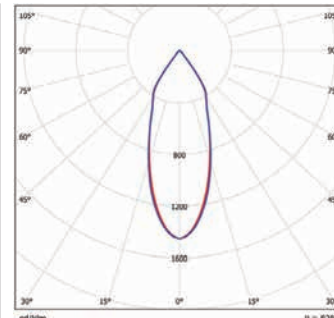
Distance	Diameter	Luminosity
0.5 m	Ø 0.16 m	40 338 lx
1.0 m	Ø 0.32 m	10 084 lx
1.5 m	Ø 0.49 m	4 482 lx
2.0 m	Ø 0.65 m	2 521 lx
2.5 m	Ø 0.81 m	1 614 lx
3.0 m	Ø 0.97 m	1 120 lx



I max 70w* = 10 100 Cd / I max 150w* = 18 700 Cd

Beam width 24°

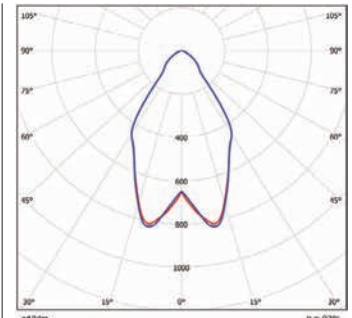
Distance	Diameter	Luminosity
0.5 m	Ø 0.20 m	40 846 lx
1.0 m	Ø 0.40 m	10 212 lx
1.5 m	Ø 0.59 m	4 538 lx
2.0 m	Ø 0.79 m	2 553 lx
2.5 m	Ø 0.99 m	1 634 lx
3.0 m	Ø 1.19 m	1 135 lx



I max 70w* = 4 950 Cd / I max 150w* = 9 150 Cd

Beam width 40°

Distance	Diameter	Luminosity
0.5 m	Ø 0.34 m	19 774 lx
1.0 m	Ø 0.68 m	4 944 lx
1.5 m	Ø 1.02 m	2 197 lx
2.0 m	Ø 1.35 m	1 236 lx
2.5 m	Ø 1.70 m	791 lx
3.0 m	Ø 2.04 m	549 lx



I max 70w* = 2 200 Cd / I max 150w* = 4 100 Cd

Beam width 70°

Distance	Diameter	Luminosity
0.5 m	Ø 0.65 m	8 826 lx
1.0 m	Ø 1.30 m	2 207 lx
1.5 m	Ø 1.95 m	981 lx
2.0 m	Ø 2.60 m	552 lx
2.5 m	Ø 3.25 m	353 lx
3.0 m	Ø 3.90 m	245 lx

D170/1150 LED adjustable

SmartDriver

Power* W	Order code	Description	LED Power W	Colour Temp. K	Colour rendering	Power consumption max. W	N°LEDs	Flux of LEDs lm (Tj=25°C)	Flux of fixture lm	lm/W	Energy Class	Packaging
1× 70	D170LORS	DWL LED 1x70 OR INC SD 3K	29	3 000	>80	34	1 (COB)	4 000	3 400	100	A++	1
1× 150	D1150LORS	DWL LED 1x150 OR INC SD 3K	50	3 000	>80	55(50***)	1 (COB)	6 500	5 500	100	A++	1

*** The power consumption has an auto derating to the power indicated in parenthesis if the product is powered by voltage less than 110 V_{AC}.