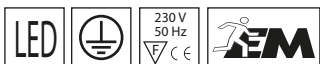


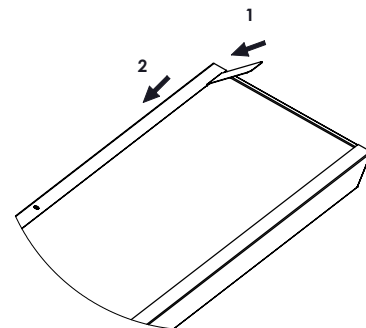
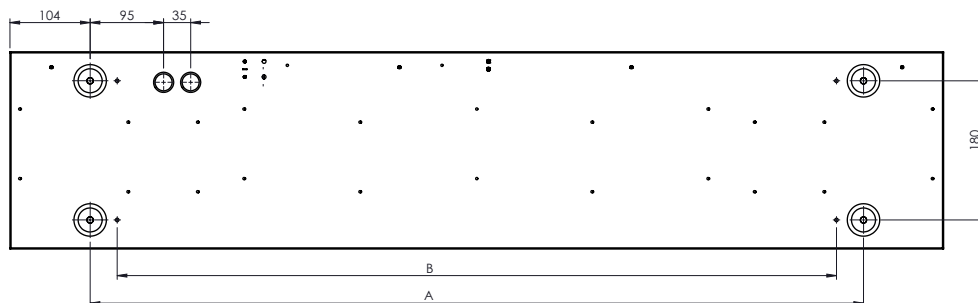
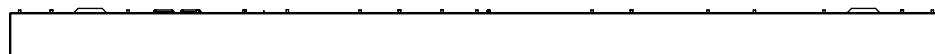
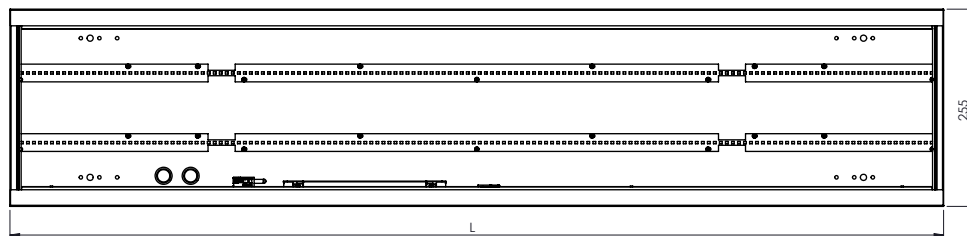
# Instruction manual



BEGHELLI - ELPLAST, a.s.  
 Elišky Junkové 798/6  
 642 00 Brno - Bosonohy CZ  
 Tel.: +420 531 014 111 Fax:  
 +420 531 014 210  
 beghelli@beghelli.cz



## A82-1051, A82-1054



**COVER REMOVAL**

| CODE     | L    | A    | B    |
|----------|------|------|------|
| A82-1051 | 1207 | 1000 | 930  |
| A82-1054 | 1507 | 1300 | 1230 |

**MOUNTING:**

Remove cover before commencing the installation.  
 For removal use the packaged tool and see image above for instructions.  
 Luminaire is attached to the ceiling via 4 holes, with distance A.  
 Holes on distance B are used for mounting of wire suspension.  
 Use the 2 holes with cable gland as cable entrance.

**TECHNICAL PARAMETERS:**

Power supply: 230V, 50Hz  
 Source: LED  
 Degree of protection: IP 20  
 Electrical accident protection class: I  
 Suitable for direct mounting onto a normally inflammable basis – F: ano  
 The luminaire satisfies requirements of all standards in force

**WARNING:**

- Check whether the mains specification satisfies the data mentioned on a luminaire plate before connecting it to the mains.
- Contact the customer service authorised centre for replacement of batteries and for repairs, and insist on using original spare parts only. Not satisfying these instructions could result in loss of luminaire safety or in loss of warranty.
- This luminaire should only be used for a purpose for which it was manufactured. Any other usage shall be assumed to be unsuitable and therefore dangerous. The manufacturer bears no responsibility for any injury caused to persons or animals or for property damages caused by improper, faulty or inadequate usage.
- A luminaire must be disconnected from the mains before any interference with a luminaire, service or maintenance. An expert person, in terms of valid regulations concerning the competence to activities, should only perform these actions.
- The luminaire may only be connected to the mains, whose installation and protection satisfies standards in force.

**WARRANTY:**

All products of the company Beghelli - Elplast, a.s. are made of the highest quality materials, thoroughly tested and guaranteed by the manufacturer to be free of defects in terms of existing legislative regulations. This warranty becomes invalid if mounting is not executed according to the instruction manual, the luminaire is damaged or modified or repaired by an unauthorised service centre of the company Beghelli - Elplast, a.s.  
 The product cannot be disposed as unsorted municipal waste. It must be collected separately to prevent negative environmental impacts. In accordance with the procedures of Directive 2012/19/EU and relevant national laws and regulations adopted pursuant to this Directive on the disposal of waste at the end of the life cycle of the product, any violation is sanctioned by law. Please inform yourself about the local separate collection system for electrical and electronic products.

