

Acciaio Emergency LED

Emergency light

Acciaio Emergency LED is the answer where strong luminaires are required for high risk applications. The steel body and the glass diffuser offer excellent mechanical strength (IK09) and protection against aggressive chemical agents. In the industrial context, it is perfect for installations in explosive atmosphere environments created by alterations in gassy substances and the presence of air-suspended combustible powder (pursuant to ATEX 2014/34/EU regulation for zones 02 and 22).

The optical system consists of a reflector that is subdivided in 4 cells for excellent light distribution and a special micro-prismatic glass with extremely high light transmission for greater visual comfort.

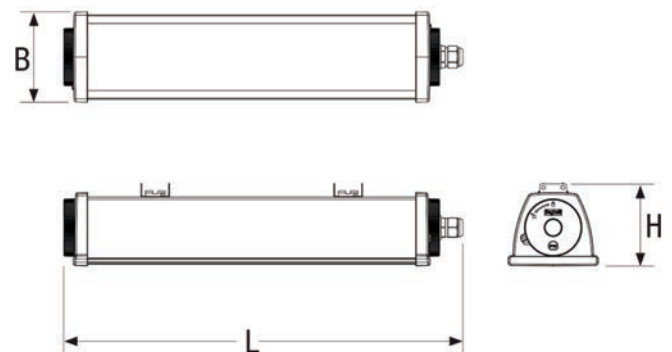
Acciaio Emergency LED is suitable for use in demanding contexts including outside environments that are directly exposed to the elements. It is designed to resist mechanical vibrations and electromagnetic disturbances that are typical of industrial environments. The special steel brackets allow the device to be positioned as required. A compatible accessory, ordered separately, warms the battery and permits installation in sites with temperatures as low as -40°C.



GENERAL CHARACTERISTICS

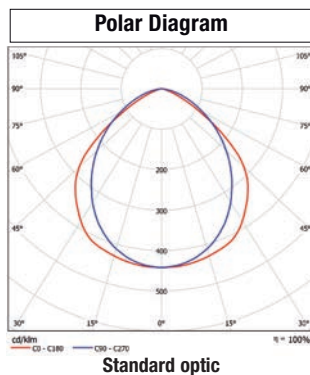
Equivalent power*	24
Autonomy	1h, 2h, 3h
Operation	Maintained (SA), Not Maintained (SE) Rest Mode: with optional control device (cod. 12101)
Standard	EN 60598-1, EN 60598-2-2, EN 60598-2-22, EN 1838, EN 50172, ATEX 2014/34/EU
ATEX Classification	CE EX II 3G Ex nA IIB T4 Gc, CE EX II 3D Ex tc IIIC T80°C Dc
Protection level	IP66, IK09
Environmental temp. SE	0 ÷ +50 °C
Environmental temp. SA	0 ÷ +40 °C
Temp. with ICE PACK	-40 ÷ +50 °C (+40°C SA Model)
Installations	wall, ceiling, suspension, electrified rail
Body	Grey RAL 7035 polyester powder coated steel sheet
Heads	Tecnopolymer PC+PBT
Optic	Anti-glare aluminum diffusing
Diffuser	tempered micro-prismatic high transmission (3mm) glass
Light source	LED

* Equivalent power for comparison with fluorescent lighting fixture

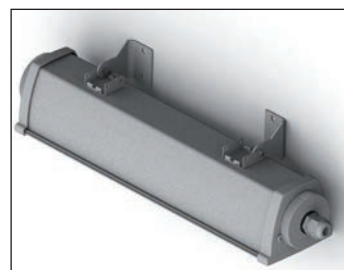


Power* W	• Dimensions (mm) •			Weight max kg
	L	B	H	
24. 24S	464	108	98.5	3.2

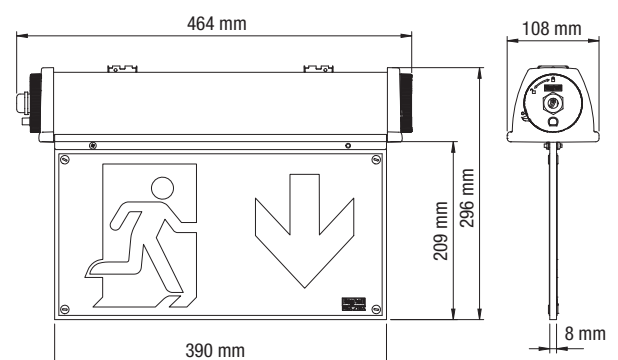
* Equivalent power for comparison with fluorescent lighting fixture



WALL INSTALLATION



ADJUSTABLE BRACKET



Accessories

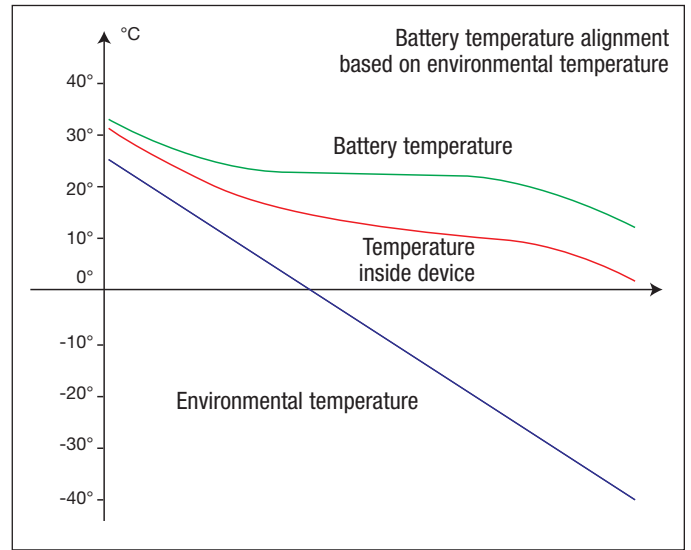
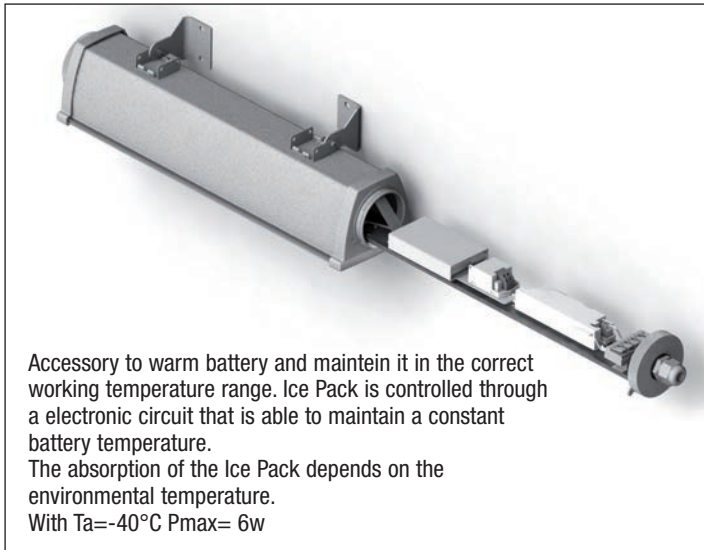
to be ordered separately

Order code	Description
19046	ICE PACK BATTERY (for order code 15030-15031 only)
19064	SCREEN BAND DX/SX/BS ACC EM
12101	REMOTE CONTROL (RM INHIBIT FUNCTION)

Accessories

supplied

Cod. ord.	Descrizione
-	ADJUSTABLE BRACKETS FOR WALL INSTALLATION



19046 ICE PACK

to be ordered separately

LG Logica

W*	Order code	Description	Model	Autonomy	Battery	N° LED	Flux** SE lm	Flux AR SE lm	Flux SA lm	Absorption max W	Weight kg	Pack single
24	15030	ACC EM LED 24 LG SE/SA 123H	SE/SA	1h/2h/3h	NiMh 7.2V 1.2Ah	32	400/275/200		220	4/4.5	1.4	1

LGFM Logica FM

W*	Order code	Description	Model	Autonomy	Battery	N° LED	Flux** SE lm	Flux AR SE lm	Flux SA lm	Absorption max W	Weight kg	Pack single
24	15031	ACC EM LED 24 LGFM SE/SA 123H	SE/SA	1h/2h/3h	NiMh 7.2V 1.2Ah	32	400/275/200		220	4/4.5	1.4	1

LG Granluce Logica

W*	Order code	Description	Model	Autonomy	Battery	N° LED	Flux** SE lm	Flux AR SE lm	Flux SA lm	Absorption max W	Weight kg	Pack single
24	15032	ACC EM LED 24 LGAR SE 123H S	SE	1h/2h/3h	NiMh 7.2V 1.7Ah	32	800/400/270	1600/800/550		1.7	1.5	1

LGFM Granluce Logica FM

W*	Order code	Description	Model	Autonomy	Battery	N° LED	Flux** SE lm	Flux AR SE lm	Flux SA lm	Absorption max W	Weight kg	Pack single
24	15033	ACC EM LED 24 LGFMAR SE 123H S	SE	1h/2h/3h	NiMh 7.2V 1.7Ah	32	800/400/270	1600/800/550		1.7	1.5	1

* Equivalent power for comparison with fluorescent lighting fixture **Minimum Flux guaranteed according to EN 60598-2-22