



Lumax

Combined general and emergency luminaire: Round luminaire in a sheet steel casing with a domed diffuser made of opal plastic (PC). Homogeneous light emission.

Versions for wall mounting or ceiling mounting

Also available as a luminaire for general lighting



Mounting types



Technical data

Mounting options:
wall or surface ceiling mounting

Body:
sheet steel, white (RAL 9003)

Diffusor:
methacrylate, opal

Decentralized supply

Protection class: III

Mains supply:
24 V +/- 20% DC

Battery supply:
24 V +/- 20% DC

Ambient temperature:
-20 to +40 °C

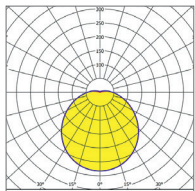
Central supply

Protection class: II

Mains supply:
198V–254V/50Hz

Battery supply:
176 V–276V

Ambient temperature:
-20 to +40 °C



Data as mains supply

	LED	P	Φ	T _c	P _a
N93190_ / T93190-S24 / T93190(E)_ ¹	68	16 W	1700 lm	4000K	>80
N93191_ / T93191-S24 / T93191(E)_ ¹	68	16 W	1700 lm	3000K	>80
N93192_ / T93192-S24 / T93192(E)_ ¹	88	22 W	2450 lm	4000K	>80
N93193_ / T93193-S24 / T93193-(E)_ ¹	88	22 W	2450 lm	3000K	>80
N93194_ / T93194-S24 / T93194-(E)_ ¹	88	35 W	3650 lm	4000K	>80
N93195_ / T93195-S24 / T93195-(E)_ ¹	88	35 W	3650 lm	3000K	>80

¹ Order code with E = electronic ballast, S = Sleb und A = Alog

Decentralized / Central supply

SICURO S24	[EVG]	[SLEB]	[ALOG]	LED	P	Φ	P =	S ~	P =
-------------------	--------------	---------------	---------------	-----	---	---	-----	-----	-----

Version with **3K**, surface wall mounting, surface ceiling mounting. Version **with** reduced power in battery operation.

T93191-S24	T93191EE	T93191ES	T93191EA	8	2.5W	315lm	4.3W	10.0VA / 5.4W
T93193-S24	T93193EE	T93193ES	T93193EA	8	2.5W	315lm	4.3W	10.0VA / 5.4W
T93195-S24	T93195EE	T93195ES	T93195EA	8	2.5W	315lm	4.3W	10.0VA / 5.4W

Version with **4K**, surface wall mounting, surface ceiling mounting. Version **with** reduced power in battery operation.

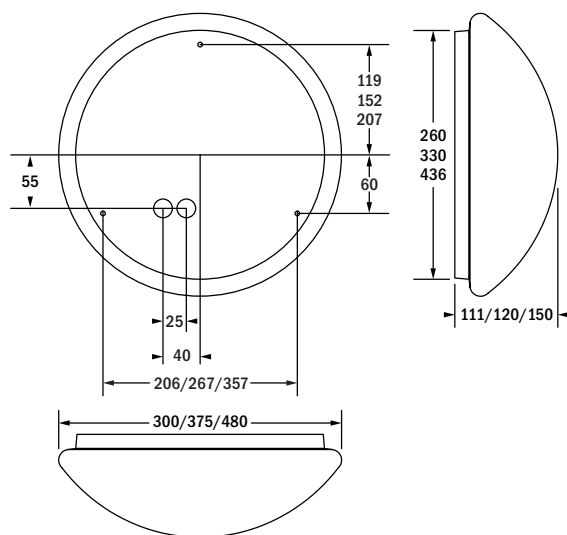
T93190-S24	T93190EE	T93190ES	T93190EA	8	2.5W	315lm	4.3W	10.0VA / 5.4W
T93192-S24	T93192EE	T93192ES	T93192EA	8	2.5W	315lm	4.3W	10.0VA / 5.4W
T93194-S24	T93194EE	T93194ES	T93194EA	8	2.5W	315lm	4.3W	10.0VA / 5.4W

Version with **3K**, surface wall mounting, surface ceiling mounting. Version **without** reduced power in battery operation.

	T93191E	T93191S	T93191A	68	16.0W	1700lm		18.0VA / 17.0W
	T93193E	T93193S	T93193A	88	22.0W	2450lm		24.5VA / 23.0W
	T93195E	T93195S	T93195A	88	35.0W	3650lm		38.0VA / 36.0W

Version with **4K**, surface wall mounting, surface ceiling mounting. Version **without** reduced power in battery operation.

	T93190E	T93190S	T93190A	68	16.0W	1700lm		18.0VA / 17.0W
	T93192E	T93192S	T93192A	88	22.0W	2450lm		24.5VA / 23.0W
	T93194E	T93194S	T93194A	88	35.0W	3650lm		38.0VA / 36.0W



Order code	Diameter
N93190_	300 mm
N93191_	300 mm
N93192_	375 mm
N93193_	375 mm
N93194_	480 mm
N93195_	480 mm
T93190_	300 mm
T93191_	300 mm
T93192_	375 mm
T93193_	375 mm
T93194_	480 mm
T93195_	480 mm

wall /surface ceiling mounting