



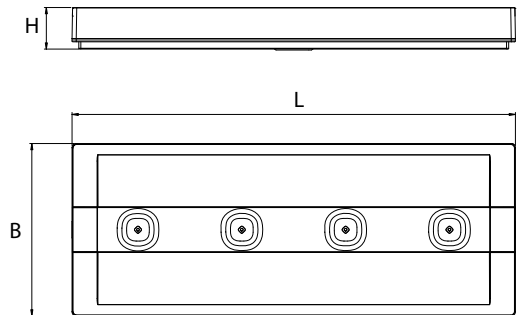
UP•LED

LED Emergency

Emergency luminaire offering extreme flexibility of use. Less than 20 mm thick, this device boasts a strong, innovative aesthetic. The combination of compactness, superb performance, flexible installation and IP65-rating protection make the UP •LED ideal for any type of installation. Available in SE and SA versions, the operating autonomy (1 hr, 2 hrs, 3 hrs) can be selected on each model, changing the luminous flux. The entire range is equipped with all the accessories necessary for converting these devices into illuminated signs, with 20 m and 30 m visibility.

GENERAL CHARACTERISTICS

- Power*** 6-8, 11-24, 24-36w
- Power supply** 230Vac +/- 10% 50Hz
- Operation** Permanent (SA), Non Permanent (SE)
Rest Mode: with optional control gear (cod. 2730)
- Standard** EN 60598-1, EN 60598-2-22, UNI EN 1838, UNI 11222
- Protection grade** IP65 - IK07
- Autonomy** 1h, 3h
- Working temp.** 0°C ÷ +40°C
- Mounting** wall, ceiling, three-phase binary
- Alimentatore** Electronic control gear with constant current
- Housing** White polycarbonate, RAL 9003
- Optics** Transparent polycarbonate lenses
- Light source** LED



Power* W	• Dimensions (mm) •			
	L	B	H	DV
6-8	213	83	20	20/30
11-24	213	83	20	20/30
24-36	213	83	20	20/30

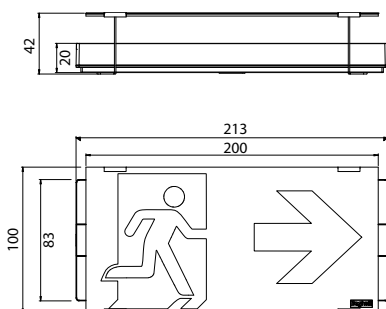
* Indicative power for comparison with fluorescent tube fixtures

* Indicative power for comparison with fluorescent tube fixtures

Accessories

supplied

Order code	Description
-	CONNECTION COUPLING IP65
-	2 REAR SPACERS FOR MOUNTING WITH CONNECTION COUPLING IP65
-	2 CAPS IP65
-	CABLE GLAND IP65

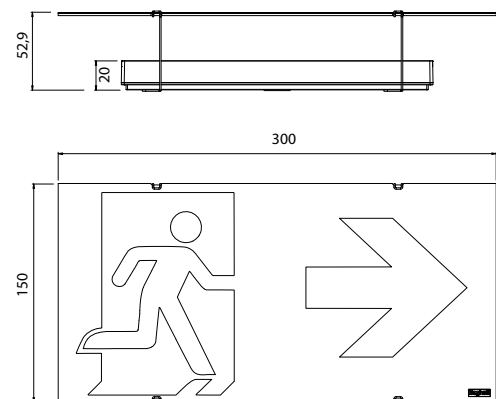


DIFFUSER - visibility distance 20 m

Accessories

to be ordered separately

Order code	Description
4310	SCREEN R-L-DOWN UPLED 20M
4311	SCREEN R-L-DOWN UPLED 30M
4319	THREE-PHASE BINARY KIT



DIFFUSER - visibility distance 30 m

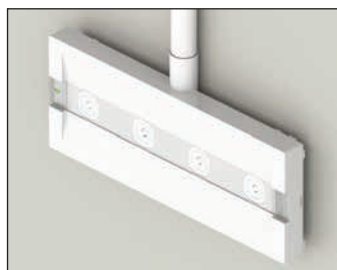
WALL MOUNTING



SPIRIT LEVEL



MOUNTING IP65 WITH CONNECTION COUPLING



4318 IP65 UP LED 824 ACCESSORY

to be ordered separately

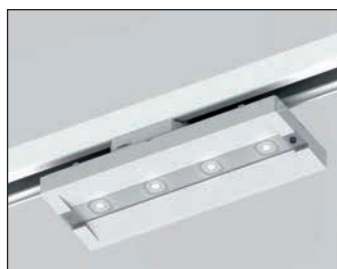
DIFFUSER 20-30M VISIBILITY DISTANCE



4310 BANDIERA DIFFUSER WITH FRAME RIGHT/LEFT/ DOWN 20m to be ordered separately

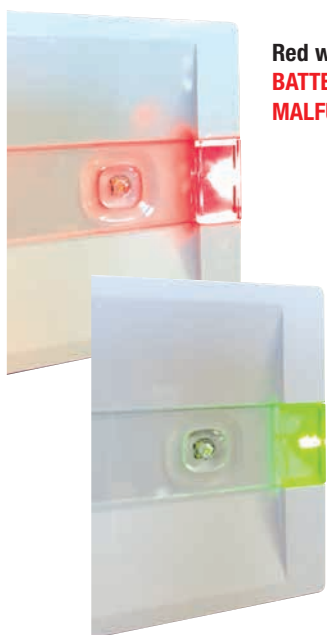
4311 BANDIERA DIFFUSER WITH FRAME RIGHT/LEFT/ DOWN 30m to be ordered separately

THREE-PHASE BINARY MOUNTING



4319 THREE-PHASE BINARY KIT

to be ordered separately

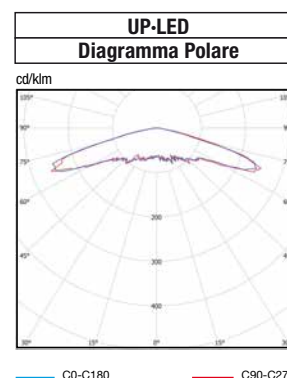


Red warning LED:
BATTERY
MALFUNCTION

Green warning LED:
FIXTURE
FULLY EFFICIENT

BATTERY CONTROL SYSTEM

The warning LED follows new protocols linked to compliance with Standard CEI EN 60598-2-22, which expressly requires the signalling of a battery malfunction which, in the case of UP•LED, is indicated instantaneously with the appearance of the colour red on the multicolour warning led (Battery Control System BCS).



TR

BCS - Battery Control System

W*	Order code	Description	Model	Autonomy	Battery	N° LED	Flux* SE lm			Flux SA lm	Absorption max W	Weight kg	Pack single
							1h	2h	3h				
6-8	4300	UP LED 6-8W SE 1/2/3N IP65	SE	1/2/3h	NiCd 3,6V 0,75 Ah	4	240	140	95	-	0,8	0,25	12
11-24	4301	UP LED 11-24W SE 1/2/3H IP65	SE	1/2/3h	NiMh 3,6V 1,2 Ah	4	340	195	130	-	0,8	0,25	12
24-36	4302	UP LED 24-36W SE 1/2/3H IP65	SE	1/2/3h	NiMh 3,6V 1,5 Ah	4	450	240	170	-	1,2	0,27	12
11-24	4303	UP LED 11-24W SARM 1/2/3H IP65	SA/SE	1/2/3h	NiMh 3,6V 1,2 Ah	4	340	195	130	180	3,0	0,25	12
24-36	4304	UP LED 24-36W SARM 1/2/3H IP65	SA/SE	1/2/3h	NiMh 3,6V 1,5 Ah	4	450	240	170	240	3,5	0,27	12

* Minimum flux guaranteed according to EN 60598-2-22