



Pluraluce

Exit sign luminaire: Flat design casing in sheet steel or Polycarbonate and frame display with aluminium frame and integrated light guide panel made of opal plastic. Homogeneous light distribution ensures optimal illumination of the exit sign. Single or double-sided escape route signage is provided thanks to exchangeable films.

Versions for surface mounting on walls, ceilings, or brackets, with accessories for recessed mounting on walls or ceilings or for wire or rod suspension. Version Sicuro24 also for recessed mounting on fire protection walls / fire protection ceilings of fire resistance class F30 or F90



Mounting types



Mounting types with accessories



Technical data

Mounting options:
surface or recessed wall mounting, surface or recessed ceiling mounting, suspension, bracket suspension

Body: sheet steel, grey (RAL 7035) (wall)

Polycarbonate, grey (RAL 7035) (ceiling, suspension, bracket suspension)

Frame: aluminium, eloxiert

Lens: Light-Guide-Panel

Film: methacrylate, printed

Protection: IP40 (wall), IP41 (ceiling, suspension, bracket suspension)

Decentralized supply

Protection class: III

Mains supply:
24 V +/- 20% DC

Battery supply:
24 V +/- 20% DC

Ambient temperature:
-10 to +40 °C

Central supply

Protection class: I

Mains supply:
198V-254V/50Hz

Battery supply:
EVG: 110V - 276V
Sleb/Alog: 176V - 276 V

Ambient temperature:
-10 to +40 °C

Decentralized supply / Central supply



Surface wall mounting / recessed wall mounting (single faced indication)¹

TB16731-S24 ³	TB16723	TB16729	TB16731	20m	16	1.0W	1.7W	4.5 VA / 2.5W
TB16730-S24 ³	TB16722	TB16728	TB16730	30m	24	1.6W	2.2W	5.0 VA / 3.0W

Surface ceiling mounting / recessed ceiling mounting, suspension, bracket suspension (double faced indication)²

TB16721-S24 ³	TB16713	TB16719	TB16721	20m	32	2.1W	2.9W	6.0 VA / 3.8W
TB16720-S24 ³	TB16712	TB16718	TB16720	30m	48	3.2W	4.3W	7.0 VA / 5.4W

¹ Recessed wall mounting requires an additional installation box according to DIN 49073 for concealed or hollow wall assembly (not supplied). F. i.: brand Kaiser, order no. 9062-02, 1056-04 resp. 1556-04 or 1656-02, 9063-01 resp. 9064-01, to be sourced locally.





² For recessed ceiling mounting and suspension mounting, please order accessories separately.

³ Recessed ceiling mounting or mounting in fire ceilings with the fire resistance class F30 or F90 according to DIN 4102-4 requires an additional installation box F. i.: brand Kaiser, order no. 9463-01, 9463-02, 9464-01, 9464-02 resp. 1564-01 (wall) or 9463-50 resp. 9464-50 (ceiling), to be sourced locally.







Please order mounting accessories separately

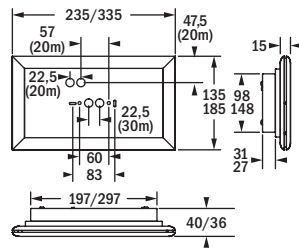
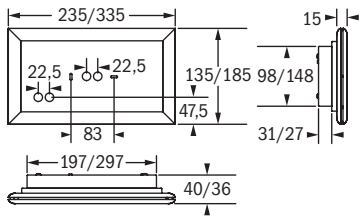
Order code		Description
VD 20m	VD 30m	
FB19384	FB19386	Recessed ceiling mountingset
FB19380	FB19380	Suspension rod: 250 mm
FB19381	FB19381	Suspension rod: 500 mm
FB19382	FB19382	Suspension rod: 1000 mm
FB19383	FB19383	Wire suspension: 2000mm
FB19385	FB19387	Concrete ceiling box (recessed ceiling mounting)

Please order exit sign accessories separately

Order code		Description	
VD 20m	VD 30m		
E16772M	E16781M	Exit sign film	
E16773M	E16782M	Exit sign film	
E16774M	E16783M	Exit sign film	
E16775M	E16784M	Exit sign film	
E16776	E16785	Exit sign film	EXIT▶
E16777	E16786	Exit sign film	◀EXIT
E16778	E16787	Exit sign film	EXIT

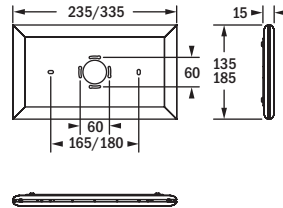
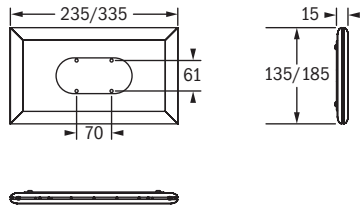
Fitting supplied complete with

Order code		Description	
VD 20m	VD 30m		
E16770M	E16779M	Kit of exit sign films single faced indication	  
E16771M	E16780M	Kit of exit sign films double faced indication	<input type="checkbox"/>   



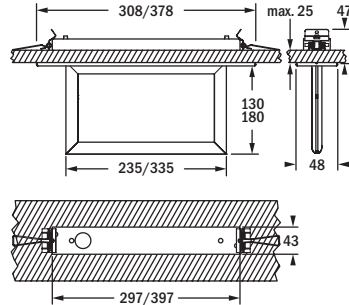
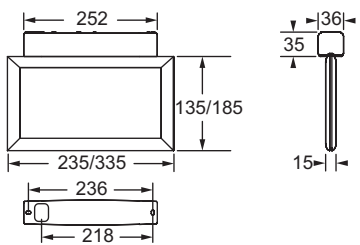
surface wall mounting (cs)¹

surface wall mounting (ds)¹



recessed wall mounting (cs)¹

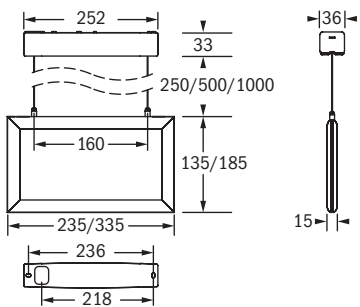
recessed wall mounting (ds)¹



surface ceiling mounting (ds / cs)¹

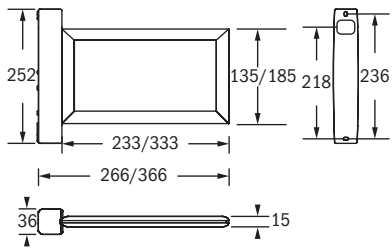
recessed ceiling mounting (hollow ceiling) (ds / cs)¹

ceiling cutout: 300x45 (20m) / 370x45 (30m)

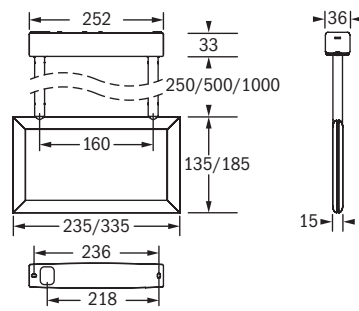


wire suspension: (ds / cs)¹

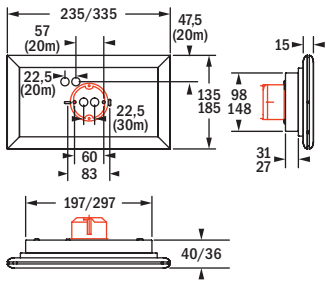
¹ cs= central supply ds = decentralized supply



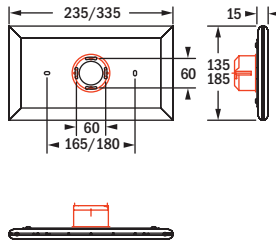
bracket suspension (ds / cs)¹



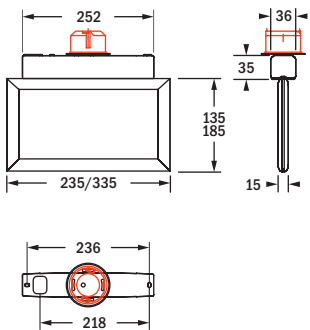
suspension rod (ds / cs)¹



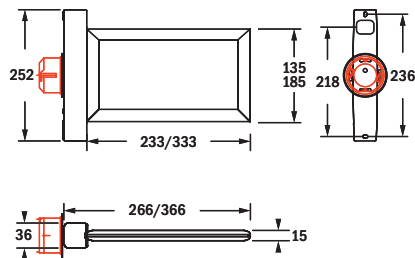
surface wall mounting (ds)¹ in F30 / F90 mounting box (shown in red)



recessed wall mounting (ds)¹ in F30 / F90 mounting box (shown in red)



surface ceiling mounting (ds)¹ in F30 / F90 mounting box (shown in red)



bracket mounting (ds)¹ in F30 / F90 mounting box (shown in red)