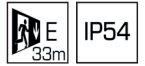




Maxima

High protection class exit sign luminaire Body with clear convex shaped cover. Additional downlighting provided by slots in the body. Single or double-sided escape route signage is provided thanks to exchangeable inserts.

Versions for wall mounting or with accessories for ceiling mounting, wire or rod suspension mounting, mounting on brackets and chain/cable mounting



Mounting types



Mounting types with accessories



Technical data

Mounting options:
surface wall mounting, surface ceiling mounting, suspension,
bracket suspension, chain or wire

Body:
polycarbonate, grey (RAL 7035)
polyester, grey (RAL 7035)

Display pane:
polycarbonate, clear

Decentralized supply

Protection class: III

Mains supply:
24 V +/- 20% DC

Battery supply:
24 V +/- 20% DC

Ambient temperature:
-20 to +40 °C

Central supply

Protection class: I

Mains supply:
198V-254V/50Hz

Battery supply:
EVG: 110V - 276V
Sleb/Alog: 176V - 276V

Ambient temperature:
-20 to +40 °C

Decentralized supply / Central supply



Surface wall mounting (single faced indication)

T93040-S24	T93040E	T93040S	T93040A	33m	2	2.0W	2.9W	6.0VA / 3.8W
-------------------	----------------	----------------	----------------	-----	---	------	------	--------------

Surface ceiling mounting, suspension, bracket suspension, chain or wire (double faced indication)¹



T93041-S24	T93041E	T93041S	T93041A	33m	2	2.0W	2.9W	6.0VA / 3.8W
-------------------	----------------	----------------	----------------	-----	---	------	------	--------------

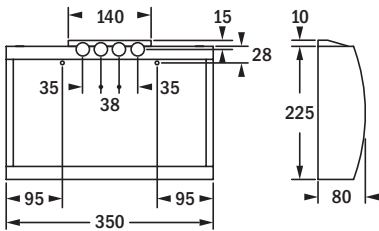
¹For suspension and chain or wire suspension, please order accessories separately.

Please order mounting accessories separately

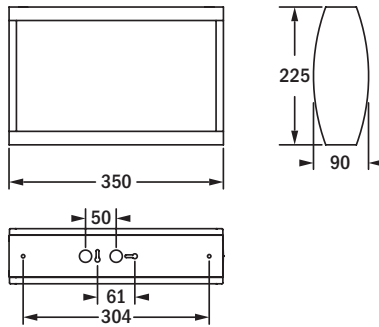
Order code	Description
VD 33m	
F95700	Adaptor for ceiling mounting and visible conduits
F95510	Rectangular suspension, 500 mm
F95511	Suspension rod, 1000mm
F95512	Suspension rod, 1500mm
FB3723	Adaptor for chain or wire suspension

Please order additional accessories separately

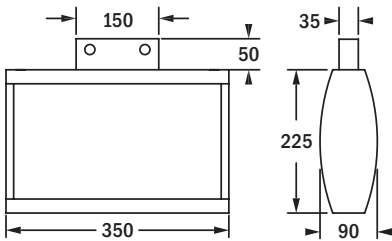
Order code	Description
VD 33m	
F95032	Wire guard (surface wall mounting)
Fitting supplied complete with	
FB16910M	Kit of exit sign films 
E16917M	Kit of exit sign films 



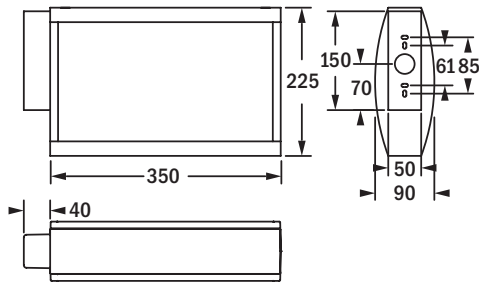
surface wall mounting



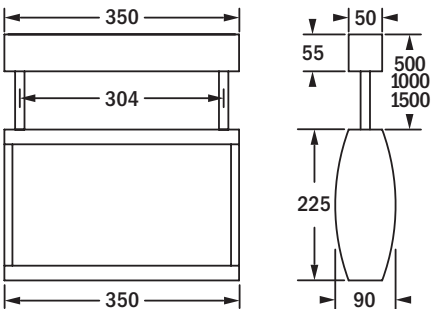
surface ceiling mounting



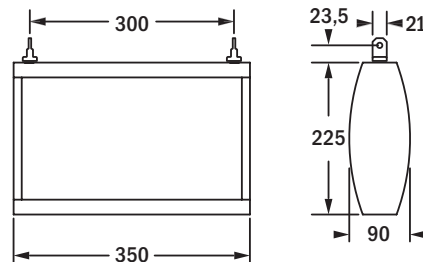
surface ceiling mounting-Adapter



bracket suspension



suspension rod



for chain or wire

