



# Quader

**Exit sign luminaire:** Square casing with cuboid-shaped opal cover. Single, double, or triple-sided escape route signage is provided thanks to self-adhesive films.

Versions for ceiling mounting or with additional accessories for wire or rod suspension mounting and chain/cable mounting.



## Mounting types



## Mounting types with accessories



### Technical data

Mounting options:  
surface ceiling mounting, suspension, chain or wire

Body:  
sheet steel, white (RAL 9003)

Cover:  
methacrylate, opal

### Decentralized supply

Protection class: III

Mains supply:  
24 V +/- 20% DC

Battery supply:  
24 V +/- 20% DC

Ambient temperature:  
-20 to +40 °C

### Central supply

Protection class: I

Mains supply:  
198V–254V/50Hz

Battery supply:  
EVG: 110V - 276V  
Sleb/Alog: 176V - 276V

Ambient temperature:  
-20 to +40 °C

## Decentralized supply / Central supply



Surface ceiling mounting, suspension, chain or wire suspension (3-sided escape route lighting)<sup>1</sup>




T93090-S24	T93090E	T93090S	T93090A	22m	2	2.0 W	2.9 W	6.0 VA / 3.8 W
------------	---------	---------	---------	-----	---	-------	-------	----------------

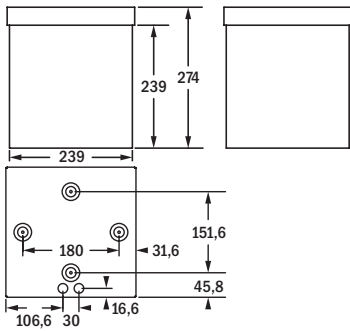
<sup>1</sup> For surface mounting and all suspended versions, please order required accessories separately

**Please order mounting accessories separately**

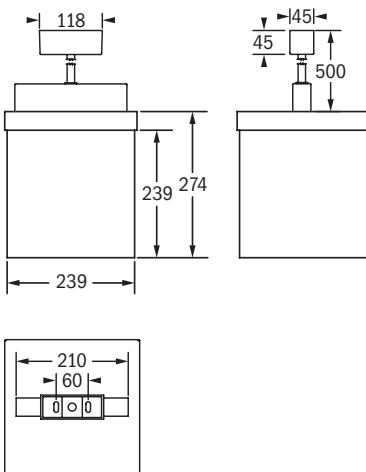
Order code	Description
F95210	Adaptor for suspension rod
F95600	Rectangular suspension, 250 mm
F95601	Rectangular suspension, 500 mm
F95602	Rectangular suspension, 1000 mm
F95400	Suspension rod, 500 mm
F95406	Adaptor for chain or wire suspension

**Please order exit sign accessories separately**

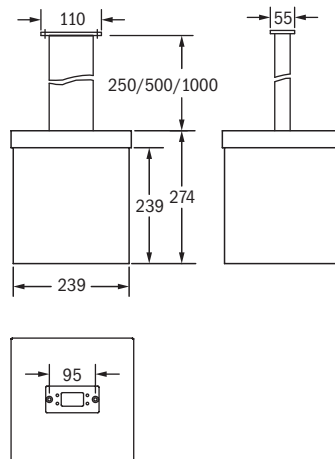
Order code	Description
F15330M	Exit sign film 
F15331M	Exit sign film 
F15332M	Exit sign film 



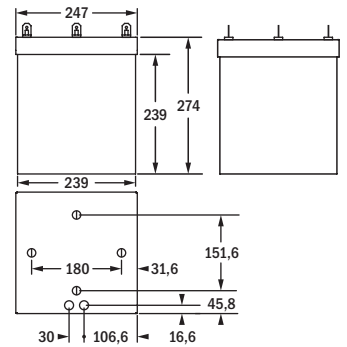
surface ceiling mounting



suspension rod



rectangular suspension



for chain or wire suspension