



GENERAL CHARACTERISTICS

Power supply 100-305 Vac 50/60 Hz
Standard EN 60598-1, EN 60598-2-1, EN 60598-2-22 (basic requirements), EN 62471 (Biological hazard free), EN61493

Protection grade IP66 with vent valve, IK09

Working temp. -20°C +40°C

Mounting light tower, wall mounting, pole mounting, floor mounting

Body Polyester powder-coated die-cast aluminium, black

Lenses clear PMMA

Driver ED electronic, dimmable 0-10V (Cos $\varphi \geq 0, \geq 0,95$)

Surge protection 10kV

MTBF Control gear** 100.000h

Luminous flux maintenance* >50.000h (L70B20)

Colour deviation 3 SDCM

* At the reference working temperature of 25°C

SPECIAL VERSIONS: COLOUR TEMPERATURE ON REQUEST (5000K), POWER (500-600-750-1000-1250W), CHROMATIC YIELD
 Contact Beghelli's sales network

Accessories

included

Order code	Description
-	GONIOMETRIC BRACKET
-	M20 CABLE GLAND WITH VENT VALVE

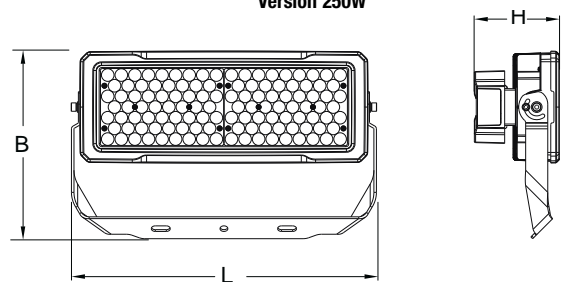
Power Light

Floodlight

The Power Light floodlight allows you to illuminate large areas such as road sections, sports fields, industrial areas or car parks. Die-cast aluminium body with dissipating fins. Each module is equipped with a box to accommodate the driver and dissipate the operating temperature as best as possible. The product is supplied with standard 120° optic made of PMMA; 10°, 30° and 60° optic are available for ordering to cover any design requirement. The angular position of each module can be adjusted using the side goniometric adjustment devices. A laser pointer is available for ordering to facilitate installation and optimise installation times.

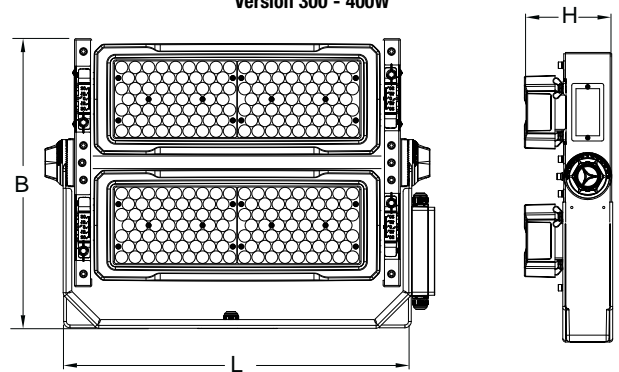


Version 250W



• Dimensions (mm) •			Weight kg
L	B	H	
483	296	135	7.3

Version 300 - 400W



• Dimensions (mm) •			Weight kg
L	B	H	
510	453	137	20.6

Accessories

to be ordered separately

Order code	Description
40930	CURVED BRACKET 250W
40931	CURVED BRACKET 300-400W
40932	POLE MOUNT
40933	LASER POINTER



250W WITH CURVED BRACKET



40930 CURVED BRACKET 250W

to be ordered separately

300-400W WITH CURVED BRACKET



40931 CURVED BRACKET 300-400W

to be ordered separately



TESTA PALO

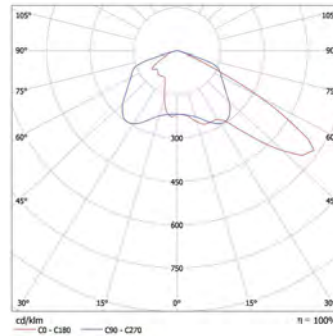


40932 POLE MOUNT

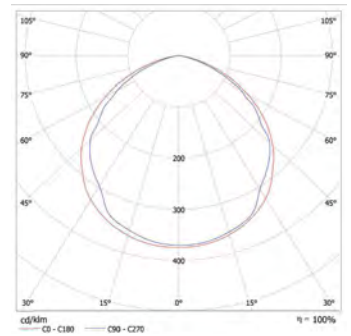
to be ordered separately



POLAR DIAGRAM ASYM



POLAR DIAGRAM



Power Light

Dimmable Electronic ballast 0-10V 

Order code	Description	Optic	Power LED W	Temperature Colour K	Yield Chromatica	Absorption Max W	N° LED	Flux LED lm (T=25°C)	Flux Luminaire lm	Efficiency Luminous lm/W	Class Energy	Pack
40716	POWER L 250W 120° C70 ED 4K 0-10V	120°	225	4000	>70	250	120	36600	30000	133	A++	1
40717	POWER L 300W 120° C70 ED 4K 0-10V	120°	270	4000	>70	300	240	46000	37700	153	A++	1
40718	POWER L 400W 120° C70 ED 4K 0-10V	120°	360	4000	>70	400	240	57200	46900	143	A++	1
40767	POWER L 500W ASYM C70 ED 4K 0-10V	ASYM	450	4000	>70	500	240	72500	59400	119	A++	1

40767 - asymmetrical beam