

D170/1150 LED

Downlight

This revolutionary Downlight range sprang from the need to optimize lighting on the ground while reducing glare as much as possible. The patented optical system consists of a primary louvre with very high reflectance and a secondary louvre for controlling glare, so it is also suitable in the presence of video terminals. The control gear is independent of the fixture and is supplied already wired to the optical compartment, complete with cable ties.

The particular diffusion of the heat of products with LED sources considerably reduces the overheating of the illuminated surfaces, thus ensuring greater environmental comfort and less impact on the illuminated objects. Together with the substantial absence of UV radiation, these features make the product particularly suitable for exhibition areas.

An additional accessory is available for lighting the LED source of the device in the event of a black-out.



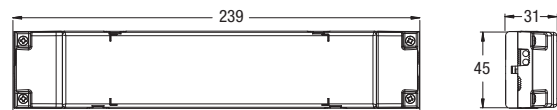
GENERAL CHARACTERISTICS

- Equivalent Power*** 1 × 70, 1 × 150 W
- Power supply** 93–265 V_{AC} 50/60 Hz
176–250 V_{DC}
- Standard** EN 60598-1, EN 60598-2-2,
EN 60598-2-22 (fundamental requirements), EN 62471
- Protection grade** IP20
- Working temp.** -20 °C ÷ +40 °C
- Mounting** recessed, ceiling
- Housing** Die-cast aluminium white RAL 9003
- Optic** sheet metal parabolic
- Driver** SELV electronic SD (cos φ ≥ 0.96)
Electronic with intelligent dimming
- MTBF Control gear**** 80 000 h
- Luminous flux maintenance**** >70 000 h (L80B20)
- Colour deviation** 3 SDCM

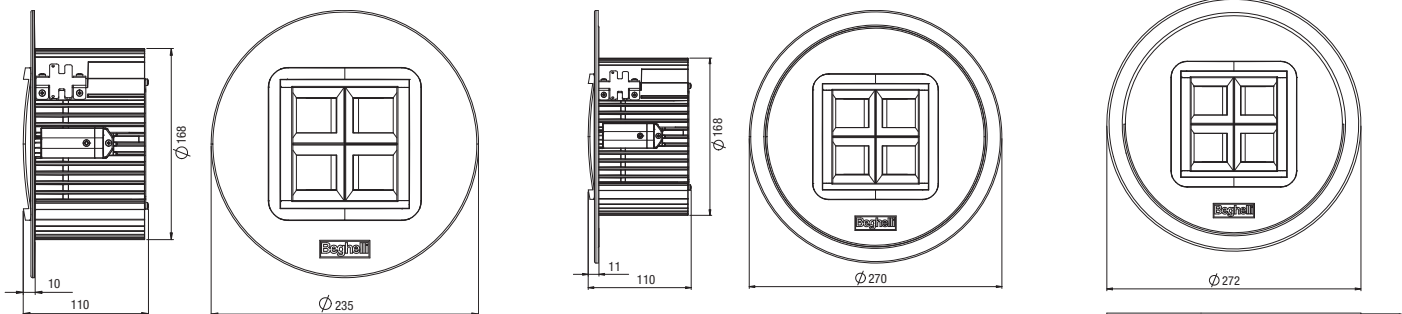
* Equivalent power for comparison with fluorescent tube fixtures
** At environmental reference temperature of 25 °C



Power* W	Mounting	Weight kg
150/70	Recessed	1.9
150/70	Ceiling	3.2
150/70	Recessed with ring	2.2



Electronic control gear



recessed version for holes from 170 to 200 mm

recessed version with adapter ring for holes from 200 to 240 mm

ceiling version

Accessories

supplied

Order code	Description
15039	OPTICOM PHOTOSENSOR

Accessories

to be ordered separately

Order code	Description
20090	ADAPTER RING 240 DWL LED
20091	CEILING ACCESSORY DWL LED
20098	WIDE DIFFUSER DWL/RL08 LED

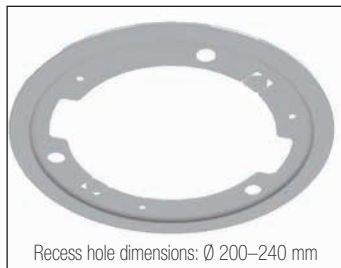
Building automation

to be ordered separately

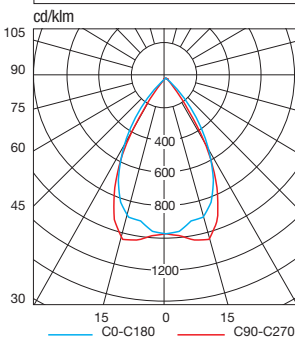
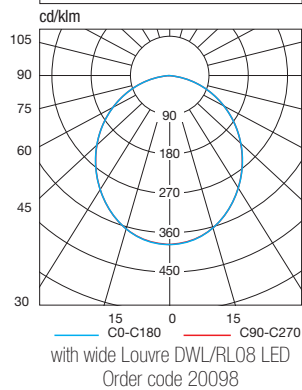
Order code	Description
20102	BUILDING AUTOMATION CENTRAL UNIT
20124	BUILDING AUTOMATION CENTRAL UNIT WIFI
20104	2 INPUT INTERFACE – RADIO TRANSMITTER
15022	BUILDING AUTOMATION RADIO MODULE
15024	DALI MODULE
15034	1-10V MODULE

DOMOTIC RADIO MODULE**1÷10V MODULE****DALI MODULE****PLUG&LIGHT MODULE**

OPTIONAL MODULES TO EXTEND BEGHELLI SD TO RADIO CONTROL OR DALI / 1-10V SYSTEMS AND EMERGENCY

**INTELLIGENT PHOTOSENSOR****1.** Autodimmer Natural Light**2.** Autodimmer Dynamic Light**3.** opticom TECHNOLOGY Smartphone Interface to control and set up system**WIDE DIFFUSER****20098** to be ordered separately**ADAPTER RING**

Recess hole dimensions: Ø 200–240 mm

20090 to be ordered separately**CEILING MOUNTING****20091** to be ordered separately**Polar Diagram****Polar Diagram****Efficiency and dimming**

The increase in luminous efficacy (lm/W) and the useful life of the device may vary significantly according to the degree to which it is dimmed. Assuming an average level of 50% of the luminous flux, the following results are obtained with the D170/1150 LED:

Dimming SD 50 %
Device duration +40 %
Luminous efficiency +20 %

EMERGENCY WITH LED INVERTER**TR AT LG LGFM**

19358	INVERTER PLUG&LIGHT LED SE/SA 1H 20-60V	to be ordered separately
19359	INVERTER PLUG&LIGHT LED SE/SA 3H 20-60V	to be ordered separately
19355*	INVERTER LED AT/LG 6W 55V 123H	to be ordered separately
19372*	INVERTER LED AT/LG 8W 55V 123H	to be ordered separately
19390*	INVERTER EXT AT/LG 15W 55V 0,75-1-2-3-8H LTO	to be ordered separately
19391*	INVERTER EXT AT/LG 15W 55V 0,75-1-2-3-8H LiFe	to be ordered separately

* IP65 cover (order code 19376) is needed for the installation LGFM Module 19375

SPECIAL VARIANTS: COLOUR TEMPERATURE ON REQUEST, COLOUR RENDERING ≥90
Contact the Beghelli sales network**D170/1150 LED**SmartDriver **SD**

Power* W	Order code	Description	LED Power W	Colour Temp. K	Colour rendering	Power consumption max W	N°LEDs	Flux of LEDs lm (Tj=25°C)	Flux of fixture lm	lm/W	Energy Class	Packaging
70	D170SD	DWL SPOT LED 1x70 INC SD 3K	38	3 000	>80	43	48	4 900	4 000	93	A++	1
150	D1150SD	DWL SPOT LED 1x150 INC SD 3K	47	3 000	>80	52	24	6 700	5 500	106	A++	1

* Indicative power for comparison with fluorescent tube fixtures