

30 up to
m³/h 50 m²

Sanifica **ARIA**
Beghelli

UV  **OXY**
TECHNOLOGY



INSTALLATION, USE AND MAINTENANCE MANUAL
(code 26700)

Beghelli



The UVoxy® technology enables air sanitization through a closed chamber system saturated with UV-C rays: the flow cell UVoxy® draws in air from the environment and delivers sanitized air.

In the SanificaAria 30 device, the UV-C chamber size makes it suitable for small and medium-sized rooms (up to 50m²).

OPERATION



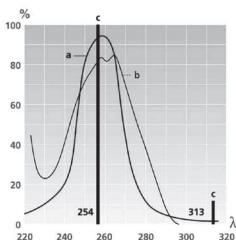
The sanitization unit consists of an axial fan intake system that draws air inside the closed chamber containing the UV-C source, where the sanitization process takes place. The UVoxy® replaceable cartridge is installed inside of the module. Replacement is quick and ensures the sanitization characteristics of the appliance are maintained over time. Use an original UVoxy® Beghelli spare part (code 26720).

EXAMPLE OF AIR SANITIZATION

Room size		
Surface area (m ²)	Curvature (m ³)	Sanitization time (h)
6	15	0.5
13	30	1
25	60	2
38	90	3
50	120	4

Germicidal effect of the UV-C lamp (ozone-free)

- Optimal germicidal effect between 250 and 270nm
- DNA absorption curve
- The radiation of a low-pressure UV lamp consists almost exclusively of a 254nm spectral line, which is close to the maximum germicidal effect.



Testing and Certification

Test performed according to ISO15714, as applicable, on sample microorganisms. The test details can be found on geltinternational.it/technal/beghelli or by scanning the QR CODE

Device conforming to European Directives 2014/35/EU and 2014/30/EU.



COMMITMENT TO QUALITY
controlled by Independent Third Parties.

Want to know how?



Scan the QR CODE!

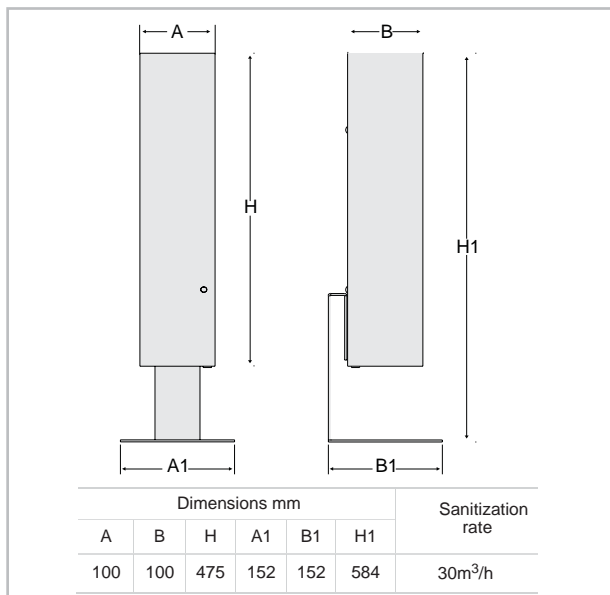


DEVICE USE:

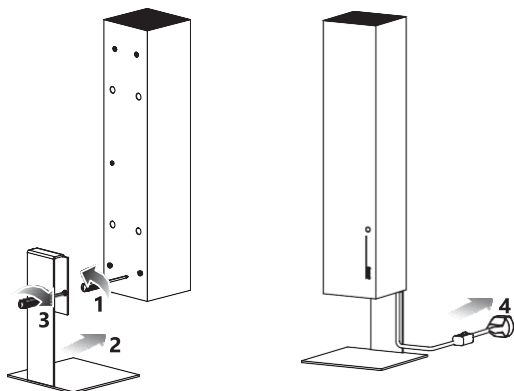


Please read the maintenance instructions and safety warnings carefully before use.

Its compact design and the different installation options (wall-mounted, suspended, on a support or on a floor stand with a bracket) make it particularly versatile. **Pay attention not to obstruct the correct air flow.**

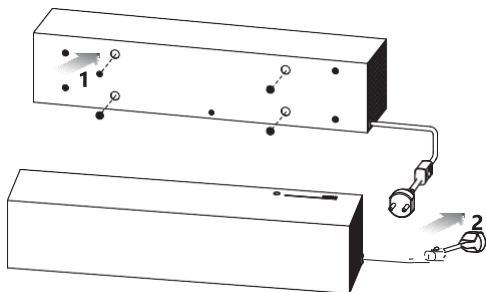


FLOOR-STAND INSTALLATION



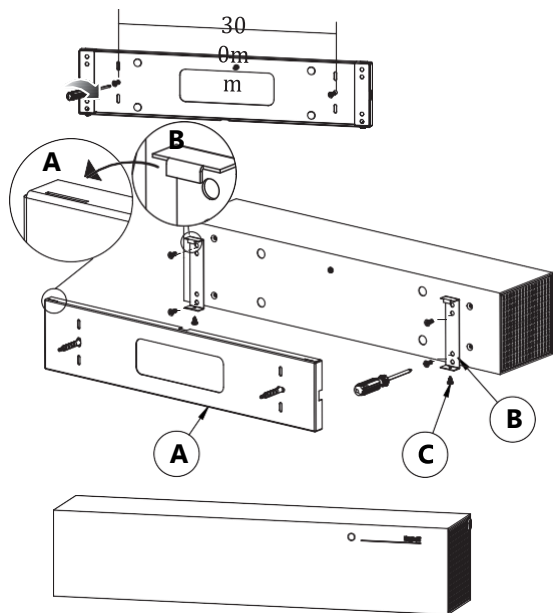
- Take out the 2 screws from the back of the device
- Fix the bracket to the product by tightening the screws
- Connect the power cord to the mains

MOUNTED ON A SUPPORT



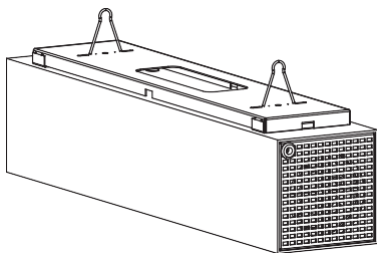
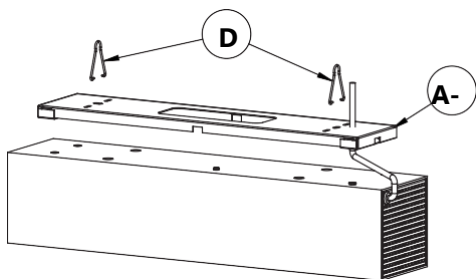
- Place the 4 rubber washers on the backside and fix the device on the support
- Connect the power cord to the mains

WALL AND CEILING MOUNTING



- Fix the bracket (A) to the wall (centre to centre distance:300mm)
- Attach the 2 riders (B) to the device
- Anchor rider B onto the bracket (A) (see detail) and fix it in screws (C)

SUSPENDED MOUNTING



- Attach the bracket (A+B) to the device
- Fix the riders (D) in their seats (centre to centre distance: 300mm)

MAINTENANCE

Before cleaning or maintenance, make sure the device is turned off and disconnected from the power supply.



CLEANING

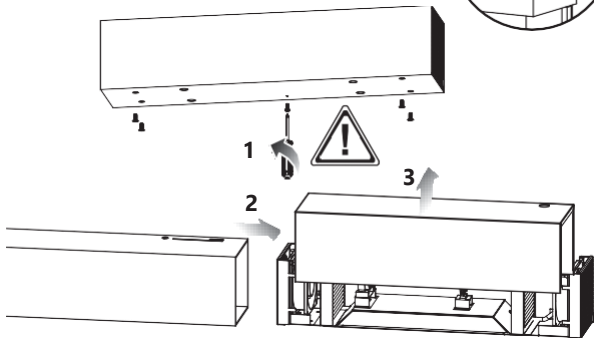
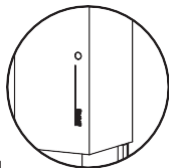
Remove the dust that may have built-up on the outer grids, using a brush.

When replacing the cartridge, remove the dust from the internal deflectors.

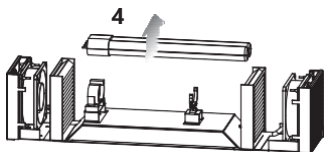
uvOxy® 30 SANITIZING CARTRIDGE REPLACEMENT

Cartridge life: 12 months (continuous use). Replacing the cartridge allows you to keep the germicidal performance of the device in time.

The blue indicator light on the front shows the UV-C lamp is turned on properly. The lamp should be replaced if the blue light is no longer lit when the device is on.



- Take out the 5 screws from the bottom of the device (the middle screw first)
- Take out the inside part (single body) and remove the cover



- Replace the cartridge only with an original UVOxy® Beghelli spare part (code 26720)
- Put the cover back on, re-insert the device body into the housing and tighten the 5 screws (the middle screw last)

SanificaAria 30 TECHNICAL FEATURES

Power supply: 230VAC \pm 10%, 50÷60Hz (2m long cable)

Local switch on power cable

Power consumption: 24W

UV-C Lamp: TC 2G11 18W

UV-C wavelength: 254nm

Sanitization rate: 30m³/h **UV-C**

radiant power: 5.5W

Ozone-free UV-C lamp

Cartridge life: 12 months (continuous use). Replacing the cartridge allows you to keep the germicidal performance of the device in time.

Noise level: 40dB (A) at 1 meter

Weight: 3.5kg

Degree of protection: IP20

Insulation class: I (appliance with protective grounding)

Automatic safety microswitch



IMPORTANT

SAFETY WARNINGS

- The device contains a UV-C emission lamp.
- **WARNING:** DO NOT activate the UV lamp when removed from the protective casing of the appliance.
- This device must only be used for its intended use. Any other use shall be deemed as nonconforming and therefore dangerous.
- Using the device otherwise than as described herein or if the housing is damaged can result in UV-C radiation leaks.
- Even small doses of UV-C radiation can damage eyes and the skin.
- Please read the maintenance instructions before opening the device.
- The device must be turned off and disconnected from the power supply before replacing the UVoxy® Beghelli cartridge (code 26720).
- Do not insert small objects into the ventilation grid. They could damage the fans and impair the device operation.
- If damaged, the device should not be used.
- If dropped from a height, check if the UV-C lamp turns on correctly (front indicator blue light is on).
- In case of failure or malfunction, do not tamper with the device. Please contact only an authorized technical service centre for repairs.
- The device must be used exclusively indoors and not outdoors. Any other use shall be deemed improper.

- Children mustn't play with the device. Cleaning and maintenance must not be done by children without adult supervision.
- Make sure the device is connected to a grounded outlet.

DISPOSAL

The packaging is made out of recyclable materials. Dispose of it according to environmental protection regulations, by separate collection.

According to European Directive 2012/19/EU, the device fallen into disuse must be disposed of in a compliant manner: It must not be discarded as unselected municipal waste. It must be taken to recycling centres or sent back to the Beghelli vendor.



Recyclable materials used in the appliance can be recovered to avoid environmental pollution.

For more information, please contact your local disposal authority or the appliance vendor.

SUPPORT AND WARRANTY

For repairs or spare parts, please contact Beghelli's authorized customer support department: 800 626626 (toll-free number).

The appliance is covered by the manufacturer's warranty. All parts found to be faulty due to negligence, or careless use, failure to comply with operating instructions, damage during transport or circumstances that cannot be traced back to manufacturing defects shall not be covered by warranty. The warranty is also excluded in all cases of improper use. Failure to comply with instructions given in this manual for device use, care and maintenance shall cancel the manufacturer's warranty.



Technology tested at **Tecnal laboratories** under the supervision of Gelt International. For information on the effectiveness of cutting down microbiologic load, scan the QR code or visit geltinternational.it/tecnal/beghelliwebsite

FOR
INFORMATION



334.901.994

BEGHELLI S.p.A. - Via Mozzeghine 13/15 - loc. Monteveglio
40053 Valsamoggia (BO) - ITALY - Tel. +39 051 9660411 - Fax +39 051
9660444