



### GENERAL CHARACTERISTICS

- Equivalent Power\*** 2x 26 W
- Power supply** 93–265 V<sub>AC</sub> 50/60 Hz  
176–250 V<sub>DC</sub>
- Standard** EN 60598-1, EN 60598-2-2,  
EN 60598-2-22 (fundamental requirements), EN 62471
- Protection grade** IP20
- Working temp.** -20 °C ÷ +40 °C
- Mounting** recessed, ceiling
- Housing** Die-cast aluminium white RAL 9003
- Optic** sheet metal parabolic
- Driver** SELV electronic SD (cos  $\varphi \geq 0.96$ )  
Electronic with intelligent dimming
- MTBF Control gear\*\*** 80 000 h
- Luminous flux maintenance\*\*** >70 000 h (L80B20)
- Colour deviation** 3 SDCM

\* Equivalent power for comparison with fluorescent tube fixtures  
\*\* At environmental reference temperature of 25 °C

# D226 LED

## Downlight

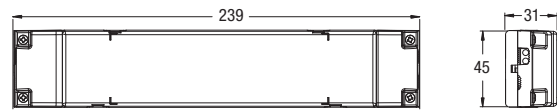
Downlight with very high light output. The optical system allows maximized illumination with excellent anti-glare features, so it is also suitable in the presence of video terminals. The control gear is independent of the fixture and is supplied already wired to the optical compartment, complete with cable ties.

The particular diffusion of the heat of products with LED sources considerably reduces the overheating of the illuminated surfaces, thus ensuring greater environmental comfort and less impact on the illuminated objects. Together with the substantial absence of UV radiation, these features make the product particularly suitable for exhibition areas.

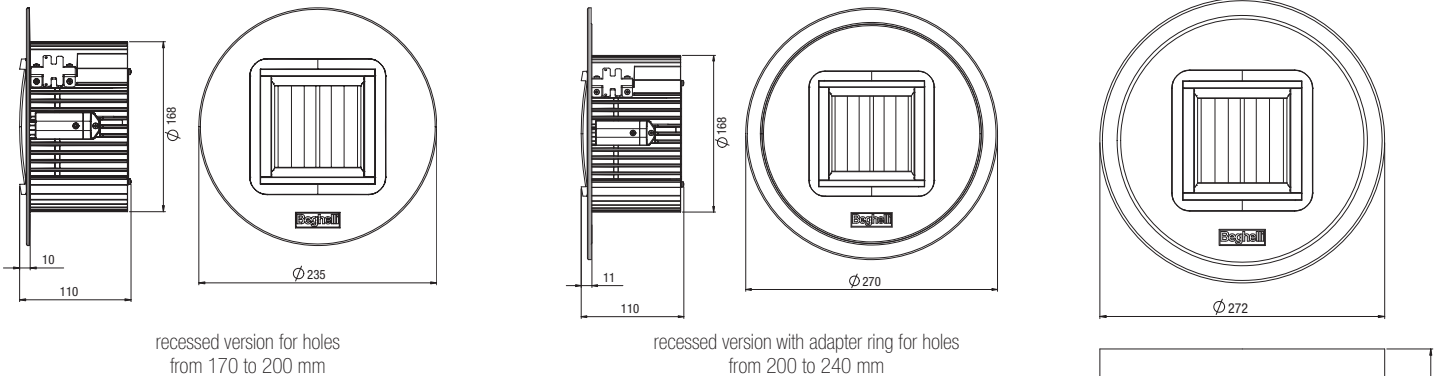
An additional accessory is available for lighting the source and the LEDs of the device in the event of a black-out.



Power* W	Installation	Weight kg
2x 26	Recessed	1.9
2x 26	Ceiling	3.2
2x 26	Recessed with ring	2.2



Electronic control gear



recessed version for holes from 170 to 200 mm

recessed version with adapter ring for holes from 200 to 240 mm

## Accessories

supplied

Order code	Description
15039	OPTICOM PHOTOSENSOR

## Accessories

to be ordered separately

Order code	Description
20090	ADAPTER RING 240 DWL LED
20091	CEILING ACCESSORY DWL LED
20098	WIDE DIFFUSER DWL/RL08 LED

## Building automation

to be ordered separately

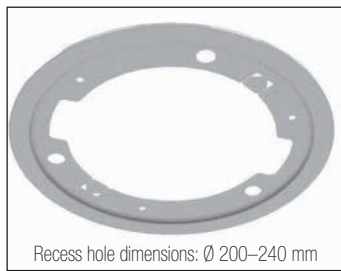
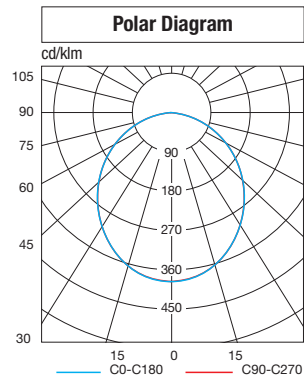
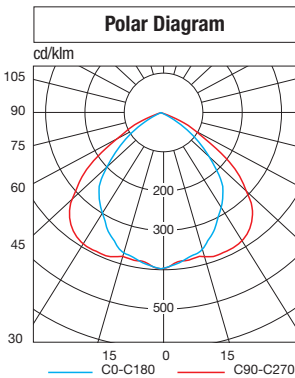
Order code	Description
20102	BUILDING AUTOMATION CENTRAL UNIT
20124	BUILDING AUTOMATION CENTRAL UNIT WIFI
20104	2 INPUT INTERFACE – RADIO TRANSMITTER
15022	BUILDING AUTOMATION RADIO MODULE
15024	DALI MODULE
15034	1-10V MODULE

**DOMOTIC RADIO MODULE****1÷10V MODULE****DALI MODULE****PLUG&LIGHT MODULE**

OPTIONAL MODULES TO EXTEND BEGHELLI SD TO RADIO CONTROL OR DALI / 1-10V SYSTEMS AND EMERGENCY

**INTELLIGENT PHOTOSENSOR**

1. Autodimmer Natural Light
2. Autodimmer Dynamic Light
3. opticom TECHNOLOGY Smartphone Interface to control and set up system

**WIDE DIFFUSER****20098** to be ordered separately**ADAPTER RING****20090** to be ordered separately**CEILING MOUNTING****20091** to be ordered separatelywith wide Louvre DWL/RL08 LED  
Order code 20098**Efficiency and dimming**

The increase in luminous efficacy (lm/W) and the useful life of the device may vary significantly according to the degree to which it is dimmed. Assuming an average level of 50% of the luminous flux, the following results are obtained with the D226 LED:

- Dimming SD** 50 %
- Device duration** +40 %
- Luminous efficiency** +15 %

**EMERGENCY WITH LED INVERTER****TR AT LG LGFM**

- 19358** INVERTER PLUG&LIGHT LED SE/SA 1H 20-60V to be ordered separately
- 19359** INVERTER PLUG&LIGHT LED SE/SA 3H 20-60V to be ordered separately
- 19355\*** INVERTER LED AT/LG 6W 55V 123H to be ordered separately
- 19372\*** INVERTER LED AT/LG 8W 55V 123H to be ordered separately
- 19390\*** INVERTER EXT AT/LG 15W 55V 0,75-1-2-3-8H LTO to be ordered separately
- 19391\*** INVERTER EXT AT/LG 15W 55V 0,75-1-2-3-8H LiFe to be ordered separately

\* IP65 cover (order code 19376) is needed for the installation LGFM Module 19375

**SPECIAL VARIANTS: COLOUR TEMPERATURE ON REQUEST, COLOUR RENDERING ≥90**  
Contact the Beghelli sales network**D226 LED**SmartDriver **SD**

Power* W	Order code	Description	LED Power W	Colour Temp. K	Colour rendering	Power consumption max W	N°LEDs	Flux of LEDs lm (Tj=25°C)	Flux of fixture lm	lm/W	Energy Class	Packaging
2x 26	<b>D226SD</b>	DWL SPOT LED 2x26 INC SD 4K	16	4 000	>80	20	40	2 200	1 860	93	A++	1

\* Indicative power for comparison with fluorescent tube fixtures