

BS240 LED

Industrial LED luminaire

Die-casting aluminium body and 3mm toughened polycarbonate diffuser to grant a high level of strength and durability from impact in installation such as sports halls, or industries or commercial areas.

Its bayonet bracket allows a simple and fast installation thus granting stability and durability of the fixing system.

The Parking version provides a wide light beam to illuminate areas where the ceiling is low such as parking areas or basements. This optic is in fact designed to deliver optimal, uniform and efficient illumination allowing to considerably reducing the number of installed luminaires.

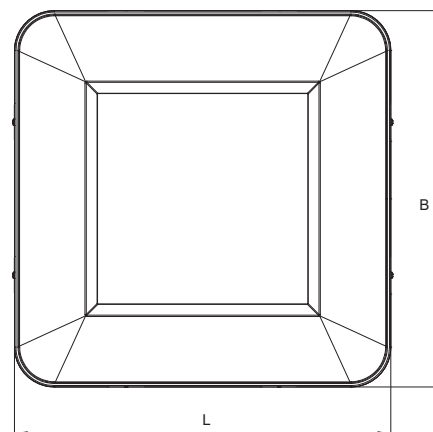


GENERAL CHARACTERISTICS

- Equivalent Power*** 4x 55 W, 6x 55 W a 2x 55 W (version Parking)
- Power supply** **SD Version:**
Universal Multi Voltage
93–265 V_{AC} 50/60 Hz 176–250 V_{DC}
ED Version: 230 V_{AC} ±10 % 50 Hz
- Standard** EN 60598-1, EN 60598-2-1, EN 60598-2-22 (fundamental requirements), EN 62471 (Photobiological hazard)
- Protection grade** IP66
- Working temp.** -20 ÷ +40 °C
- Mounting** ceiling, suspension, busbar trunking
- Housing** Polyester powder coated die-cast aluminium RAL 7040 grey
- Bayonet bracket** Die-cast aluminium
- Optic** Wide anti-glare aluminium
- Screen** Polycarbonate 3mm
- Driver** **SD Version:**
SELV electronic SD (cos φ ≥ 0.96) with intelligent dimming
ED Version:
SELV electronic ED (cos φ ≥ 0.95)
- MTFB Control gear**** 80 000 h
- Luminous flux maintenance**** >70 000 h (L80B20)
- Colour deviation** 3 SDCM

* Equivalent power for comparison with fluorescent tube fixtures

** At environmental reference temperature of 25 °C



Power * W	• Dimensions (mm) •			Weight max. kg
	L	H	I	
4x 55	443	443	85	5.5
6x 55	443	443	85	5.5
2x 55	443	443	85	5.0

Accessories

supplied

Order code	Description
-	CEILING BRACKET
-	SUSPENSION KIT (eyebolts)

Accessories

to be ordered separately

Order code	Description
12665	BUSBAR TRUNKING BRACKET

SPECIAL VARIANTS: COLOUR TEMPERATURE ON REQUEST, COLOUR RENDERING ≥90
Contact the Beghelli sales network

Accessories **SD**

supplied

Order code	Description
15039	OPTICOM PHOTOSENSOR

Building automation **SD**

to be ordered separately

Order code	Description
20102	BUILDING AUTOMATION CENTRAL UNIT
20124	BUILDING AUTOMATION CENTRAL UNIT WIFI
20104	2 INPUT INTERFACE – RADIO TRANSMITTER
15022	BUILDING AUTOMATION RADIO MODULE
15024	DALI MODULE
15034	1-10V MODULE

DOMOTIC RADIO MODULE

1÷10V MODULE

DALI MODULE

PLUG&LIGHT MODULE

OPTIONAL MODULES TO EXTEND BEGHELLI SD TO RADIO CONTROL OR DALI / 1-10V SYSTEMS AND EMERGENCY



INTELLIGENT PHOTOSENSOR

1. **Autodimmer Natural Light**
2. **Autodimmer Dynamic Light**
3. **opticom TECHNOLOGY Smartphone Interface to control and set up system**

CEILING BRACKET



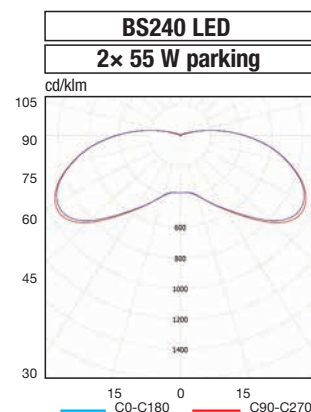
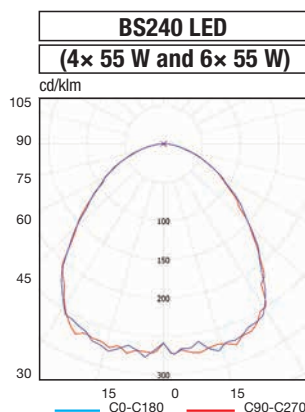
CEILING BRACKET

supplied

Efficiency and dimming

The increase in luminous efficacy (lm/W) and the useful life of the device may vary significantly according to the degree to which it is dimmed. Assuming an average level of 50% of the luminous flux, the following results are obtained with the BS240 LED:

Dimming 50 %
Device duration +40 %
Luminous efficiency +10 %



EMERGENCY WITH LED INVERTER

TR AT LG LGFM

- 19358** INVERTER PLUG&LIGHT LED SE/SA 1H 20-60V *to be ordered separately*
- 19359** INVERTER PLUG&LIGHT LED SE/SA 3H 20-60V *to be ordered separately*
- 19364** INV LED IP65 AT/LG 123H (addressable) *to be ordered separately*
- 19365** INV LED IP65 LGFM 123H (addressable) *to be ordered separately*
- RA02***** AUTORIPARA INVERTER BATTERY 7.2V 1.7Ah *to be ordered separately*

***Contact the Beghelli sales network for availability

BS240 LED

SmartDriver

Power* W	Order code	Description	LED Power W	Colour Temp. K	Colour rendering	Power consumption max. W	N°LEDs	Flux of LEDs lm (Tj=25°C)	Flux of fixture lm	lm/W	Energy Class	Packaging
4x 55	11288SD	BS240 LED 455 SD 4000K	90	4 000	>80	100	240	15 500	13 300	133	A++	1
6x 55	11289SD	BS240 LED 655 SD 4000K	135	4 000	>80	150	360	23 300	20 000	133	A++	1
2x 55	11288PSD	BS240 LED 255 PARK SD 4000K	45	4 000	>80	50	192	7 800	6 650	133	A++	1

BS240 LED

Eco Driver

Power* W	Order code	Description	LED Power W	Colour Temp. K	Colour rendering	Power consumption max. W	N°LEDs	Flux of LEDs lm (Tj=25°C)	Flux of fixture lm	lm/W	Energy Class	Packaging
4x 55	11288ED	BS240 LED 455 ED 4000K	90	4 000	>80	100	240	15 500	13 300	133	A++	1
6x 55	11289ED	BS240 LED 655 ED 4000K	135	4 000	>80	150	360	23 300	20 000	133	A++	1
2x 55	11288PED	BS240 LED 255 PARK ED 4000K	45	4 000	>80	36	192	7 800	6 650	133	A++	1