

Floodlight FL dual sensor

Outdoor floodlight

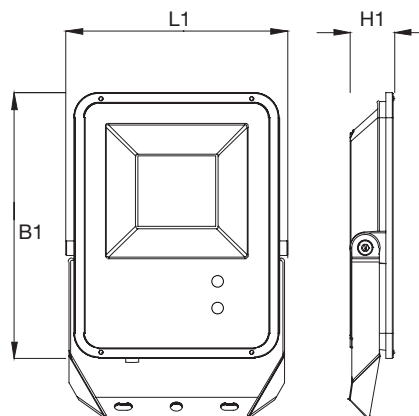
Floodlight Sensor is an outdoor projector which housing is made of die-cast aluminium and it offers reflector with a diffused light beam. The luminaire is equipped with a presence sensor and twilight sensor that can be programmable via the supplied remote control. The remote control can also be used to force turned on or off. The particularly reduced thickness minimizes the aesthetic impact in architectural sites, particularly suitable in prestigious residential areas.



NEW RANGE

GENERAL CHARACTERISTICS

Equivalent Power	20, 50 W
Power supply	220-240 VAC - 50/60 Hz
Standard	EN60598-1; EN60598-2-1; EN 62471
Protection grade	IP66
Working temp.	-20°C ÷ +40°C
Mounting	Ground or wall
Housing	Die-cast aluminium
Reflector	Satin aluminium
Screen	Transparent tempered glass
Driver	Integrated, electronic
Light source	LED
Colour temperature	3000K, 4000K, 6500K
Life	50000 h (according to L70B50 with T=25°C)



Supplied with cable L=40cm

W	• Dimensions (mm) •			Weight kg
	L1	B1	H1	
20	118	141	33	-
50	146	175	33	-

Floodlight FL dual sensor with twilight and presence sensor

W	Order Code	Description	EAN	Power W	Colour Temp.	Colour rendering index	Flux of LEDs (lm)	Flux of fixture (lm)	Luminous Efficiency (lm/W)	Energy Efficiency Class	Package single/multi
20	86167	FL LED 20W BLACK IP65 SENS 3K	8002219759047	15	3000K	>80	2400	2000	100	A++	1/24
50	86168	FL LED 50W BLACK IP65 SENS 3K	8002219759054	20	3000K	>80	6000	5000	100	A++	1/24
20	86169	FL LED 20W BLACK IP65 SENS 4K	8002219759061	15	4000K	>80	2400	2000	100	A++	1/24
50	86170	FL LED 50W BLACK IP65 SENS 4K	8002219759078	20	4000K	>80	6000	5000	100	A++	1/24
20	86171	FL LED 20W BLACK IP65 SENS 6K5	8002219759085	15	6500K	>80	2400	2000	100	A++	1/24
50	86172	FL LED 50W BLACK IP65 SENS 6K5	8002219759092	20	6500K	>80	6000	5000	100	A++	1/24



Remote control – included functions

Light on/off, twilight sensor and presence sensor activation and deactivation

Presence sensor intervention distance programming

Presence sensor stand-by time programming

