

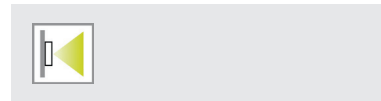
TRIANGLE



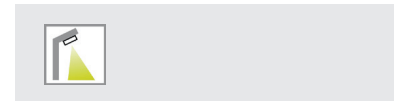
Housing made of stainless sheet steel in white or unpainted in triangular design with light-emitting surface downwards. High-power LED with light guidance through special lenses for asymmetrical light distribution (illumination of escape routes with 1 lx) or for symmetrical light distribution (illumination of areas with 0.5 lx).

Versions for surface wall mounting and with additional accessory for bollard (only S230 and S24)

MOUNTING TYPES



MOUNTING TYPES WITH ACCESSORIES



TECHNICAL DATA

Housing: Stainless sheet steel, V2A, white (RAL 9010)
Stainless sheet steel, V2A

Pane: PMMA, transparent

Lens: PMMA, transparent

Type of protection: IP65 (Classic)
IP66 (LTO, S230, S24)

Service life $L_{80B_{20}}$: 50.000 h

Color stability: 3 SDCM

Color temperature: 4.000 K

Color rendering index: 90



SELF-CONTAINED SUPPLY

Mains supply: 198 V – 254 V / 50 Hz

Switching: Maintained and non-maintained

Ambient temperature: LTO: -20 °C to +45 °C
Classic: 0 °C to +40 °C

Protection class: I

DECENTRAL SUPPLY

Mains supply: 24 V +/- 20 % DC

Battery supply: 24 V +/- 20 % DC

Ambient temperature: -20 °C to +40 °C

Protection class: III

CENTRAL SUPPLY

Mains supply: 198 V – 254 V / 50 Hz

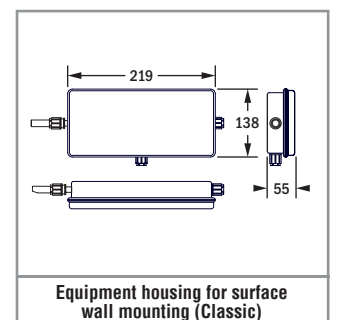
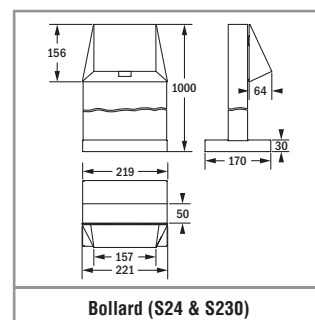
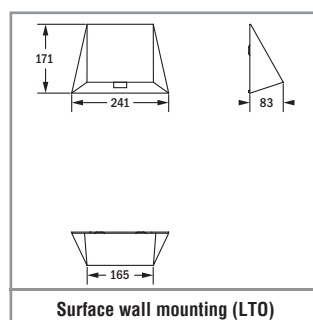
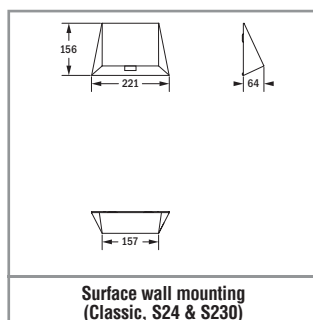
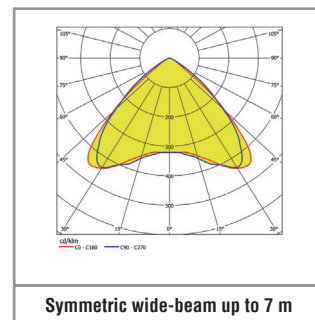
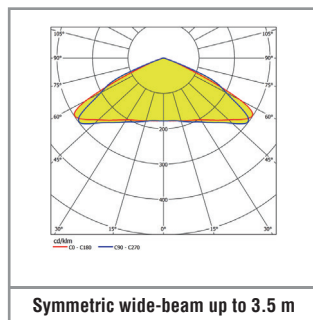
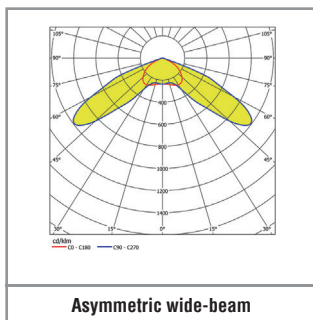
Battery supply: 176 V – 276 V

Ambient temperature: -20 °C to +40 °C

Protection class: I

Mains supply (alt.): 90 V – 254 V / 50/60 Hz

Battery supply (alt.): 90 V – 276 V





SELF-CONTAINED SUPPLY

Autotest Order code	Logica Order code	Logica FM Order code	Version	LED	Φ= 1 h	Φ= 3 h	Φ= 8 h		S~
Surface wall mounting for escape route illumination or area illumination with 3 changeable lenses									
37270	37271	37272	V2A, white	1	Escape route 248 lm	Escape route 143 lm	Escape route 40 lm	2 x LTO 7.2 V / 0.5 Ah	4.85 VA
					Area 3.5 m / 7 m 265 lm / 271 lm	Area 3.5 m / 7 m 152 lm / 157 lm	Area 3.5 m / 7 m 43 lm / 44 lm		
37273	37274	37275	V2A	1	Escape route 248 lm	Escape route 143 lm	Escape route 40 lm	2 x LTO 7.2 V / 0.5 Ah	4.85 VA
					Area 3.5 m / 7 m 265 lm / 271 lm	Area 3.5 m / 7 m 152 lm / 157 lm	Area 3.5 m / 7 m 43 lm / 44 lm		

CLASSIC SELF-CONTAINED SUPPLY

Autotest Order code	Logica Order code	Logica FM Order code	Version	LED	Φ= 1 h	Φ= 3 h		S~
Surface wall mounting for escape route illumination or area illumination with 3 changeable lenses								
36123	36124	36125	V2A, white	1	Escape route 248 lm	Escape route 167 lm	NiMH 7.2 V / 1.2 Ah	8 VA
					Area 3.5 m / 7 m 265 lm / 271 lm	Area 3.5 m / 7 m 177 lm / 182 lm		
36129	36130	36131	V2A	1	Escape route 248 lm	Escape route 167 lm	NiMH 7.2 V / 1.2 Ah	8 VA
					Area 3.5 m / 7 m 265 lm / 271 lm	Area 3.5 m / 7 m 177 lm / 182 lm		



DECENTRAL SUPPLY

Sicuro24 Order code	Version	LED	Φ=	P=
Surface wall mounting for escape route illumination or area illumination with 3 changeable lenses ¹				
32057	V2A, white	1	Escape route 248 lm	3.8 W
			Area 3.5 m / 7 m 265 lm / 271 lm	
32058	V2A	1	Escape route 248 lm	3.8 W
			Area 3.5 m / 7 m 265 lm / 271 lm	



CENTRAL SUPPLY

Sicuro230 Order code	Version	LED	Φ=	S~	P=
Surface wall mounting for escape route illumination or area illumination with 3 changeable lenses ¹					
31056	V2A, white	1	Escape route 248 lm	8.3VA / 4.1 W	
			Area 3.5 m / 7 m 265 lm / 271 lm		
31057	V2A	1	Escape route 248 lm	8.3VA / 4.1 W	
			Area 3.5 m / 7 m 265 lm / 271 lm		

¹ Please order additional required accessories for bollard separately.

Please order accessories separately

Order code	Description
F95940	Bollard for S230 and S24, stainless sheet steel, V2A, white (RAL 9010)
F95941	Bollard for S230 and S24, stainless sheet steel, V2A