

## INFINITA LED RTI

Escape sign and safety luminaire with housing and cover made of polycarbonate (PC). High type of protection (IP65) and high impact resistance (IK08). Numerous cable entries. The RTI system offers a very homogeneous illumination of the escape sign foils as well as a glare-free light distribution when used as safety luminaire. With the special LED technology (for mounting heights of 2 m to over 12 m, luminaire distances for escape routes of up to 34 m) both escape routes and areas can be illuminated very efficiently.

Versions for surface wall and ceiling mounting and with additional accessories for recessed wall and ceiling mounting, pendulum, bracket and chain/wire

### MOUNTING TYPES



### MOUNTING TYPES WITH ACCESSORIES



### TECHNICAL DATA

<b>Housing:</b>	Polycarbonate, white (RAL 9003)	<b>Color temperature:</b>	4.000 K
<b>Cover:</b>	Polycarbonate, transparent	<b>Color rendering index:</b>	80
<b>Service life L<sub>80</sub>B<sub>20</sub>:</b>	50.000 h		



### SELF-CONTAINED SUPPLY

<b>Mains supply:</b>	198 V – 254 V / 50 Hz
<b>Switching:</b>	Maintained and non-maintained
<b>Ambient temperature:</b>	-20 °C to +45 °C
<b>Protection class:</b>	II

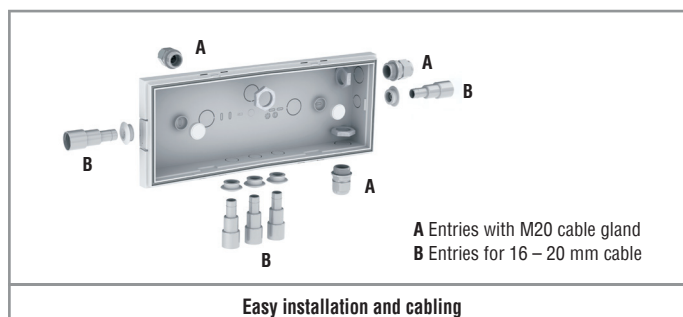
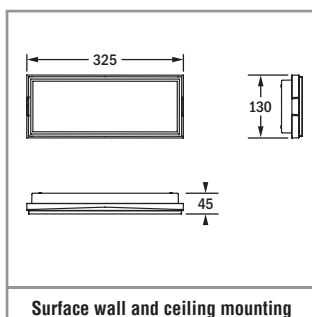
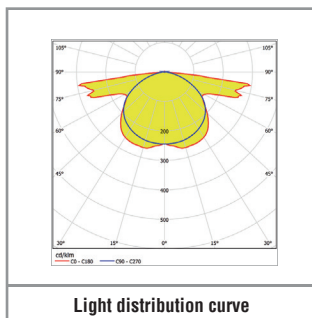
### DECENTRAL SUPPLY

<b>Mains supply:</b>	24 V +/- 20 % DC
<b>Battery supply:</b>	24 V +/- 20 % DC
<b>Ambient temperature:</b>	-20 °C to +40 °C
<b>Protection class:</b>	III with connection only to low voltage, II with additional connection to voltages above low voltage

### CENTRAL SUPPLY

<b>Mains supply:</b>	198 V – 254 V / 50 Hz
<b>Battery supply:</b>	176 V – 276 V
<b>Ambient temperature:</b>	-20 °C to +40 °C
<b>Protection class:</b>	II
<b>Mains supply (alt.):</b>	90 V – 254 V / 50/60 Hz <sup>12</sup>
<b>Battery supply (alt.):</b>	90 V – 276 V <sup>12</sup>

<sup>12</sup> For order code 31170





## SELF-CONTAINED SUPPLY

Autotest / CableCom Order code <sup>11</sup>	Autotest / Logica Ultimate Order code	Logica FM Ultimate Order code							
Surface wall mounting (1-sided escape route indication / illumination), surface ceiling mounting (2-sided escape route indication / illumination) <sup>1</sup>									
19452 <sup>4</sup>	-	-	25 m	16	250 lm	90 lm	40 lm	LTO 4.8 V / 0.5 Ah	3 VA
19453 <sup>5</sup>	-	-	25 m	16	500 lm	180 lm	70 lm	LTO 4.8 V / 1.2 Ah	8 VA
19460 <sup>6</sup>	-	-	25 m	16	1.000 lm	370 lm	145 lm	2 x LTO 4.8 V / 1.2 Ah	8 VA
-	19470	19470+15037 <sup>2</sup>	25 m	16	850 lm / 1.700 lm <sup>3</sup>	350 lm / 620 lm <sup>3</sup>	-	LTO 9.6 V / 1.2 Ah	12-22 VA

## DECENTRAL SUPPLY

Sicuro24 Order code				
Surface wall mounting (1-sided escape route indication / illumination), surface ceiling mounting (2-sided escape route indication / illumination) <sup>1</sup>				
32110 <sup>7</sup>	25 m	16	500 lm	3.9 W
32111 <sup>8</sup>	25 m	16	500 lm	4.3 W

<sup>1</sup> Please order additional required accessories for recessed wall and ceiling mounting, pendulum, bracket and chain/wire separately.

<sup>2</sup> Please order Logica FM interface (15037) separately.

<sup>3</sup> Please order subsidiary battery separately.

<sup>4</sup> Version L (large light flux in battery operation) through battery LTO 4.8 V / 0.5 Ah.

<sup>5</sup> Version XL (extra large light flux in battery operation) through battery LTO 4.8 V / 1.2 Ah.

<sup>6</sup> Version GL (enormous large light flux in battery operation) through battery 2x LTO 4.8 V / 1.2 Ah.

<sup>11</sup> Autotest / CableCom: Operating duration 1 h / 3 h adjustable on luminaire. Operating duration 1 h / 1.5 h / 2 h / 3 h / 8 h adjustable with software B.connect over Opticom interface (with suitable smartphone) or central test device CableCom Connect. Internet link to compatibility list of all tested smartphones – [opticom.beghelli.it/#/Devices](http://opticom.beghelli.it/#/Devices)

### Version ULTIMATE for LTO

ULTIMATE = particularly high light fluxes in battery operation using the subsidiary battery RA04.

### Version L for CableCom

L = large light flux in battery operation.

### Version XL for CableCom

L = extra large light flux in battery operation.

### Version GL for CableCom

L = enormous large light flux in battery operation.

### Version L for Sicuro24

L = large light flux of 500 lm in mains operation. With S24 driver module G31445.

## CENTRAL SUPPLY

Sicuro230 Order code					
Surface wall mounting (1-sided escape route indication / illumination), surface ceiling mounting (2-sided escape route indication / illumination) <sup>1</sup>					
31170 <sup>9</sup>	25 m	16	500 lm	8.6 VA / 4.5 W	
31171 <sup>10</sup>	25 m	16	1.500 lm	16.3 VA / 15.1 W	

<sup>7</sup> Version L (large light flux of 500 lm in mains operation) with S24 driver module G31445.

<sup>8</sup> Version XL (extra large light flux of 1500 lm in mains operation, light switch query and sub distribution monitoring) with S24 inverter module G31446 and LED driver.

<sup>9</sup> Version L (large light flux of 500 lm in mains and battery operation) with S230 driver module 17380.

<sup>10</sup> Version XL (extra large light flux of 1500 lm in mains and battery operation, light switch query and sub distribution monitoring) with S230 module 17382 and LED driver.

### Version XL for Sicuro24

XL = extra large light flux of 1500 lm in mains operation. Factory-made with light switch query and sub distribution monitoring through S24 inverter module G31446 in combination with a LED driver.

### Version L for Sicuro230

L = large light flux of 500 lm in mains and battery operation. With S230 driver module 17380.

### Version XL for Sicuro230

XL = extra large light flux of 1500 lm in mains and battery operation. Factory-made with light switch query and sub distribution monitoring through S230 module 17382 in combination with a LED driver.

### Included in scope of delivery

Order code	Description	
4682	Set of escape sign foils, VD 25 m	

### Please order accessories separately

Order code	Description
4683	Recessed mounting set for massive walls / massive ceilings (concrete-cast housing)
4685	Wall holder, not swiveable (-45°)
4686	Bracket
4687	Recessed mounting set for hollow walls / hollow ceilings
4315	Tubular pendulum, round, 250 mm
4316	Tubular pendulum, round, 500 mm
4317	Tubular pendulum, round, 1.000 mm
3723	Adaptor for chain mounting and wire mounting
3912	Protective basket (only for surface wall and ceiling mounting without 4681 / 4685)

### Please order further accessories separately (only for LTO, versions Logica Ultimate and Logica FM Ultimate)

Order code	Description
15037	Logica FM interface
15038	DALI interface (for connection to DALI central of the general or safety lighting)
RA04	Subsidiary battery LTO 9.6 V / 1.2 Ah

### Please order escape sign accessories separately

Order code	Description
4681	High cover for ceiling mounting as escape sign luminaire, opal, VD 25 m