



DISPOS EVO

Housing in angular design made of sheet steel or stainless sheet steel in universal versions. 1- or 2-sided escape route indication through exchangeable display panes.

Versions for surface wall and ceiling mounting and with additional accessories for recessed ceiling mounting, pendulum and bracket

MOUNTING TYPES



MOUNTING TYPES WITH ACCESSORIES



TECHNICAL DATA

Housing: Sheet steel, white (RAL 9010)
stainless sheet steel, V2A

Display pane: PMMA, printed

Service life $L_{80}B_{20}$: 50.000 h

Color stability: 3 SDCM

Color temperature: 4.000 K

Color rendering index: 80



SELF-CONTAINED SUPPLY

Mains supply: 198 V – 254 V / 50 Hz

Switching: Maintained and non-maintained

Ambient temperature: LTO: -20 °C to +45 °C
Classic: 0 °C to +40 °C

Protection class: I

DECENTRAL SUPPLY

Mains supply: 24 V +/- 20 % DC

Battery supply: 24 V +/- 20 % DC

Ambient temperature: -20 °C to +40 °C

Protection class: III

CENTRAL SUPPLY

Mains supply: 198 V – 254 V / 50 Hz

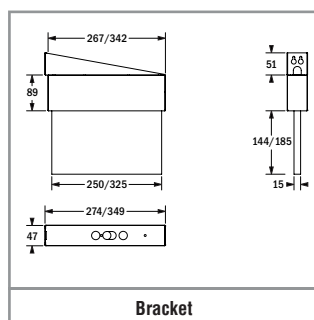
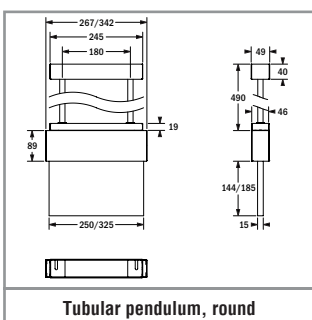
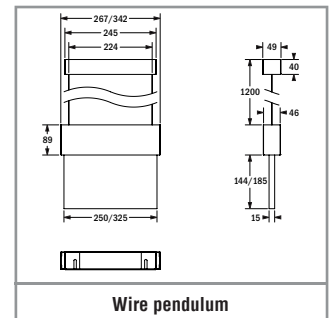
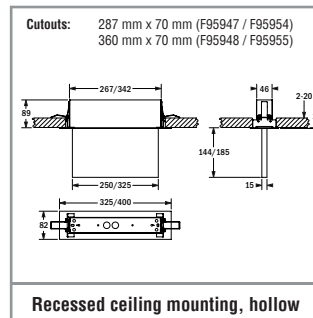
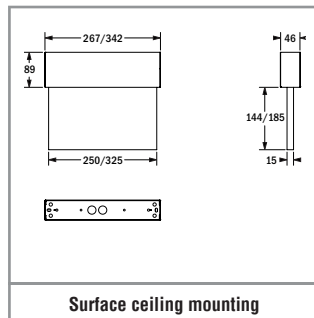
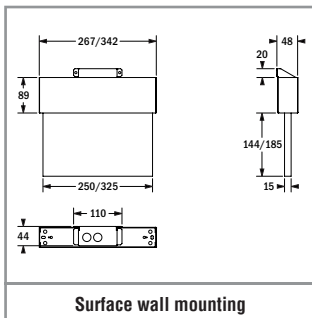
Battery supply: 176 V – 276 V

Ambient temperature: -20 °C to +40 °C

Protection class: I

Mains supply (alt.): 90 V – 254 V / 50/60 Hz

Battery supply (alt.): 90 V – 276 V





SELF-CONTAINED SUPPLY

| | | | | | | | |
|------------------------|----------------------|-------------------------|--|--|--|--|--|
| Autotest Order code | Logica Order code | Logica FM Order code | | | | | |
|------------------------|----------------------|-------------------------|--|--|--|--|--|

Housing white

Surface wall mounting (1-sided escape route indication), surface ceiling mounting (2-sided escape route indication)¹

| | | | | | | | |
|-------|-------|-------|------|----|-----------------|------------------------|---------|
| 37000 | 37001 | 37002 | 22 m | 24 | 1 h / 3 h / 8 h | 2 x LTO 7.2 V / 0.5 Ah | 4.85 VA |
| 37006 | 37007 | 37008 | 30 m | 48 | 1 h / 3 h / 8 h | 2 x LTO 7.2 V / 0.5 Ah | 4.85 VA |

Housing V2A

Surface wall mounting (1-sided escape route indication), surface ceiling mounting (2-sided escape route indication)¹

| | | | | | | | |
|-------|-------|-------|------|----|-----------------|------------------------|---------|
| 37003 | 37004 | 37005 | 22 m | 24 | 1 h / 3 h / 8 h | 2 x LTO 7.2 V / 0.5 Ah | 4.85 VA |
| 37009 | 37010 | 37011 | 30 m | 48 | 1 h / 3 h / 8 h | 2 x LTO 7.2 V / 0.5 Ah | 4.85 VA |

CLASSIC SELF-CONTAINED SUPPLY

| | | | | | | | | |
|------------------------|----------------------|-------------------------|--|--|--|--|--|--|
| Autotest Order code | Logica Order code | Logica FM Order code | | | | | | |
|------------------------|----------------------|-------------------------|--|--|--|--|--|--|

Housing white

Surface wall mounting (1-sided escape route indication), surface ceiling mounting (2-sided escape route indication)¹

| | | | | | | | | |
|-------|-------|-------|------|----|-----------|--------------------|--------------------|-------|
| 36000 | 36001 | 36002 | 22 m | 24 | 1 h / 3 h | NiMH 7.2V / 0.6 Ah | NiMH 7.2V / 1.2 Ah | 7 VA |
| 36006 | 36007 | 36008 | 30 m | 48 | 1 h / 3 h | NiMH 7.2V / 0.6 Ah | NiMH 7.2V / 1.2 Ah | 10 VA |

Housing V2A

Surface wall mounting (1-sided escape route indication), surface ceiling mounting (2-sided escape route indication)¹

| | | | | | | | | |
|-------|-------|-------|------|----|-----------|--------------------|--------------------|-------|
| 36003 | 36004 | 36005 | 22 m | 24 | 1 h / 3 h | NiMH 7.2V / 0.6 Ah | NiMH 7.2V / 1.2 Ah | 7 VA |
| 36009 | 36010 | 36011 | 30 m | 48 | 1 h / 3 h | NiMH 7.2V / 0.6 Ah | NiMH 7.2V / 1.2 Ah | 10 VA |

SICURO[®] DECENTRAL SUPPLY

| | | | |
|------------------------|--|--|--|
| Sicuro24 Order code | | | |
|------------------------|--|--|--|

Housing white

Surface wall mounting (1-sided escape route indication), surface ceiling mounting (2-sided escape route indication)¹

| | | | |
|-------|------|----|-------|
| 32000 | 22 m | 24 | 2.2 W |
| 32002 | 30 m | 48 | 4.3 W |

Housing V2A

Surface wall mounting (1-sided escape route indication), surface ceiling mounting (2-sided escape route indication)¹

| | | | |
|-------|------|----|-------|
| 32001 | 22 m | 24 | 2.2 W |
| 32003 | 30 m | 48 | 4.3 W |

SICURO[®] CENTRAL SUPPLY

| | | | | |
|-------------------------|--|--|--|--|
| Sicuro230 Order code | | | | |
|-------------------------|--|--|--|--|

Housing white

Surface wall mounting (1-sided escape route indication), surface ceiling mounting (2-sided escape route indication)¹

| | | | |
|-------|------|----|----------------|
| 31000 | 22 m | 24 | 5.8 VA / 2.5 W |
| 31002 | 30 m | 48 | 9.4 VA / 4.7 W |

Housing V2A

Surface wall mounting (1-sided escape route indication), surface ceiling mounting (2-sided escape route indication)¹

| | | | |
|-------|------|----|----------------|
| 31001 | 22 m | 24 | 5.8 VA / 2.5 W |
| 31003 | 30 m | 48 | 9.4 VA / 4.7 W |

¹ Please order additional required accessories for recessed ceiling mounting, pendulum and bracket separately.

² One-sided escape sign display panes and safety sign panes: Backside untransparent (white).

Two-sided escape sign display panes: Frontside corresponds to designation of arrow direction. Backside transparent (mirrored escape route indication and company logo).

Please order escape sign accessories separately²

| Order code | Description | |
|-----------------|--|--|
| VD 22 m | VD 30 m | |
| E16260M E16128M | Escape sign display pane, down (one-sided) | |
| E16263M E16132M | Escape sign display pane, up (one-sided) | |
| E16261M E16129M | Escape sign display pane, right (two-sided) | |
| E16262M E16130M | Escape sign display pane, left (two-sided) | |
| E16310M E16318M | Escape sign display pane, right down (two-sided) | |
| E16311M E16319M | Escape sign display pane, right up (two-sided) | |
| E16312M E16320M | Escape sign display pane, left down (two-sided) | |
| E16313M E16321M | Escape sign display pane, left up (two-sided) | |
| - E16435 | F001 safety sign pane fire extinguisher (one-sided) | |
| - E16436 | F002 safety sign pane extinguishing hose (one-sided) | |
| - E16437 | F005 safety sign pane fire detector (one-sided) | |

Included in scope of delivery

| Order code | Description | |
|------------|-------------|---|
| VD 22 m | VD 30 m | |
| F95951 | F95951 | Holder for surface wall mounting, white |
| F95958 | F95958 | Holder for surface wall mounting, V2A |

Please order accessories separately

| Order code | Description | |
|------------|-------------|--|
| VD 22 m | VD 30 m | |
| F95947 | F95948 | Recessed mounting set for hollow ceilings, white |
| F95954 | F95955 | Recessed mounting set for hollow ceilings, V2A |
| F95946 | F95946 | Wire pendulum, max. 1.200 mm, white |
| F95953 | F95953 | Wire pendulum, max. 1.200 mm, V2A |
| F95949 | F95950 | Bracket, white |
| F95956 | F95957 | Bracket, V2A |
| F95945 | F95945 | Tubular pendulum, round, 500 mm, white |
| F95952 | F95952 | Tubular pendulum, round, 500 mm, V2A |
| F95959 | F95960 | Recessed mounting set for massive ceilings (concrete-cast housing) |