

DOT



Downlight with housing made of sheet steel and cover in high type of protection made of polyhydroxyalkanoate (PHA), a biopolyester over-paintable with wall paint. One pair of high-power LEDs with light guidance through special lenses. Double optic in one luminaire – through a simple turn of the high-power LEDs either asymmetrical shining light distribution (illumination of escape routes with 1 lx) or symmetrical shining light distribution (illumination of areas with 0.5 lx). Laser module Orma for subsidiary escape route indication (only in emergency operation) through projection of an arrow symbol on the floor for version LTO available as accessory.

Version for recessed ceiling mounting

MOUNTING TYPES



TECHNICAL DATA

Housing:	Sheet steel, white (RAL 9010)	Service life $L_{80 B_{20}}$:	50.000 h
Cover:	PHA, white (RAL 9003)	Color stability:	3 SDCM
Lenses:	PMMA, transparent	Color temperature:	4.000 K
Type of protection:	IP65 (cover) IP20 (backside, equipment housing)	Color rendering index:	90



IP20

IP65

IK07

SELF-CONTAINED SUPPLY

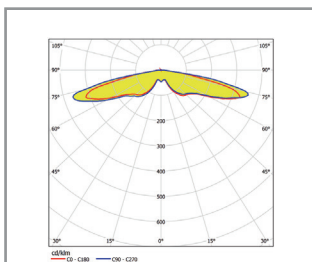
Mains supply:	198 V – 254 V / 50 Hz
Switching:	Maintained and non-maintained
Ambient temperature:	LTO: -20 °C to +45 °C LFP: 0 °C to +40 °C
Protection class:	I

DECENTRAL SUPPLY

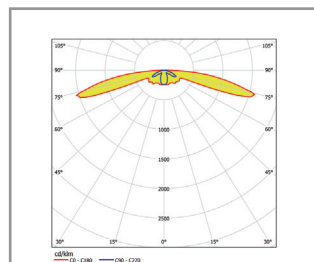
Mains supply:	24 V +/- 20 % DC
Battery supply:	24 V +/- 20 % DC
Ambient temperature:	-20 °C to +40 °C
Protection class:	III

CENTRAL SUPPLY

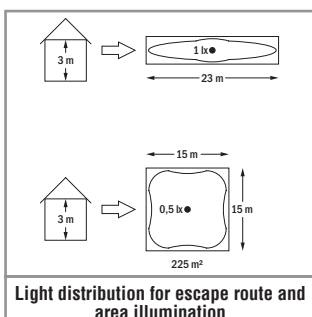
Mains supply:	198 V – 254 V / 50 Hz
Battery supply:	176 V – 276 V
Ambient temperature:	-20 °C to +40 °C
Protection class:	I
Mains supply (alt.):	90 V – 254 V / 50/60 Hz
Battery supply (alt.):	90 V – 276 V



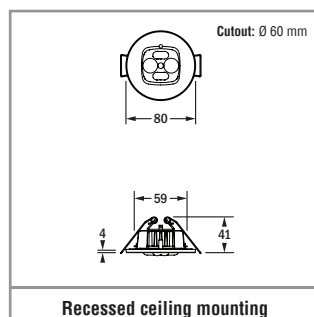
Symmetric wide-beam



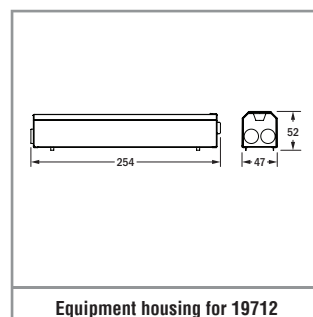
Asymmetric wide-beam



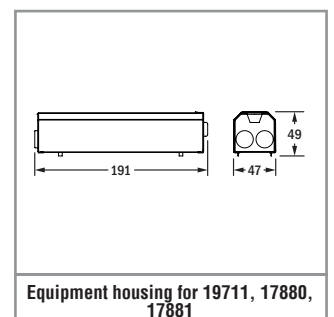
Light distribution for escape route and area illumination



Recessed ceiling mounting



Equipment housing for 19712



Equipment housing for 19711, 17880, 17881



SELF-CONTAINED SUPPLY

Autotest Order code	Logica Order code	Logica FM Order code	LED	Φ= 1 h	Φ= 3 h	Φ= 8 h		S~
Recessed ceiling mounting for escape route and area illumination								
19711	19711+15036 ¹	19711+15037 ¹	2	550 lm	200 lm	100 lm	2 x LTO 7.2 V / 0.5 Ah	9 VA

LFP SELF-CONTAINED SUPPLY

Autotest Order code	Logica Order code	Logica FM Order code	LED	Φ= 1 h	Φ= 3 h	Φ= 8 h		S~
Recessed ceiling mounting for escape route and area illumination								
19712 ³	19712 ³	19712+19375 ^{2,3}	2	1.000 lm	400 lm	–	LFP 12.8 V / 1.5 Ah	8.5 VA

SICURO^{LED} DECENTRAL SUPPLY

Sicuro24 Order code	LED	Φ=	P=
Recessed ceiling mounting for escape route and area illumination			
17881	2	550 lm	4.1 W

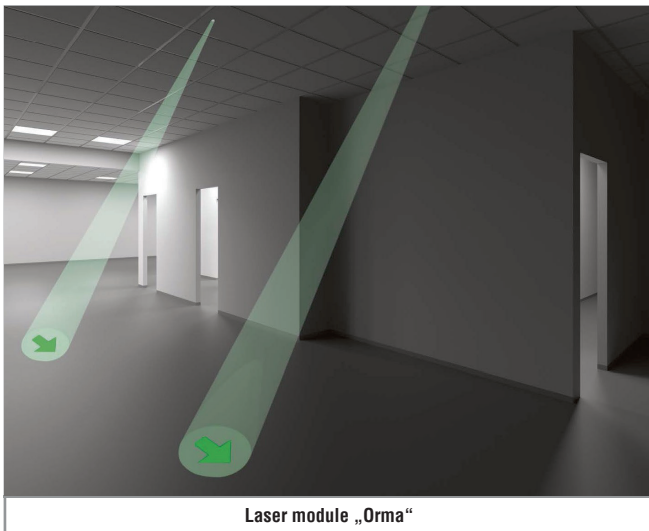
SICURO^{LED} CENTRAL SUPPLY

Sicuro230 Order code	LED	Φ=	S~	P=
Recessed ceiling mounting for escape route and area illumination				
17880	2	550 lm	9.4 VA / 4.7 W	

¹ Please order Logica interface (15036) and Logica FM interface (15037) separately.

² Please order Logica FM interface (19375) separately.

³ With LFP inverter module 19391.



Please order accessories separately

Order code	Description
15036	Logica interface for 19711
15037	Logica FM interface for 19711
15038	DALI interface for 19711 (for connection to DALI central of the general and safety lighting)
19375	Logica FM interface for 19712
19883	Laser module Orma for 19711