



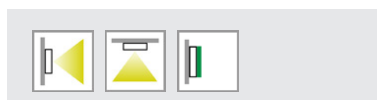
KUBUS65

Variable escape sign and safety luminaire in high type of protection.
 Housing made of sheet steel or stainless sheet steel with clear cover.
 Light guidance through high-specular aluminium reflector 1- or 2-sided
 escape route indication through self-adhesive foils. All (1-sided) lumi-
 naires for surface wall mounting / surface ceiling mounting are suitable
 for the use in sport sites as well as in the food industry according to IFS-
 Food (certificates of accredited body available).

Escape sign luminaire: Versions for surface wall mounting and with
 additional accessories for pendulum and bracket

Safety luminaire: Versions for surface wall and ceiling mounting

MOUNTING TYPES



MOUNTING TYPES WITH ACCESSORIES



TECHNICAL DATA

Housing:	Sheet steel, white (RAL 9003) Stainless sheet steel, V2A	Color stability:	3 SDCM
Cover:	PMMA, transparent	Color temperature:	4.000 K (ESL & SL)
Foil:	PVC, printed	Color rendering index:	80
Reflector:	Aluminium, specular	Optic interface:	LIFE
Service life L₈₀B₂₀:	50.000 h		
Commissioning:	For Autotest, operating duration, operating mode PS, monitoring group and test duration are only programmable per app B.connect over smartphone locally on luminaire.		

SELF-CONTAINED SUPPLY

Mains supply:	198 V – 254 V/50 Hz
Switching:	Maintained and non-maintained
Ambient temperature:	0 °C to +40 °C
Protection class:	I

DECENTRAL SUPPLY

Mains supply:	24 V +/- 20 % DC
Battery supply:	24 V +/- 20 % DC
Ambient temperature:	-20 °C to +40 °C
Protection class:	III

CENTRAL SUPPLY

Mains supply:	198 V – 254 V/50 Hz
Battery supply:	176 V – 276 V
Ambient temperature:	-20 °C to +40 °C
Protection class:	I
Mains supply (alt.):	90 V – 254 V / 50/60 Hz
Battery supply (alt.):	90 V – 276 V

Variant	
LIFE – used as safety luminaire	210 lm
Sicuro24 / Sicuro230 – used as safety luminaire	350 lm

Autotest / CableCom Order code	Logica Order code	Logica FM Order code	Version		LED	$\Phi=$ 1 h	$\Phi=$ 3 h	$\Phi=$ 8 h		S~
-----------------------------------	----------------------	-------------------------	---------	--	-----	-------------	-------------	-------------	--	----

Surface wall mounting (1-sided escape route indication / illumination), surface ceiling mounting (illumination)

37060	37061	37062	white ²	32 m	48	336 lm	168 lm	67 lm	LIFE 6.4 V / 1.5 Ah	8 VA
37066	37067	37068	V2A	32 m	48	336 lm	168 lm	67 lm	LIFE 6.4 V / 1.5 Ah	8 VA

Pendulum mounting adaptor (2-sided escape route indication)¹

37063	37064	37065	white ²	32 m	48	-	-	-	LIFE 6.4 V / 1.5 Ah	8 VA
37069	37070	37071	V2A	32 m	48	-	-	-	LIFE 6.4 V / 1.5 Ah	8 VA

SICURO DECENTRAL SUPPLY

Sicuro24 Order code	Version		LED	$\Phi=$	P=
------------------------	---------	--	-----	---------	----

Surface wall mounting (1-sided escape route indication / illumination), surface ceiling mounting (illumination)

32020	white ²	32 m	48	350 lm	4.3 W
32022	V2A	32 m	48	350 lm	4.3 W

Pendulum mounting adaptor (2-sided escape route indication)¹

32021	white ²	32 m	48	-	4.3 W
32023	V2A	32 m	48	-	4.3 W

¹ Please order additional accessories for pendulum and bracket separately. Luminaires with pendulum mounting adaptor are required for all types of pendulums as well as the bracket.

² Version white only suitable for the interior area.

SICURO CENTRAL SUPPLY

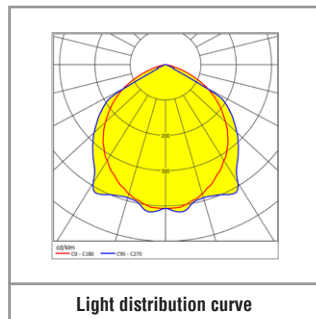
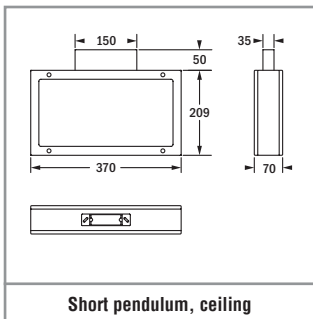
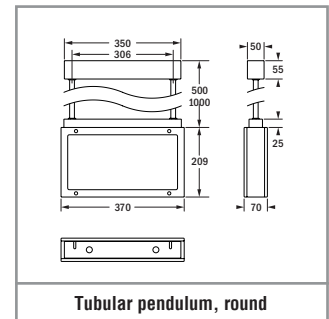
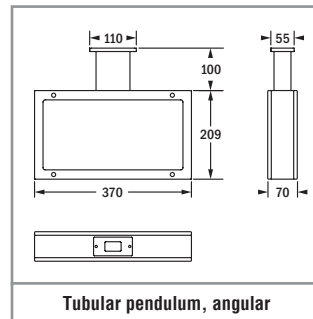
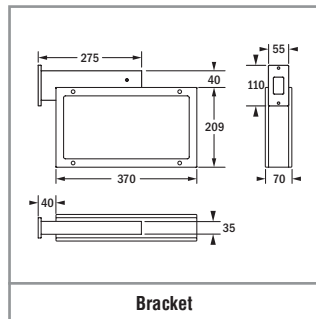
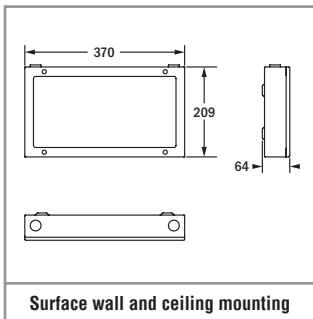
Sicuro230 Order code	Version		LED	$\Phi=$	S~	P=
-------------------------	---------	--	-----	---------	----	----

Surface wall mounting (1-sided escape route indication / illumination), surface ceiling mounting (illumination)

31020	white ²	32 m	48	350 lm	9.4 VA / 4.7 W
31022	V2A	32 m	48	350 lm	9.4 VA / 4.7 W

Pendulum mounting adaptor (2-sided escape route indication)¹

31021	white ²	32 m	48	-	9.4 VA / 4.7 W
31023	V2A	32 m	48	-	9.4 VA / 4.7 W



Please order escape sign accessories separately

Order code	Description	
E16700M	Set of escape sign foils	
E16701M	Set of escape sign foils	
E16708M	Escape sign foil	
E16709M	Escape sign foil	
E16788M	Escape sign foil	
E16789M	Escape sign foil	

Please order accessories separately

Order code	Description	
White	V2A	
F95612	F95613	Short pendulum for ceiling mounting
F95603	F95608	Tubular pendulum, angular, 100 mm
F95604	F95609	Tubular pendulum, round, 500 mm
F95605	F95610	Tubular pendulum, round, 1.000 mm
F95606	F95611	Bracket
F95607	F95607	Protective basket (only for surface wall or ceiling mounting without pendulum, bracket)