



F30 / F50 / F70 LED

High protection class combined general and safety luminaire with high impact strength. Spotlight in housing made of die-cast aluminium with tempered glass insert and microprismatic, highly reflective aluminium reflector. The insert is attached to the housing with stainless steel hinges and locks. Swivelling mounting (+/- 180°). Light distribution can be emitted symmetrically over a wide area or emitted asymmetrically over a narrow area, can be changed.

Versions for wall mounting or floor mounting

Also available as a luminaire for general lighting

MOUNTING OPTIONS



TECHNICAL DATA

Housing: Die cast aluminium, grey (RAL 7035)
Display pane: Tempered glass, microprismatic
Reflector: Aluminium, specular

Service life L80B20: 50.000 h
Color stability: 3 SDCM



SELF-CONTAINED SUPPLY

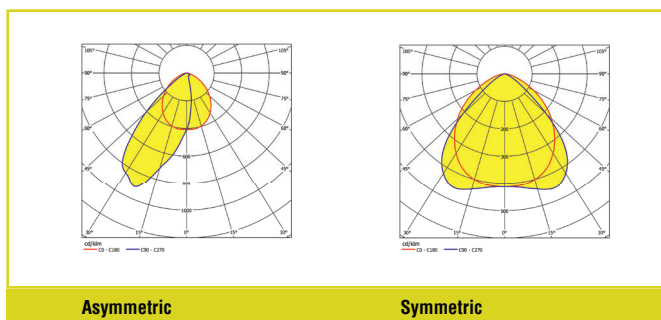
Mains supply: 198 V–254 V/50 Hz
Specification: Maintained or non-maintained mode
Ambient temperature: LTO: -20 °C to +50 °C
Protection class: I

DECENTRAL SUPPLY

Battery supply: 24 V +/- 20% DC
Mains supply: 24 V +/- 20% DC
Ambient temperature: -20 °C to +40 °C
Protection class: I / III

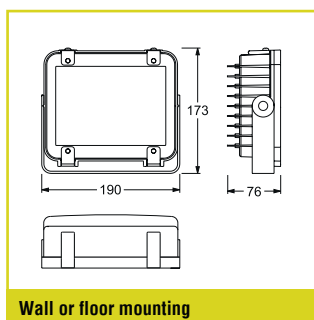
CENTRAL SUPPLY

Battery supply: 176 V–276 V
Mains supply: 198V–254V/50Hz
Ambient temperature: -20 °C to +40 °C
Protection class: I

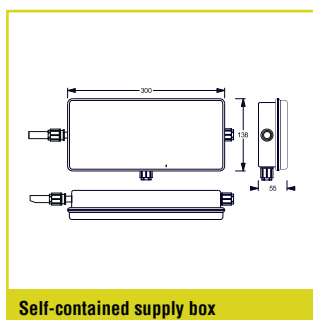


Asymmetric

Symmetric



Wall or floor mounting




Self-contained supply box

Data as mains luminaire Order code	LED	P	Φ	T _c	R _a
37219 / 37220 / 32071 / 31100	33	17 W	1.800 lm	4.000 K	>80
37221 / 37222 / 32072 / 31101	66	26 W	3.000 lm	4.000 K	>80
37223 / 37224 / 32073 / 31102	99	37 W	4.000 lm	4.000 K	>80



SELF-CONTAINED SUPPLY

Autotest Order code	Logica Order code	Logica FM Order code	LED	Φ 1 h	Φ 3 h	Φ 8 h		S~
Surface wall mounting, floor mounting suitable for escape route lighting								
37219	37219	37220	33	1.050 lm	350 lm	130 lm	LTO 14.4 V / 1.2 Ah	21 VA
37221	37221	37222	66	1.050 lm	380 lm	140 lm	LTO 14.4 V / 1.2 Ah	31 VA
37223	37223	37224	99	1.080 lm	360 lm	135 lm	LTO 14.4 V / 1.2 Ah	44 VA


 DECENTRAL SUPPLY

Sicuro24 Order code	LED	Φ	P=
Surface wall mounting, floor mounting suitable for escape route lighting			
32071	33	635 lm / 1.270 lm ³	8 W / 16 W ³
32072	66	690 lm / 1.380 lm ³	8 W / 16 W ³
32073	99	650 lm / 1.290 lm ³	8 W / 16 W ³


 CENTRAL SUPPLY

Sicuro230 Order code	LED	Φ	S~	P=
Surface wall mounting, floor mounting suitable for escape route lighting				
31100	33	1.800 lm ³	20.5 VA / 17 W	
31101	66	3.000 lm ³	30.5 VA / 26 W	
31102	99	4.000 lm ³	43 VA / 37 W	

³ Programmable via decentral supply