

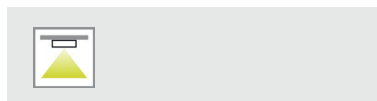


## ALU-K

**Housing made of flat aluminium profiles with angular contours and a clear insert.** High-power LED with lighting control through special lenses for asymmetrically-emitted light distribution (illumination of paths with 1 lx), or for symmetrically emitted light distribution (illumination of surfaces with 0.5 lx)

Versions for surface ceiling mounting

### MOUNTING OPTIONS



### TECHNICAL DATA

**Housing:** Aluminium, anodized  
**Display pane:** Methacrylate, clear  
**Reflector:** Aluminium, specular

**Service life  $L_{80/B_{20}}$ :** 50.000 h  
**Color stability:** 3 SDCM



### SELF-CONTAINED SUPPLY

**Mains supply:**  
198 V–254 V/50 Hz

**Specification:**  
Maintained or non-maintained mode

**Ambient temperature:**  
LTO: -20 °C to +50 °C  
Classic: 0 °C to +40 °C

**Protection class:**  
I

### DECENTRAL SUPPLY

**Battery supply:**  
24V +/- 20% DC

**Mains supply:**  
24V +/- 20% DC

**Ambient temperature:**  
-20 °C to +40 °C

**Protection class:**  
III

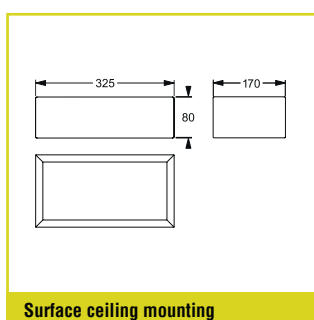
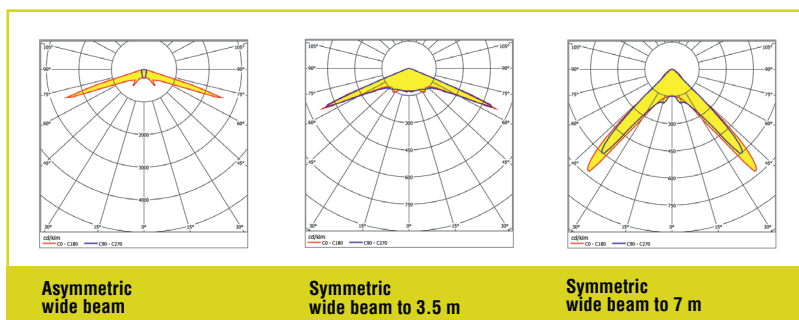
### CENTRAL SUPPLY

**Battery supply:**  
176 V–276 V

**Mains supply:**  
198V–254V/50Hz

**Ambient temperature:**  
-20 °C to +40 °C

**Protection class:**  
I





## SELF-CONTAINED SUPPLY

Autotest Order code	Logica Order code	Logica FM Order code	LED	Φ 1 h	Φ 3 h	Φ 8 h		S~
Surface ceiling mounting suitable for escape route lighting and area lighting with 2 changeable lenses								
37051	37052	37053	1	Escape route 232 lm	Escape route 134 lm	Escape route 37 lm	2 x LTO 7.2 V / 0.5 Ah	4.85 VA
				Area 234 / 238 lm	Area 135 / 137 lm	Area 38 / 38 lm		

## CLASSIC SELF-CONTAINED SUPPLY

Autotest Order code	Logica Order code	Logica FM Order code	LED	Φ 1 h	Φ 3 h	Autotest	Logica	S~
Surface ceiling mounting suitable for escape route lighting and area lighting with 2 changeable lenses								
36051	36052	36053	1	Escape route 232 lm	Escape route 156 lm	NiMH 7.2V / 0.6 Ah	NiMH 7.2V / 1.2 Ah	8 VA
				Area 234 / 238 lm	Area 158 / 160 lm			

## DECENTRAL SUPPLY

Sicuro24 Order code	LED	Φ	P=
Surface ceiling mounting suitable for escape route lighting and area lighting with 2 changeable lenses			
32017	1	Escape route 232 lm	3.8 W
		Area 234 / 238 lm	

## CENTRAL SUPPLY

Sicuro230 Order code	LED	Φ	S~	P=
Surface ceiling mounting suitable for escape route lighting and area lighting with 2 changeable lenses				
31017	1	Escape route 232 lm	8.3VA / 4.1 W	
		Area 234 / 238 lm		

Please order additional equipment separately

Order code	Description
F95724	Wire guard