

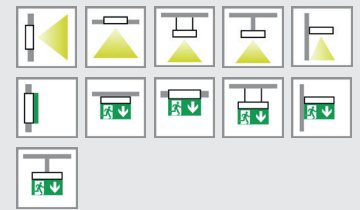
FORMULA65



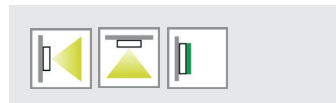
High type of protection. Housing with convex shaped light outlet area and clear cover with click-closures. Light guidance through plastic reflector. 1-sided escape route indication (viewing distance 25 m) through self-adhesive escape sign foils, 2-sided escape route indication (viewing distance 30 m) through escape sign display pane. 48 mm housing depth for the series LTO and Classic, 63 mm housing depth for the series LFP, S24 and S230.

Versions for surface wall and ceiling mounting and with additional accessories for recessed wall mounting, recessed ceiling mounting, pendulum, bracket and chain/wire

MOUNTING TYPES WITH ACCESSORIES



MOUNTING TYPES



TECHNICAL DATA

Housing: Polycarbonate, white (RAL 9003)
Cover: Polycarbonate, transparent
Display pane: PMMA (pane, transparent) / Polycarbonate (foil, printed)
Foil: PVC, printed
Reflector: Polycarbonate, white

Service life $L_{80B_{50}}$: 50.000 h
Color stability: 3 SDCM
Color temperature: 5.000 K
Color rendering index: 90



SELF-CONTAINED SUPPLY

Mains supply: 198 V – 254 V / 50 Hz
Switching: Maintained and non-maintained
Ambient temperature: LTO: -20 °C to +45 °C
 Classic: 0 °C to +40 °C
 LFP: 0 °C to +40 °C
Protection class: II

DECENTRAL SUPPLY

Mains supply: 24 V +/- 20 % DC
Battery supply: 24 V +/- 20 % DC
Ambient temperature: -20 °C to +40 °C
Protection class: III with connection only to low voltage, II with additional connection to voltages above low voltage

CENTRAL SUPPLY

Mains supply: 198 V – 254 V / 50 Hz
Battery supply: 176 V – 276 V
Ambient temperature: -20 °C to +40 °C
Protection class: II
Mains supply (alt.): 90 V – 254 V / 50/60 Hz¹⁰
Battery supply (alt.): 90 V – 276 V¹⁰

¹⁰ For order code 31124

Version ULTIMATE LS-UV for Sicuro24

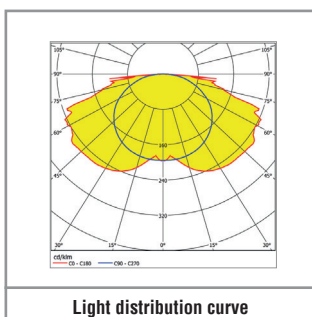
ULTIMATE = particularly high light flux of 1600 lm in mains operation. Factory-made with light switch query (LS) and sub distribution monitoring (UV) through S24 inverter module G31446 in combination with a LED driver.

Version LS-UV for Sicuro230

Factory-made with light switch query (LS) and sub distribution monitoring (UV) through S230 module 17382 in combination with a LED driver.

Version ULTIMATE LS-UV for Sicuro230

ULTIMATE = particularly high light flux of 1600 lm in mains and battery operation. Factory-made with light switch query (LS) and sub distribution monitoring (UV) through S230 module 17382 in combination with a LED driver.





SELF-CONTAINED SUPPLY

Autotest Order code	Logica Order code	Logica FM Order code			$\Phi=$ 1h	$\Phi=$ 3h	$\Phi=$ 8h		
Surface wall mounting (1-sided escape route indication / illumination), surface ceiling mounting (2-sided escape route indication / illumination) ¹									
19296	19296+15036 ²	19296+15037 ³	25 m	22	800 lm	-	-	2 x LTO 4.8 V / 1.2 Ah	13 VA
19296-3H	19296+15036 ²	19296+15037 ³	25 m	22	-	280 lm	-	2 x LTO 4.8 V / 1.2 Ah	13 VA
19296-8H	19296+15036 ²	19296+15037 ³	25 m	22	-	-	115 lm	2 x LTO 4.8 V / 1.2 Ah	13 VA

LFP SELF-CONTAINED SUPPLY

Autotest Order code	Logica Order code	Logica FM Order code			$\Phi=$ 1h	$\Phi=$ 3h		
Surface wall mounting (1-sided escape route indication / illumination), surface ceiling mounting (2-sided escape route indication / illumination) ¹								
19433	19435	19435+15037 ³	25 m	32	1.200 lm / 2.200 lm (RA06) ⁴	450 lm / 900 lm (RA06) ⁴	LFP 9.6 V / 1.5 Ah	12-22 VA

CLASSIC SELF-CONTAINED SUPPLY

Autotest Order code			$\Phi=$ 1h	$\Phi=$ 3h		
Surface wall mounting (1-sided escape route indication / illumination), surface ceiling mounting (2-sided escape route indication / illumination) ¹						
R2436SA	25 m	12	315 lm / 550 lm (RA01) ⁴	160 lm / 275 lm (RA01) ⁴	NiMH 3.6V / 1.2 Ah	8.5 VA



DECENTRAL SUPPLY

Sicuro24 Order code			$\Phi=$	$P=$
Surface wall mounting (1-sided escape route indication / illumination), surface ceiling mounting (2-sided escape route indication / illumination) ¹				
32094 ⁵	25 m	32	400 lm	3.8 W
32091 ⁶	25 m	32	400 lm	4.3 W



CENTRAL SUPPLY

Sicuro230 Order code			$\Phi=$	$S\sim$	$P=$
Surface wall mounting (1-sided escape route indication / illumination), surface ceiling mounting (2-sided escape route indication / illumination) ¹					
31124 ⁷	25 m	32	400 lm	8.5 VA / 4.1 W	
31125 ⁸	25 m	32	600 lm	8.1 VA / 6.4 W	
31150 ⁸	25 m	32	1.000 lm	12 VA / 10.4 W	
31122 ⁹	25 m	32	1.600 lm	15.9 VA / 15 W	

¹ Please order additional required accessories for recessed wall and ceiling mounting, pendulum, bracket and chain/wire separately. The pendulum mounting adaptors are needed for all types of pendulums, but not for the bracket.

² Please order Logica interface (15036) separately.

³ Please order Logica FM interface (15037) separately.

⁴ Please order subsidiary battery separately.

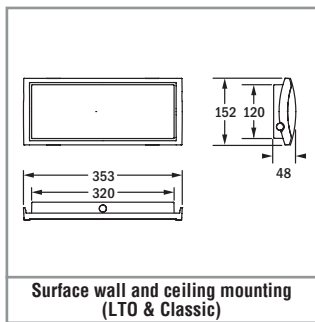
⁵ With S24 driver module G31445.

⁶ Version Ultimate LS-UV (light switch query and sub distribution monitoring) with S24 inverter module G31446 and LED driver.

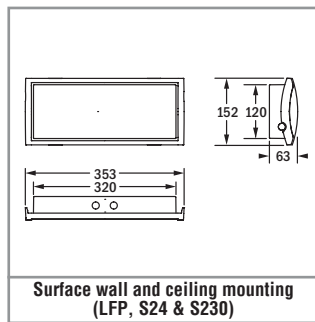
⁷ With S230 driver module 17380.

⁸ Version LS-UV (light switch query and sub distribution monitoring) with S230 module 17382 and LED driver.

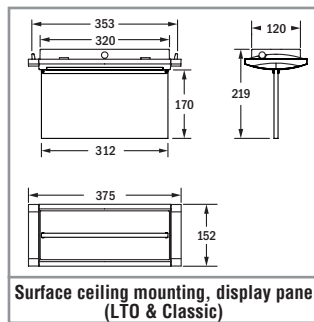
⁹ Version Ultimate LS-UV (light switch query and sub distribution monitoring) with S230 module 17382 and LED driver.



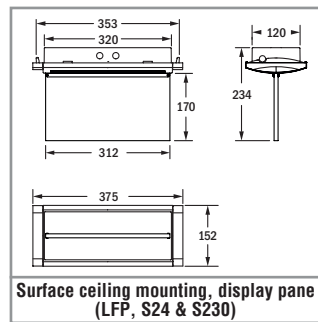
Surface wall and ceiling mounting (LTO & Classic)



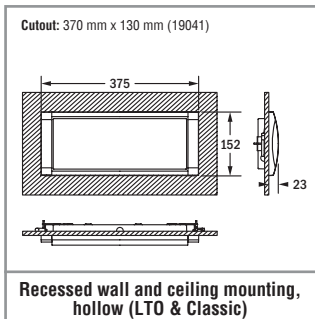
Surface wall and ceiling mounting (LFP, S24 & S230)



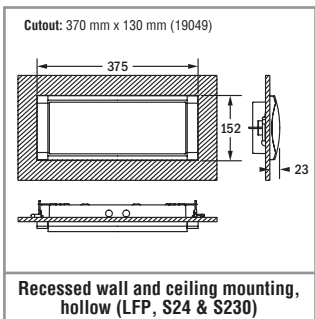
Surface ceiling mounting, display pane (LTO & Classic)



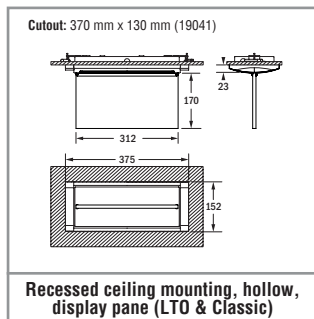
Surface ceiling mounting, display pane (LFP, S24 & S230)



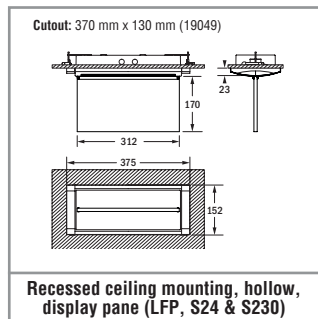
Recessed wall and ceiling mounting, hollow (LTO & Classic)



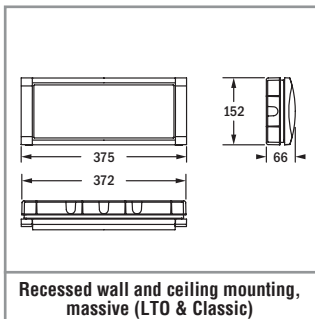
Recessed wall and ceiling mounting, hollow (LFP, S24 & S230)



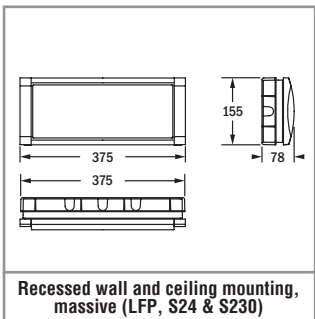
Recessed ceiling mounting, hollow, display pane (LTO & Classic)



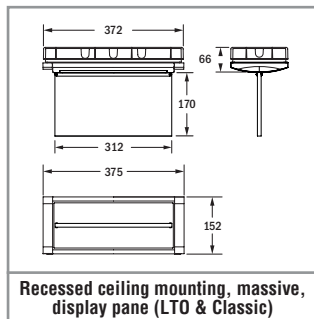
Recessed ceiling mounting, hollow, display pane (LFP, S24 & S230)



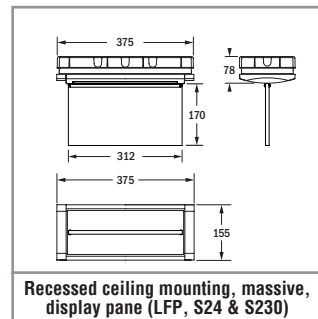
Recessed wall and ceiling mounting, massive (LTO & Classic)



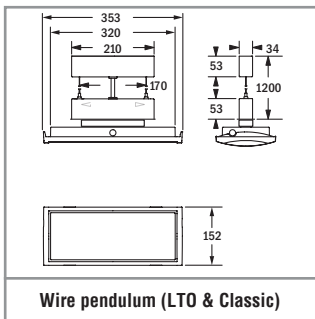
Recessed wall and ceiling mounting, massive (LFP, S24 & S230)



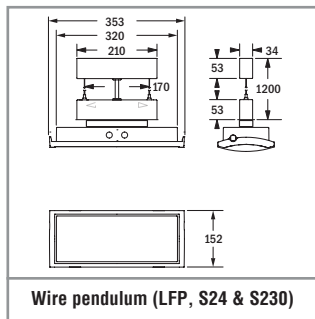
Recessed ceiling mounting, massive, display pane (LTO & Classic)



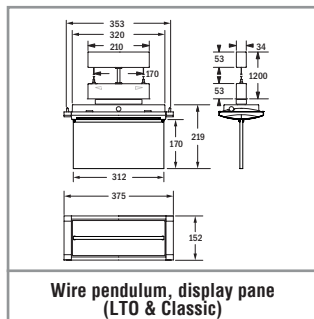
Recessed ceiling mounting, massive, display pane (LFP, S24 & S230)



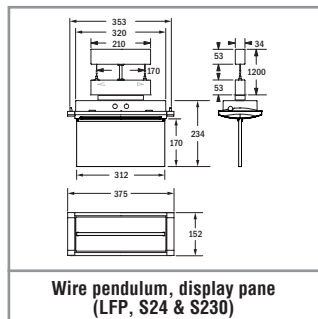
Wire pendulum (LTO & Classic)



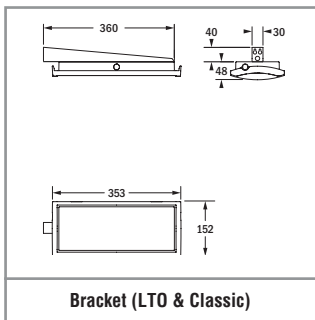
Wire pendulum (LFP, S24 & S230)



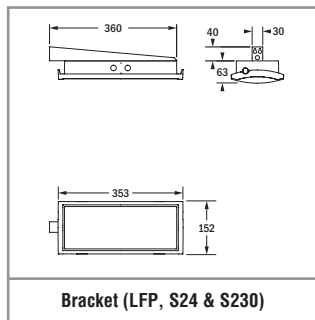
Wire pendulum, display pane (LTO & Classic)



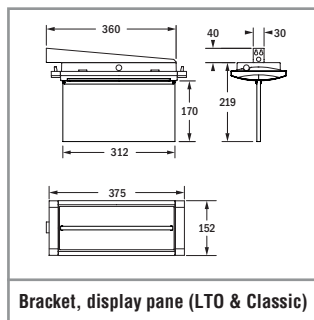
Wire pendulum, display pane (LFP, S24 & S230)



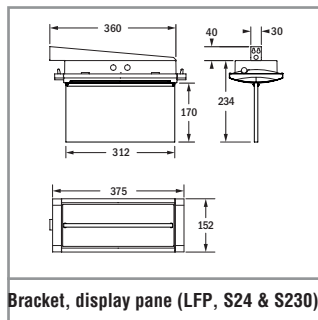
Bracket (LTO & Classic)



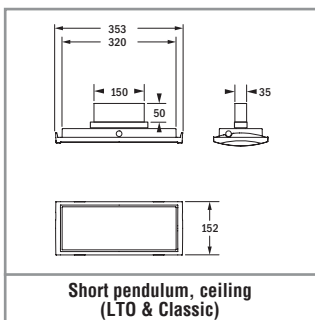
Bracket (LFP, S24 & S230)



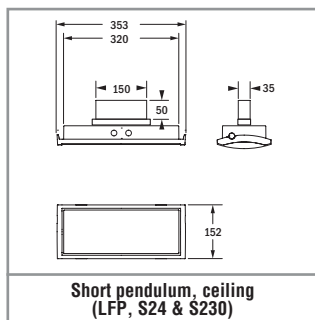
Bracket, display pane (LTO & Classic)



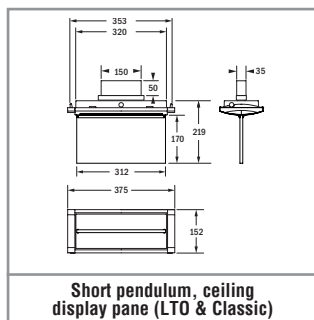
Bracket, display pane (LFP, S24 & S230)



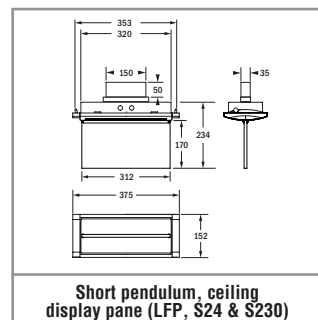
Short pendulum, ceiling (LTO & Classic)



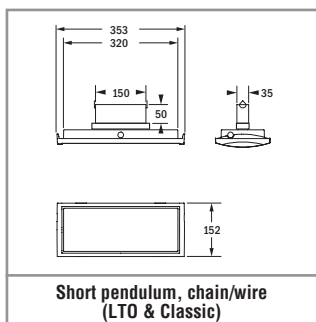
Short pendulum, ceiling (LFP, S24 & S230)



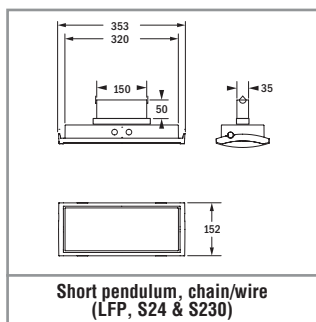
Short pendulum, ceiling display pane (LTO & Classic)



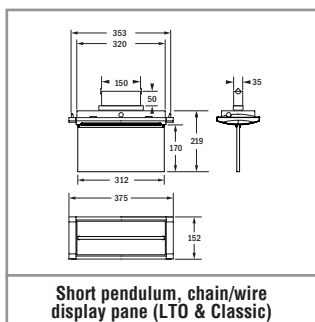
Short pendulum, ceiling display pane (LFP, S24 & S230)



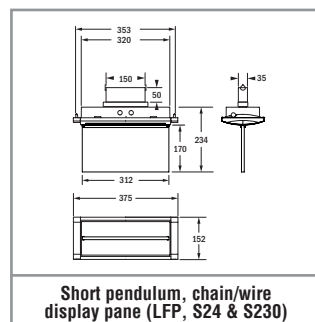
Short pendulum, chain/wire (LTO & Classic)



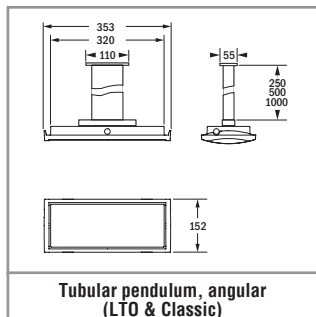
Short pendulum, chain/wire (LFP, S24 & S230)



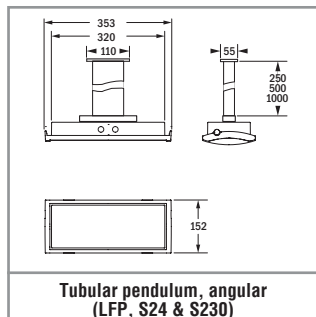
Short pendulum, chain/wire display pane (LTO & Classic)



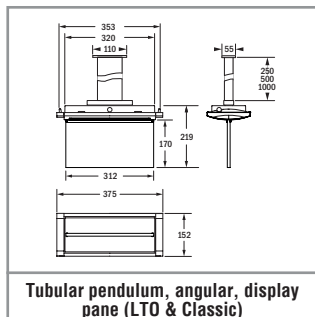
Short pendulum, chain/wire display pane (LFP, S24 & S230)



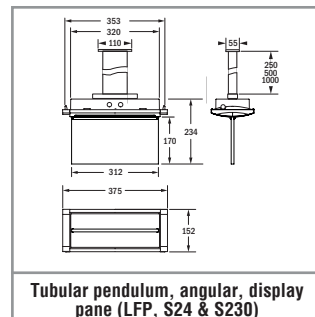
Tubular pendulum, angular (LTO & Classic)



Tubular pendulum, angular (LFP, S24 & S230)



Tubular pendulum, angular, display pane (LTO & Classic)



Tubular pendulum, angular, display pane (LFP, S24 & S230)



Mounting in hollow ceilings (LTO & Classic) – Order code 19041



Mounting in massive walls (LTO & Classic) – Order code 19040



Easy mounting with integrated water level

Please order accessories separately

Order code	Description
VD 25 m	VD 30 m
F95943	F95943 Pendulum mounting adaptor, for LTO and Classic
F95961	F95961 Pendulum mounting adaptor, for LFP, S24 and S230
F95067	F95067 Short pendulum for chain and wire mounting
F95057	F95057 Short pendulum for ceiling mounting
F95600	F95600 Tubular pendulum, angular, 250 mm
F95601	F95601 Tubular pendulum, angular, 500 mm
F95602	F95602 Tubular pendulum, angular, 1.000 mm
F95401	F95401 Wire pendulum, max. 1.200 mm
19045	19045 Bracket
F95942	F95942 Cover for ceiling mounting with not fully closed ceilings as well as light band mounting
19040	19040 Recessed mounting set for massive walls and massive ceilings (concrete-cast housing), for LTO and Classic
19048	19048 Recessed mounting set for massive walls and massive ceilings (concrete-cast housing), for LFP, S24 and S230
19041	19041 Recessed mounting set for hollow walls and hollow ceilings, for LTO and Classic
19049	19049 Recessed mounting set for hollow walls and hollow ceilings, for LFP, S24 and S230
15036	15036 Logica interface for 19296
15037	15037 Logica FM interface for 19296 and 19435
15038	15038 DALI interface for 19296 and 19435 (for connection to DALI central of the general and safety lighting)
3912	- Protective basket (only for surface wall or ceiling mounting without escape sign display pane / short pendulum)
RA01	RA01 Subsidiary battery NiMH 3.6 V / 1.2 Ah for R2436SA
RA06	RA06 Subsidiary battery LFP 9.6 V / 1.5 Ah for 19433 and 19435

Included in scope of delivery

Order code	Description
19044	Set of escape sign foils

Please order escape sign accessories separately

Order code	Description
VD 25 m	VD 30 m
29000	Escape sign foil
E16040M-KIT-F65	Escape sign display pane
E16041M-KIT-F65	Escape sign display pane
E16042M-KIT-F65	Escape sign display pane
E16043M-KIT-F65	Escape sign display pane
E16045M-KIT-F65	Escape sign display pane
19059	Set of escape sign display panes