



MAXIMA

High type of protection. Housing with convex light outlet and clear pane. Additional light outlet downwards for all versions. 1- or 2-sided escape route indication through self-adhesive escape sign foils.

Versions for surface wall and ceiling mounting and bracket and with additional accessories for pendulum and chain/wire

MOUNTING TYPES



MOUNTING TYPES WITH ACCESSORIES



TECHNICAL DATA

Housing: Polycarbonate, grey (RAL 7035)
Polyester, grey (RAL 7035)

Pane: Polycarbonate, transparent

Foil: PVC, printed

Service life $L_{80}B_{20}$: 50.000 h

Color stability: 3 SDCM

Color temperature: 4.000 K

Color rendering index: 90



SELF-CONTAINED SUPPLY

Mains supply: 198 V – 254 V/50 Hz

Switching: Maintained and non-maintained

Ambient temperature: LTO : -20 °C to +45 °C
Classic: 0 °C to +40 °C

Protection class: II

DECENTRAL SUPPLY

Mains supply: 24 V +/- 20 % DC

Battery supply: 24 V +/- 20 % DC

Ambient temperature: -20 °C to +40 °C

Protection class: III

CENTRAL SUPPLY

Mains supply: 198 V – 254 V/50 Hz

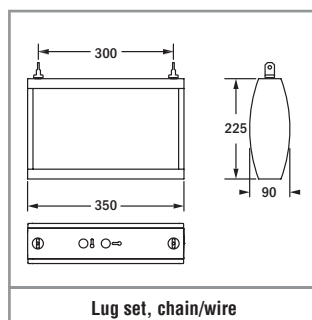
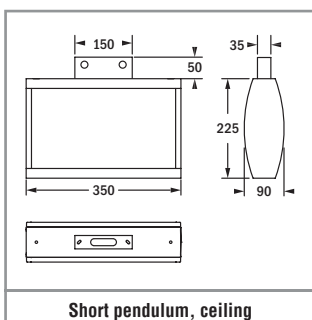
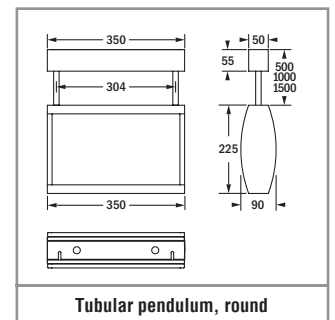
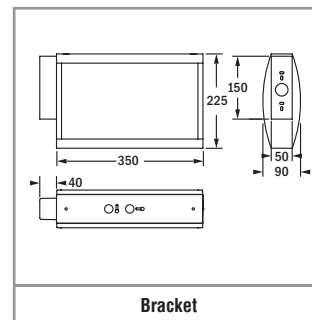
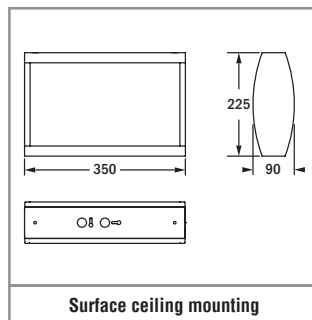
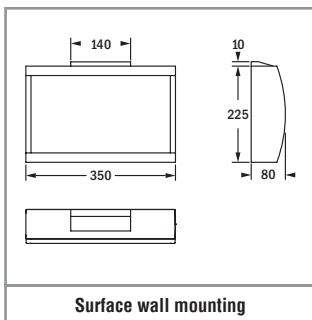
Battery supply: 176 V – 276 V

Ambient temperature: -20 °C to +40 °C

Protection class: II

Mains supply (alt.): 90 V – 254 V / 50/60 Hz

Battery supply (alt.): 90 V – 276 V





SELF-CONTAINED SUPPLY

Autotest Order code	Logica Order code	Logica FM Order code					
Surface wall mounting (1-sided escape route indication)							
37054	37055	37056	32 m	2	1 h / 3 h / 8 h	2 x LTO 7.2 V / 0.5 Ah	4.85 VA
Surface ceiling mounting and bracket (2-sided escape route indication) ¹							
37057	37058	37059	32 m	2	1 h / 3 h / 8 h	2 x LTO 7.2 V / 0.5 Ah	4.85 VA

CLASSIC SELF-CONTAINED SUPPLY

Autotest Order code	Logica Order code	Logica FM Order code						
Surface wall mounting (1-sided escape route indication)								
36054	36055	36056	32 m	2	1 h / 3 h	NiMH 7.2 V / 0.6 Ah	NiMH 7.2 V / 1.2 Ah	8 VA
Surface ceiling mounting and bracket (2-sided escape route indication) ¹								
36057	36058	36059	32 m	2	1 h / 3 h	NiMH 7.2 V / 0.6 Ah	NiMH 7.2 V / 1.2 Ah	8 VA

SICURO^{LED} DECENTRAL SUPPLY

Sicuro24 Order code			
Surface wall mounting (1-sided escape route indication)			
32018	32 m	2	2.9 W
Surface ceiling mounting and bracket (2-sided escape route indication) ¹			
32019	32 m	2	2.9 W

SICURO^{LED} CENTRAL SUPPLY

Sicuro230 Order code				
Surface wall mounting (1-sided escape route indication)				
31018	32 m	2	7.4 VA / 3.5 W	
Surface ceiling mounting and bracket (2-sided escape route indication) ¹				
31019	32 m	2	7.4 VA / 3.5 W	

¹ Please order additional required accessories for pendulum and chain/wire separately.

Please order escape sign accessories separately

Order code	Description	
29002	Escape sign foil	
16917M	Set of escape sign foils	

Please order accessories separately

Order code	Description
F95700	Short pendulum for ceiling mounting, incl. pendulum mounting adaptor (on-finery cable laying possible)
F95510	Tubular pendulum, round, 500 mm
F95511	Tubular pendulum, round, 1.000 mm
F95512	Tubular pendulum, round, 1.500 mm
3723	Lug set for chain and wire mounting
F95032K	Protective basket (only for surface wall mounting)

Included in scope of delivery

Order code	Description	
29001	Set of escape sign foils	
F95506	Bracket	