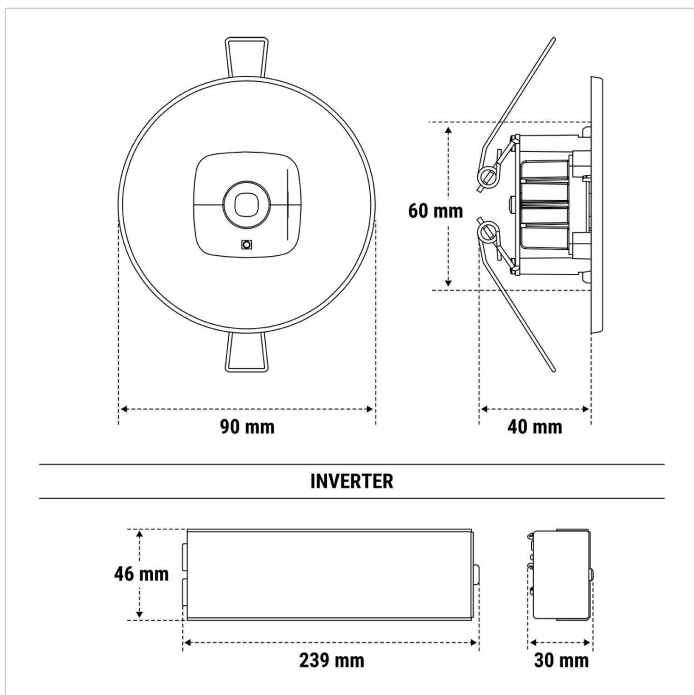


Multi Lens



MULTI LENS GL CT SA LF

Beghelli Code: **4393**



SYSTEM:CT



Description: Emergency
EAN: 8002219868695

ELECTRICAL AND LIGHTING TECHNICAL CHARACTERISTIC

EQUIVALENT POWER: 24WGL W
LAMPHOLDER: None
SUPPLY VOLTAGE TYPE: AC
NOMINAL VOLTAGE AC: 230 V
VOLTAGE SUPPLY RANGE AC: 207 V÷253 V
FREQUENCY SUPPLY RANGE: 50 Hz÷60 Hz
MAX ABSORBED POWER NM: 5 W
EMERGENCY DIAGNOSTIC TYPE: CT
DURATION: 1 / 1.5 / 2 / 3 / 8 h
FLUX NM: 450 / 330 / 250 / 160 / 70 lm
FLUX M: 220 lm
BATTERY TYPE: LiFe
BATTERY: LiFe 6.4V 1.5Ah
REST MODE: y
RECHARGING TIME: 12 h
DURATION TEST TIME: 1 h
DURATION TEST FREQUENCY: 26 week
FUNCTIONAL TEST FREQUENCY: 28 day
Ta: -10 °C÷45 °C
INSULATION CLASS: II
CRI: >70
CCT: 4000 K
OPTIC NAME: LONG / WIDE / HIGH
OPTIC EFFICIENCY: 87% / 92% / 85%
LED NUMBER: 1
PHOTOBIOLOGICAL RISK: RG0

MOUNTING AND APPLICATIONS

MOUNTING: False Ceiling Recessed
ENVIRONMENT: Indoor
APPLICATION: Offices / Public Areas / Shops / 043

MECHANICAL CHARACTERISTICS

Dimension: Diameter: 90 mm Height: 40 mm
PRODUCT WEIGHT: 0.4 kg
PLASTERBOARD CUT DIMENSIONS: 60 mmSpazio
BODY MATERIAL: Polycarbonate **COLOUR** White RAL 9010
TRIM MATERIAL: Polycarbonate **COLOUR** White RAL 9010
LENSES MATERIAL: PMMA transparent thermoplastic
PROTECTION DEGREE: IP20/IP42
OPTICAL PROTECTION DEGREE: IP42 **RECESSED PROTECTION DEGREE** IP20
MECHANICAL IMPACTS PROTECTION DEGREE: IK07
GLOW WIRE: 850° - 30s.
QUANTITY PER BOX SINGLE/MULTIPLE/DELIVERY: 1/6/

CERTIFICATES AND STANDARDS

STANDARDS: CEI EN 60598-2-22, CEI EN 60598-2-2, CEI EN 62034, 2009/125/CE, 874/2012/CE, 2014/30/EU, 2014/35/EU

Multi Lens



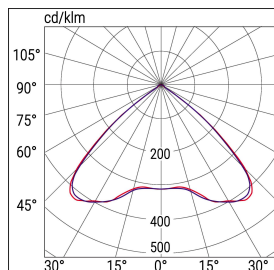
MULTI LENS GL CT SA LF

SYSTEM:CT

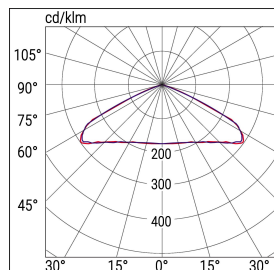
Beghelli Code: **4393**



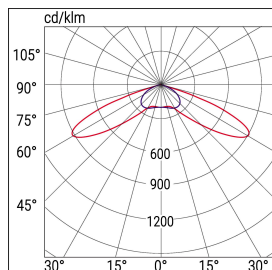
HIGH LIGHT (85%)



WIDE LIGHT (92%)



LONG LIGHT (87%)



Accessories to be order separately



15036
MODULO LG



15037
MODULO LGFM



15038
MODULO DALI