



# Floodlight FL

FL LED 50W NERO IP66 4K

Ultra-thin projector with modern and elegant design, suitable for civil, commercial and industrial applications. The body is made of die-cast aluminium with integrated cooling fins.

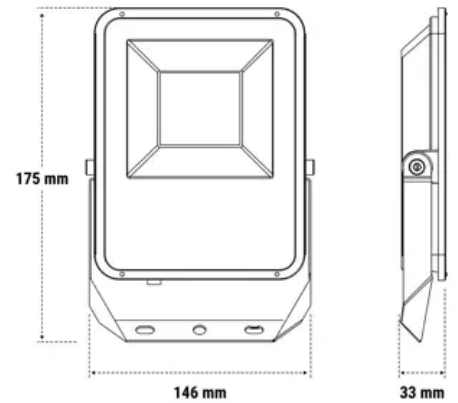


**Order code 86163**

**EAN 8002219759009**

## Technical specifications

Absorbed Power	<b>50 W</b>
Supply voltage type	<b>AC</b>
Nominal voltage (AC)	<b>230 Vac</b>
Ambient temperature (min)	<b>-20 °C</b>
Ambient temperature (max)	<b>40 °C</b>
Insulation class	<b>I</b>
CCT light tone	<b>4000 K</b>
Photobiological risk	<b>RG0</b>
CRI color rendering	<b>&gt;80</b>
Ballast	<b>For constant current LED</b>
Efficiency	<b>100 lm/W</b>
Frequency (max)	<b>60 Hz</b>
Frequency (min)	<b>50 Hz</b>
Glow wire strength	<b>960 °C - 30s.</b>
Luminaire flux	<b>5000 lm</b>
Luminous flux L70B10	<b>71000 h</b>
Luminous flux L70B50	<b>50000 h</b>
Luminous flux L80B10	<b>45000 h</b>
Luminous flux L80B20	<b>50000 h</b>
Luminous flux L80B50	<b>62000 h</b>
Luminous flux L90B10	<b>25000 h</b>
Luminous flux L90B50	<b>29500 h</b>
Voltage supply range (max)	<b>253 V</b>
Voltage supply range (min)	<b>207 V</b>

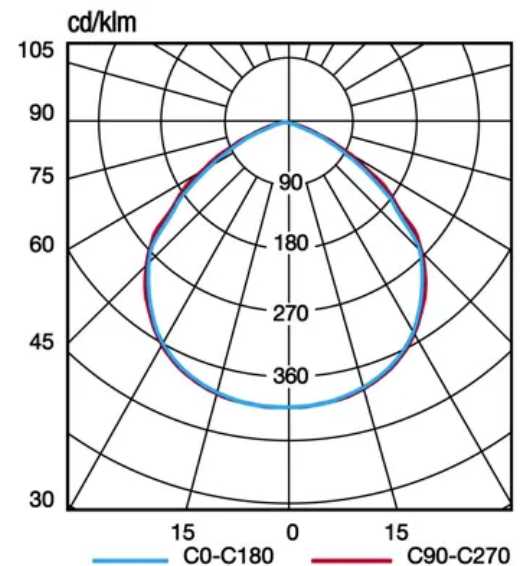


## Installation and applications

Environment **Art/Culture**

## Mechanical specifications

Height	<b>33 mm</b>
Length	<b>175 mm</b>
Width	<b>146 mm</b>
Weight	<b>0.55 Kg</b>
Body material	<b>Die-cast aluminium</b>
Colour housing	<b>Black</b>
Reflector material	<b>Polycarbonate</b>
Protection grade IP	<b>IP66</b>
Protection grade IK	<b>IK07</b>



## Certifications and norms

UK SI 2021 No. 1095, EN IEC 55015:2019 + A11:2020, EN IEC 61000-3-2 :2019, EN 61547:2009, EN 62471:2008, EN IEC 60598-1:2021, EN 60598-2-1:1989, EN IEC 63000:2018, EN 62493:2010, EN 61000-3-3:2013