

Logica LED ULTIMATE

LED emergency luminaire

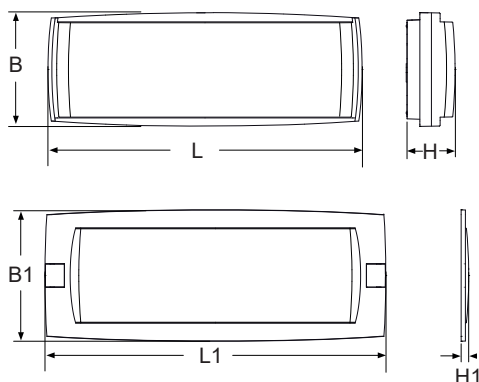


ULTIMATE

GENERAL CHARACTERISTICS

- Power*** 24 W
- Power Supply** 230 VAC ±10 % 50/60 Hz
- Operation** Maintaned (SA), not Maintaned (SE), Public Performance (PS)
- Protection grade** IP65
- Autonomy** 1 h, 1,5 h, 3 h
Autoripara battery: 2 h, 3 h, 6 h overtime
- Working temp.** -20°C ÷ +50°C
- Mounting** wall, ceiling, recessed, suspended ceiling
- Housing** white polycarbonate, RAL 9003
- Optics** symmetrical, polycarbonate
- Diffuser** transparent polycarbonate
- Application** escape routes, antipanic

* Indicative power for comparison with fluorescent tube fixtures



Power* W	• Dimensions(mm) •						Diffuser visibility distance (VD) m
	L	B	H	L1	B1	H1	
24	406	147	63	440	170	10	20

Titanium Battery



- 1 QUICK CHARGING:** the autonomy of the device on which it is installed can reach up to 80% in less than 2 hours
- 2 Withstands extreme operating temperatures:** -20°C ÷ +50°C
- 3 LONG LIFE** with at least 7,000 charge cycles guaranteed, devices can boast 10 years of useful life
- 4 MAXIMUM SAFETY:** unlike normal Lithium batteries, the material used on these accumulators renders them particularly safe, even when a short circuit or perforation occurs

Logica LED ULTIMATE

W*	Code	Description	Model	Autonomy	Battery	N° LED	Lum. flux SE lm**	Lum. flux AR SE lm***	Lum. flux AR SE lm****	Lum. flux SA lm	Absorption max. W	Weight Kg	Pack
24	19410	LOGICA LED LTO LGAR SE 1100LM	SE	1/1,5/3h	LTO 9.6V 1.2AH	30	1100/750/400	1100/750/400	2000/1500/800	-	7	2.2	6
24	19411	LOGICA LED LTO LGAR SA 1100LM	SA/PS	1/1,5/3h	LTO 9.6V 1.2AH	30	1100/750/400	1100/750/400	2000/1500/800	1000	7/13	2.2	6

W*	Code	Description	N° LED	Lum. flux SA lm	Absorption (DC) W	Absorption (SA) VA	Weight kg	Pack
24	31120	LOGICA LED LGS230 ULTIMATE	30	1500	16.5	20	1.8	6

W*	Code	Description	N° LED	Lum. flux SA lm	Lum. flux SE lm max	Lum. flux SA lm	Absorption (DC) W	Absorption max (DC) W	Absorption (SA) VA	Weight kg	Pack
24	32089	LOGICA LED LGS24 ULTIMATE	30	550	1100	1500	6.6	10	16	1.8	6

*Equivalent power for comparison with fluorescent lighting fixture **Minimum flux guaranteed according to EN 60598-2-22

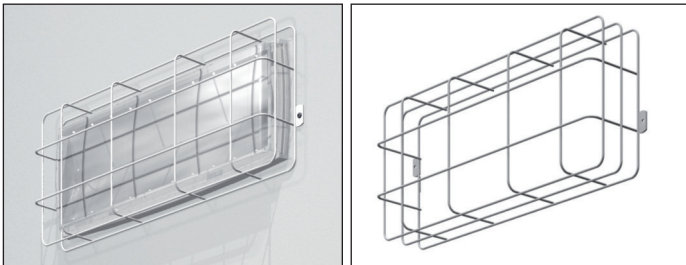
Battery Autoripara. Two batteries are working at the same time, this configuration will double autonomy time *Battery Autoripara. Two batteries are working at the same time, this configuration will double luminous flux.

Accessories

supplied

Order code	Description
-	LOGICA CABLE GLAND
12175	LOGICA PS RIGHT DIFFUSER
12176	LOGICA PS LEFT DIFFUSER
12177	LOGICA PS DOWN DIFFUSER
12199	RAPID WALL FIXING BRACKET

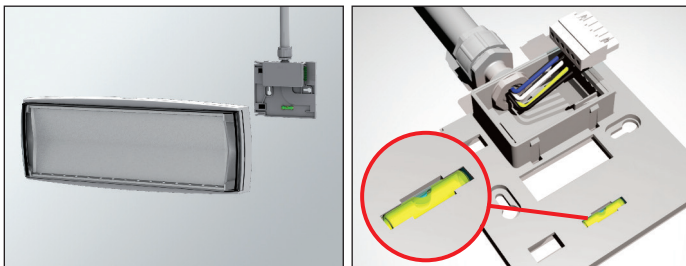
LOGICA METAL GRID



12194 LOGICA METAL GRID

to be ordered separately

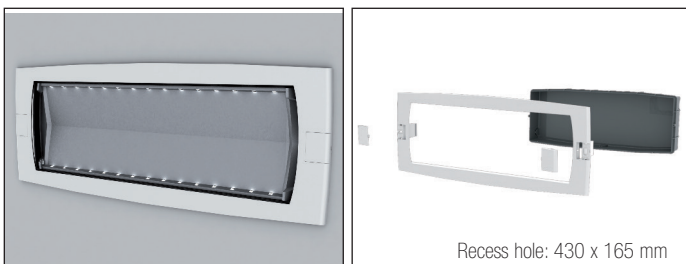
WALL MOUNTING WITH RAPID BRACKET AND SPIRIT LEVEL



12199 RAPID WALL FIXING BRACKET

supplied

RECESSED MOUNTING



12179 LOGICA IP65 RECESSED BOX

supplied

Accessories

to be ordered separately

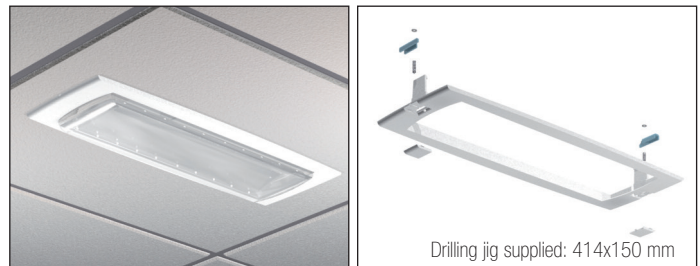
Order code	Description
12179	RECESSED BOX LOGICA IP65
12194	LOGICA METAL GRID
12180	LOGICA SUSPENDED CEILING BRACKET
15037	LGFM MODULE
RA04	BATTERY AR LTO 9,6V 1,2AH
12178	LOGICA PS UP DIFFUSER

Autoripara Battery



- SAFETY:** the AUTORIPARA system intervenes if the main battery fails.
- LUMINOUS FLUX:** operators can choose to set both batteries to operate simultaneously, doubling the luminous flux
- AUTONOMY:** operators can choose to set both batteries to operate simultaneously, doubling the autonomy of the device

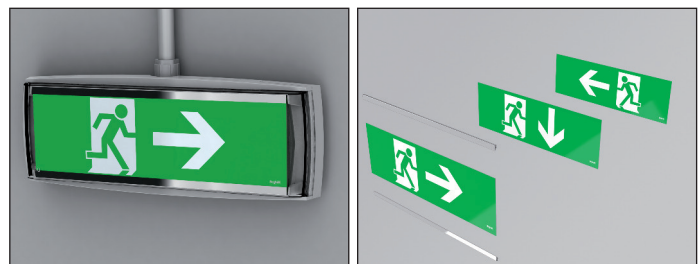
MOUNTING ON A PLASTERBOARD SUSPENDED CEILING



12180 LOGICA SUSPENDED CEILING BRACKET

to be ordered separately

LOGICA DIFFUSERS



12175 LOGICA PS RIGHT DIFFUSER (public performance) to be ordered separately

12176 LOGICA PS LEFT DIFFUSER (public performance) to be ordered separately

12177 LOGICA PS DOWN DIFFUSER (public performance) to be ordered separately

12177 LOGICA PS UP DIFFUSER (public performance) to be ordered separately