



## GENERAL CHARACTERISTICS

**Equivalent Power\*** 1x 70, 1x 150 W

**Power supply** Universal Multi Voltage  
93–265 V<sub>AC</sub> 50/60 Hz  
176–250 V<sub>DC</sub>

**Standard** EN 60598-1, EN 60598-2-2,  
EN 60598-2-22 (fundamental  
requirements), EN 62471

**Protection grade** IP40, IP20

**Working temp.** -20 °C ÷ +40 °C

**Mounting** recessed in false ceilings

**Housing** Polyester powder coated die-cast  
aluminium RAL 9003

**Louvre** white PC with high reflectance (70°  
supplied, 16°, 24° and 40° mirror  
finished aluminium to be ordered  
separately)

**Diffuser** Toughened glass 3 mm thick

**Driver** SELV electronic SD (cos  $\varphi \geq 0.97$ )  
Electronic with intelligent dimming

**MTFB Control gear\*\*** 80 000 h

**Luminous flux** 60 000 h (1x 150 W) (L80B20)

**maintenance\*\*** 70 000 h (1x 70 W) (L80B20)

**Colour deviation** 3 SDCM

\* Equivalent power for comparison with metal halide fixtures

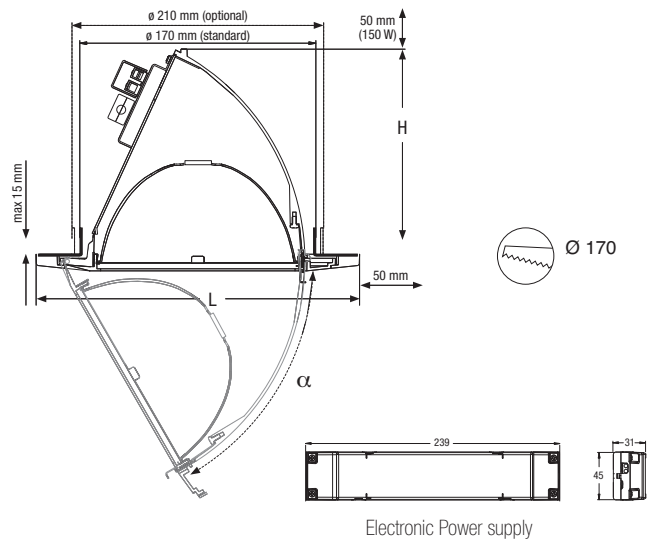
\*\* At environmental reference temperature of 25 °C

# D170/1150 LED adjustable

## Downlight

Die-cast aluminium spotlight with high-efficiency LED source, white powder coated. Power supply box separate from the fixture for greater mounting flexibility and better heat dissipation. Quick coupling connection terminal board. White louvre with very high reflectance and complex geometry for a high light output (>97%), with highly transparent toughened glass. Optics adjustable through 345° and tilting with maximum inclination 60°.

An additional accessory is available for lighting the LED source of the device in the event of a black-out and an optional nocturnal lamp with lenticular optic for maximizing lighting on the ground. The adjustable DWL LED has been designed specifically for retail lighting, where it is essential to enhance the items on display. **Due to this particular feature it does not offer dimming with an AutoDimmer Sensor.**



Power* W	• Dimensions (mm) •					$\alpha$ max.	Weight max. kg
	L	A	B	C	H		
1x 70	233	45	239	31	150	60°	2.3
1x 150	233	45	239	31	150	60°	2.3

## Accessories

to be ordered separately

Order code	Description
1233	LOUVRE 16° DWL OR
1234	LOUVRE 24° DWL OR
1235	LOUVRE 40° DWL OR
14120	CONTROL GEAR 5 LED
14121	1 LED NOCTURNAL MODULE

**SPECIAL VARIANTS: COLOUR TEMPERATURE ON REQUEST, COLOUR RENDERING  $\geq 90$**   
Contact the Beghelli sales network

## Building automation

to be ordered separately

Order code	Description
20102	BUILDING AUTOMATION CENTRAL UNIT
20124	BUILDING AUTOMATION CENTRAL UNIT WIFI
20104	2 INPUT INTERFACE – RADIO TRANSMITTER
15022	BUILDING AUTOMATION RADIO MODULE
15024	DALI MODULE
15034	1-10V MODULE

INVERTER

### EMERGENCY WITH LED INVERTER

TR AT LG LGFM

19358	INVERTER PLUG&LIGHT LED SE/SA 1H 20-60V	to be ordered separately
19359	INVERTER PLUG&LIGHT LED SE/SA 3H 20-60V	to be ordered separately
19364	INV LED IP65 AT/LG 123H (addressable)	to be ordered separately
19365	INV LED IP65 LGFM 123H (addressable)	to be ordered separately

**DOMOTIC RADIO MODULE**

**1÷10V MODULE**

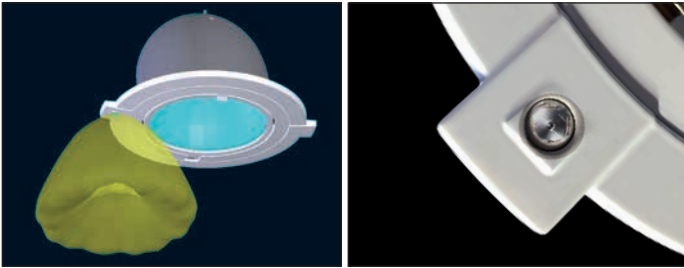
**DALI MODULE**

**PLUG&LIGHT MODULE**

OPTIONAL MODULES TO EXTEND BEGHELLI SD TO RADIO CONTROL OR DALI / 1-10V SYSTEMS AND EMERGENCY



**MOUNTING WITH NOCTURNAL/EMERGENCY LAMP**



- 14121** 1 LED NOCTURNAL MODULE to be ordered separately
- 14120** 5 LED CONTROL GEAR to be ordered separately

**LOUVRE 16°, 24°, 40°**



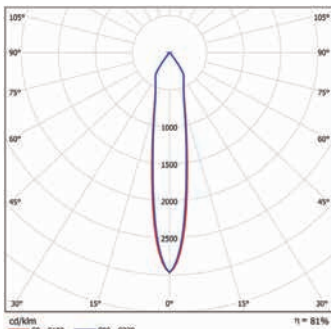
- 1233** LOUVRE 16° DWL OR to be ordered separately
- 1234** LOUVRE 24° DWL OR to be ordered separately
- 1235** LOUVRE 40° DWL OR to be ordered separately

**Efficiency and dimming**

The increase in luminous efficacy (lm/W) and the useful life of the device may vary significantly according to the degree to which it is dimmed. Assuming an average level of 50% of the luminous flux, the following results are obtained with the D170/1150 LED:

- Dimming** **50 %**
- Device duration** **+40 %**
- Luminous efficiency** **+15 %**

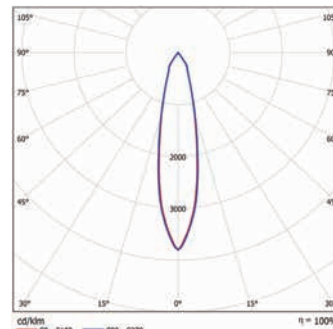
**OPTICS SUPPLIED**



I max 70w\* = 10 100 Cd / I max 150w\* = 18 700 Cd

**Beam width 16°**

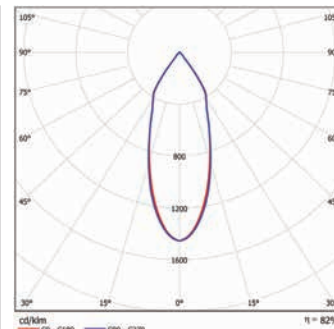
Distance	Diameter	Luminosity
0.5 m	Ø 0.16 m	40 338 lx
1.0 m	Ø 0.32 m	10 084 lx
1.5 m	Ø 0.49 m	4 482 lx
2.0 m	Ø 0.65 m	2 521 lx
2.5 m	Ø 0.81 m	1 614 lx
3.0 m	Ø 0.97 m	1 120 lx



I max 70w\* = 10 100 Cd / I max 150w\* = 18 700 Cd

**Beam width 24°**

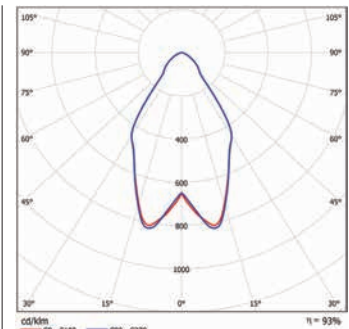
Distance	Diameter	Luminosity
0.5 m	Ø 0.20 m	40 846 lx
1.0 m	Ø 0.40 m	10 212 lx
1.5 m	Ø 0.59 m	4 538 lx
2.0 m	Ø 0.79 m	2 553 lx
2.5 m	Ø 0.99 m	1 634 lx
3.0 m	Ø 1.19 m	1 135 lx



I max 70w\* = 4 950 Cd / I max 150w\* = 9 150 Cd

**Beam width 40°**

Distance	Diameter	Luminosity
0.5 m	Ø 0.34 m	19 774 lx
1.0 m	Ø 0.68 m	4 944 lx
1.5 m	Ø 1.02 m	2 197 lx
2.0 m	Ø 1.35 m	1 236 lx
2.5 m	Ø 1.70 m	791 lx
3.0 m	Ø 2.04 m	549 lx



I max 70w\* = 2 200 Cd / I max 150w\* = 4 100 Cd

**Beam width 70°**

Distance	Diameter	Luminosity
0.5 m	Ø 0.65 m	8 826 lx
1.0 m	Ø 1.30 m	2 207 lx
1.5 m	Ø 1.95 m	981 lx
2.0 m	Ø 2.60 m	552 lx
2.5 m	Ø 3.25 m	353 lx
3.0 m	Ø 3.90 m	245 lx

**D170/1150 LED adjustable**

SmartDriver

Power* W	Order code	Description	LED Power W	Colour Temp. K	Colour rendering	Power consumption max. W	N°LEDs	Flux of LEDs lm (Tj=25°C)	Flux of fixture lm	lm/W	Energy Class	Packaging
1x 70	<b>D170LORS</b>	DWL LED 1x70 OR INC SD 3K	29	3 000	>80	34	1 (COB)	4 000	3 400	100	A++	1
1x 150	<b>D1150LORS</b>	DWL LED 1x150 OR INC SD 3K	50	3 000	>80	55(50***)	1 (COB)	6 500	5 500	100	A++	1

\*\*\* The power consumption has an auto derating to the power indicated in parenthesis if the product is powered by voltage less than 110 V<sub>AC</sub>.