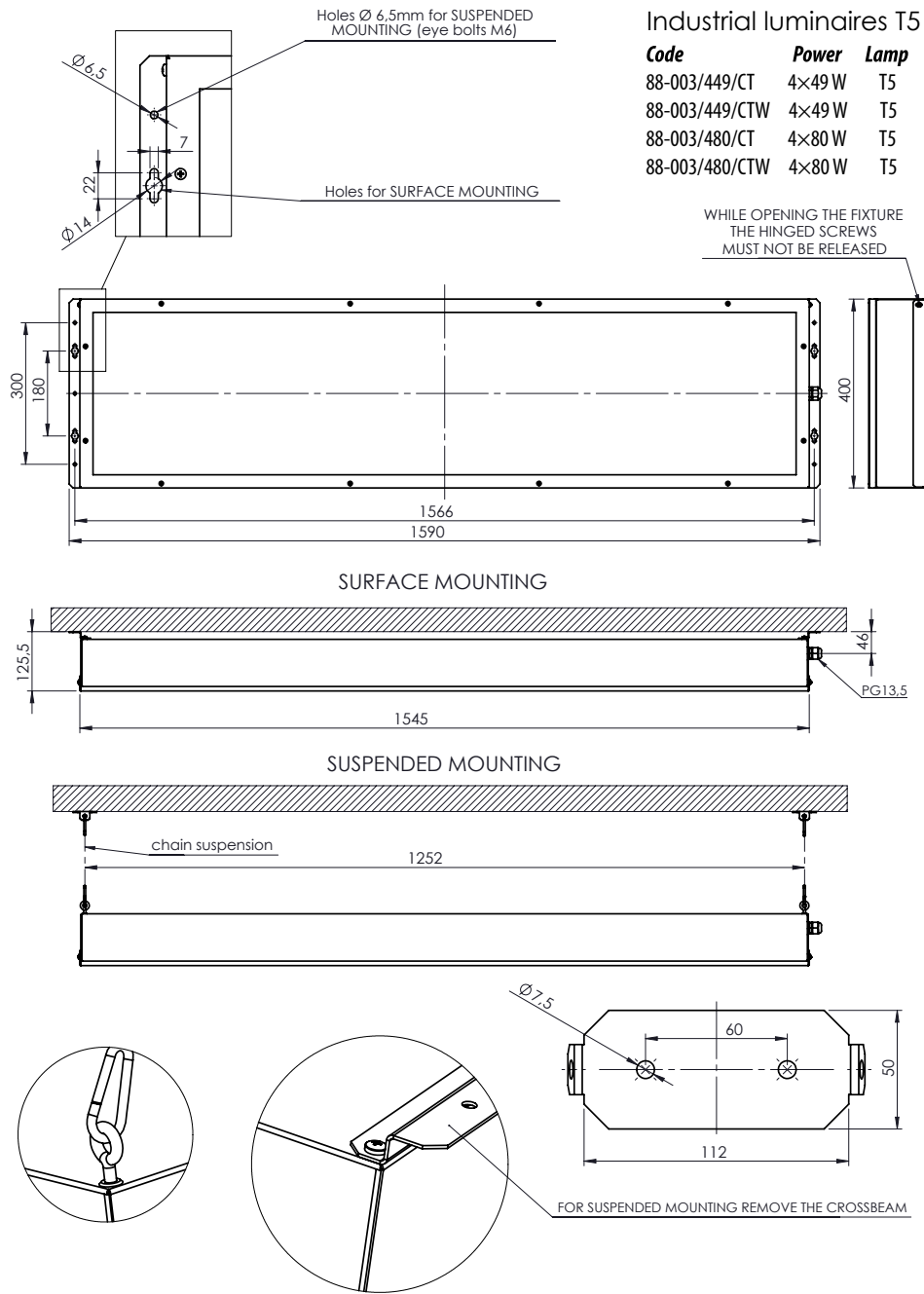


Industrial luminaires T5

Code	Power	Lamp	Cap	Dimensions (mm)	Kg	Reflector
88-003/449/CT	4×49 W	T5	G5	1590×400×126	19	narrow-beam
88-003/449/CTW	4×49 W	T5	G5	1590×400×126	19	wide-beam
88-003/480/CT	4×80 W	T5	G5	1590×400×126	19	narrow-beam
88-003/480/CTW	4×80 W	T5	G5	1590×400×126	19	wide-beam



WARNING:

- Check whether the mains specification satisfies the data mentioned on a luminaire plate before connecting it to the mains.
- Contact the customer service authorised centre for repairs, and insist on using original spare parts only. Not satisfying these instructions could result in loss of luminaire safety or in loss of warranty.
- This luminaire should only be used for a purpose for which it was manufactured. Any other usage shall be assumed to be unsuitable and therefore dangerous. The manufacturer bears no responsibility for any injury caused to persons or animals or for property damages caused by improper, faulty or inadequate usage.
- A luminaire must be disconnected from the mains before any interference with a luminaire, service or maintenance. An expert person, in terms of valid regulations concerning the competence to activities, should only perform these actions.
- The luminaire may only be connected to the mains, whose installation and protection satisfies standards in force.

WARRANTY:

All products of the company Beghelli - Elplast, a.s. are made of the highest quality materials, thoroughly tested and guaranteed by the manufacturer to be free of defects in terms of existing legislative regulations. This warranty becomes invalid if mounting is not executed according to the instruction manual, the luminaire is damaged or modified or repaired by an unauthorised service centre of the company Beghelli - Elplast, a.s.

The product cannot be disposed as unsorted municipal waste. It must be collected separately to prevent negative environmental impacts. In accordance with the procedures of Directive 2002/96 and relevant national laws and regulations adopted pursuant to this Directive on the disposal of waste at the end of the life cycle of the product, any violation is sanctioned by law. Please inform yourself about the local separate collection system for electrical and electronic products.

