

Arietis LED HCL

Recessed LED luminaire IP65



GENERAL CHARACTERISTICS

Power supply 198–264 VAC, 176–280 VDC

Standard EN 60598-1, EN 60598-2-1, EN 60598-2-22 (fundamental requirements), EN62471 (Photobiological hazard)

Protection grade IP65

Working temp. -20 ÷ +40°C

Mounting universal mounting into ceiling modules M600, M625 and plaster ceilings

Body steel sheet finished by powder technology varnishing, white RAL 9003

Screen microprismatic optics

Driver DALI LED driver for Tunable White

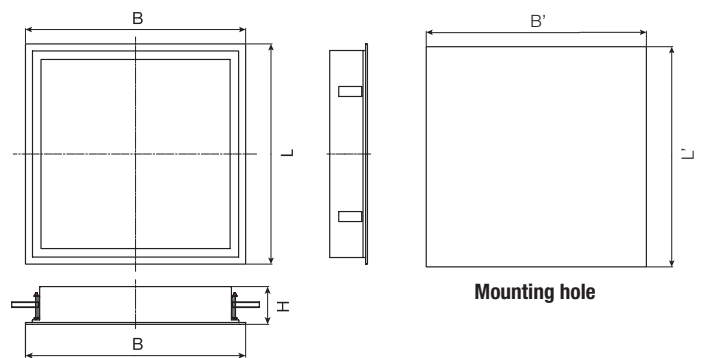
Control gear Lifetime** 100 000 h

Luminous flux maintenance** > 80 000 (L80B20)

Colour deviation 3 SDCM

Colour Temp. 2 700–6 500 K

** At a reference working temperature of 25°C

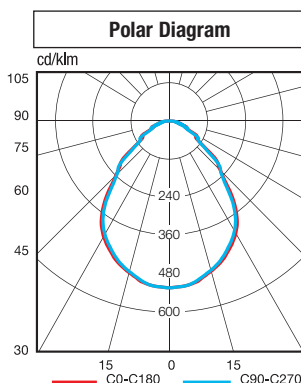


Version	• Dimensions (mm) •					Weight max kg
	L	B	H	L'	B'	
M600	595	595	102	565	565	4,5
M625	622	622	102	592	592	5,0

Accessories

supplied

Order code	Description
-	HOLDERS



Human Centric Lighting (HCL)

The effects of lighting on the biological rhythm of the human body have a direct impact on comfort, productivity and health in indoor environments. The model that should be followed is that dictated by nature with regard to light intensity, colour and direction, in harmony with our internal biological clock.

Arietis LED Human Centric Lighting (HCL)



Order code	Description	LED Power W	Colour Temp. K	Colour rendering	Power consumption Max W	N° LEDs	Flux of LEDs lm (Tj=25°C)	Flux of fixture lm	Luminous efficiency lm/W	Energy Class	Packaging
T02-10120HW	Arietis LED 2700–6500K M600	43	4000	>80	48	264	7000	5000	104	A+	1
T02-10125HW	Arietis LED 2700–6500K M625	43	4000	>80	48	264	7000	5000	104	A+	1

R_a>90 on request