

MultiBay LED 100

Multi-function Floodlight

LED floodlight with aluminium die cast body and frosted tempered glass for glare elimination.

Versatility is the key feature of this fixture that can be installed suspended with steel wires, on wall with an adjustable bracket and on ground with a foot base accessory and a single spyke.

Its very high lighting performance allows the installation on ceilings up to 10 metres high.



GENERAL SPECIFICATION

Power 100 W

Supply 220/240 VAC - 50/60 Hz

Conformity to EN60598-1; EN60598-2-1; EN 62471;

Protection degree IP65

Ambient temp. -20°C +40°C

Mounting Wall, ground, suspended

Body Die cast aluminium (RAL 7040)

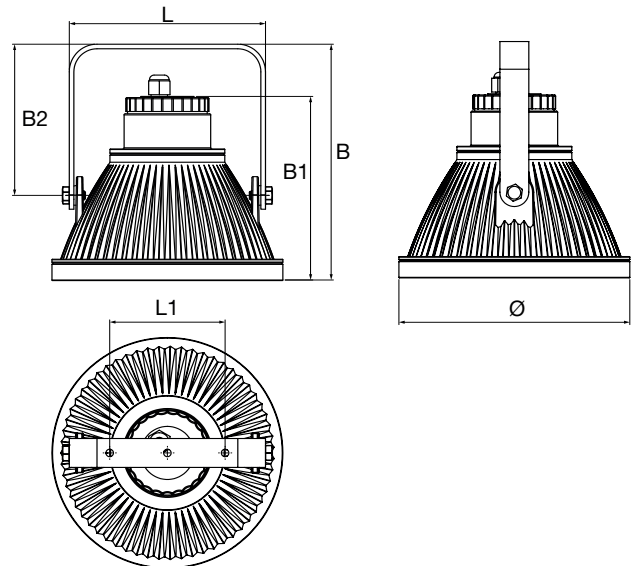
Reflector White painted die cast aluminium

Power supply Integrated, Electronic

Power supply compartment die cast aluminium

Screen Frosted tempered glass

Life 35000 h^φ



ACCESSORIES - Supplied with

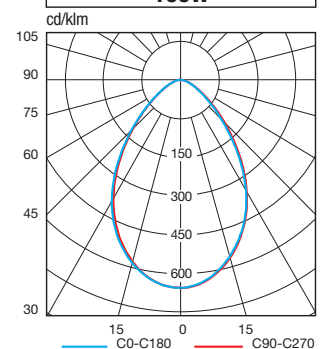
| Part # | Description | Packaging |
|--------|-------------------------|-----------|
| - | MOUNTING BRACKET | 1 |
| - | TECHNOPOLYMER FOOT BASE | 1 |
| - | SPYKE | 1 |
| - | SUSPENSION WIRE | 1 |

| Power W | • Dimension (mm) • | | | | | | N° LED | Weight kg |
|------------|--------------------|-----|-----|-----|-----|-----|-----------|-----------|
| | Ø | B | B1 | B2 | L | L1 | | |
| 100 | 305 | 345 | 286 | 205 | 235 | 100 | 150 | 4,8 |

**Multy bay 100 REPLACES
300W
HALOGEN FLOODLIGHTS**

PART NUMBER 76302

100W



MultyBay LED 100

| W | Part # | Description | Cod. EAN | Power W | Colour temp. | Ra | N° LED | Flux (lm) | Lighting efficiency (lm/W) | Energy Class | Packaging single/multi |
|-----|--------------|-------------|---------------|---------|--------------|-----|--------|-----------|----------------------------|--------------|------------------------|
| 100 | 76302 | HMF LED 100 | 8002219713278 | 105 | 4000 | >80 | 150 | 6800 | 62 | A | 1/2 |



Suspension



Wall / Ceiling with adjustable bracket



Ground with spyke

