



GENERAL CHARACTERISTICS

- Equivalent Power*** 2x 26 W
- Power supply** 93–265 V_{AC} 50/60 Hz
176–250 V_{DC}
- Standard** EN 60598-1, EN 60598-2-2,
EN 60598-2-22 (fundamental
requirements), EN 62471
- Protection grade** IP20
- Working temp.** -20 °C ÷ +40 °C
- Mounting** recessed, ceiling
- Housing** Die-cast aluminium white RAL 9003
- Optic** sheet metal parabolic
- Driver** SELV electronic SD (cos $\varphi \geq 0.96$)
Electronic with intelligent dimming
- MTFB Control gear**** 80 000 h
- Luminous flux maintenance**** >70 000 h (L80B20)
- Colour deviation** 3 SDCM

* Equivalent power for comparison with fluorescent tube fixtures
** At environmental reference temperature of 25 °C

D226 LED

Downlight

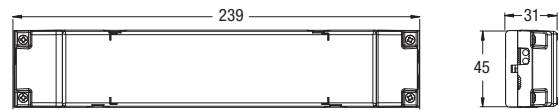
Downlight with very high light output. The optical system allows maximized illumination with excellent anti-glare features, so it is also suitable in the presence of video terminals. The control gear is independent of the fixture and is supplied already wired to the optical compartment, complete with cable ties.

The particular diffusion of the heat of products with LED sources considerably reduces the overheating of the illuminated surfaces, thus ensuring greater environmental comfort and less impact on the illuminated objects. Together with the substantial absence of UV radiation, these features make the product particularly suitable for exhibition areas.

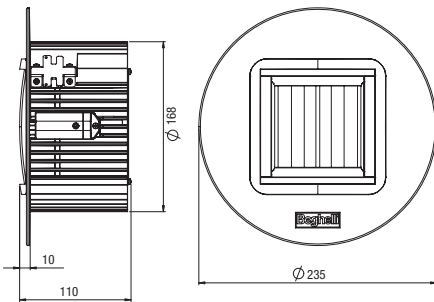
An additional accessory is available for lighting the source and the LEDs of the device in the event of a black-out.



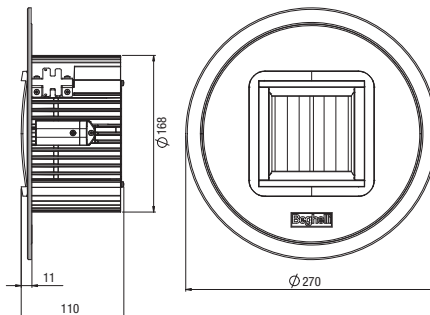
Power* W	Installation	Weight kg
2x 26	Recessed	1.9
2x 26	Ceiling	3.2
2x 26	Recessed with ring	2.2



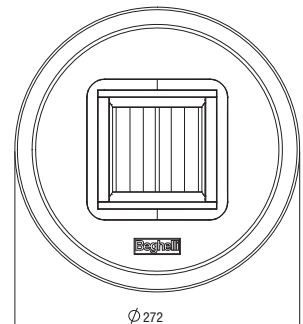
Electronic control gear



recessed version for holes from 170 to 200 mm



recessed version with adapter ring for holes from 200 to 240 mm



Accessories

supplied

Order code	Description
15039	OPTICOM PHOTODIODE

Accessories

to be ordered separately

Order code	Description
20090	ADAPTER RING 240 DWL LED
20091	CEILING ACCESSORY DWL LED
20098	WIDE DIFFUSER DWL/RL08 LED

Building automation

to be ordered separately

Order code	Description
20102	BUILDING AUTOMATION CENTRAL UNIT
20124	BUILDING AUTOMATION CENTRAL UNIT WIFI
20104	2 INPUT INTERFACE – RADIO TRANSMITTER
15022	BUILDING AUTOMATION RADIO MODULE
15024	DALI MODULE
15034	1-10V MODULE

**DOMOTIC
RADIO
MODULE**

**1÷10V
MODULE**

**DALI
MODULE**

**PLUG&LIGHT
MODULE**

OPTIONAL MODULES TO EXTEND BEGHELLI SD TO RADIO CONTROL OR DALI / 1-10V SYSTEMS AND EMERGENCY



INTELLIGENT PHOTOSENSOR

1. Autodimmer
Natural Light

2. Autodimmer
Dynamic Light

3. **opticom** TECHNOLOGY Smartphone Interface
to control and set up system

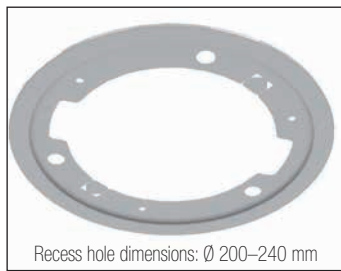


WIDE DIFFUSER



20098 to be ordered separately

ADAPTER RING



20090 to be ordered separately

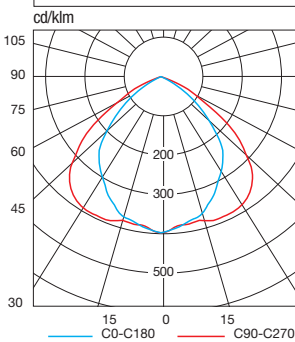
CEILING MOUNTING



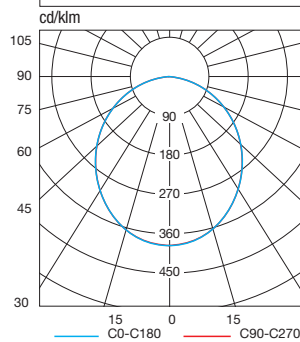
20091 to be ordered separately

Recess hole dimensions: Ø 200–240 mm

Polar Diagram



Polar Diagram



with wide Louvre DWL/RL08 LED
Order code 20098

Efficiency and dimming

The increase in luminous efficacy (lm/W) and the useful life of the device may vary significantly according to the degree to which it is dimmed. Assuming an average level of 50% of the luminous flux, the following results are obtained with the D226 LED:

Dimming SD 50 %
Device duration +40 %
Luminous efficiency +15 %

EMERGENCY WITH LED INVERTER

TR AT LG LGFM

INVERTER	19358	INVERTER PLUG&LIGHT LED SE/SA 1H 20-60V	to be ordered separately
	19359	INVERTER PLUG&LIGHT LED SE/SA 3H 20-60V	to be ordered separately
	19364	INV LED IP65 AT/LG 123H (addressable)	to be ordered separately
	19365	INV LED IP65 LGFM 123H (addressable)	to be ordered separately
	RA02***	AUTORIPARA INVERTER BATTERY 7.2V 1.7Ah	to be ordered separately

***Contact the Beghelli sales network for availability

SPECIAL VARIANTS: COLOUR TEMPERATURE ON REQUEST, COLOUR RENDERING ≥90
Contact the Beghelli sales network

D226 LED

SmartDriver **SD**

Power* W	Order code	Description	LED Power W	Colour Temp. K	Colour rendering	Power consumption max. W	N°LEDs	Flux of LEDs lm (Tj=25°C)	Flux of fixture lm	lm/W	Energy Class	Packaging
2x 26	D226SD	DWL SPOT LED 2x26 INC SD 4K	16	4 000	>80	20	40	2 200	1 860	93	A++	1

* Indicative power for comparison with fluorescent tube fixtures