

Formula65



Emergency lighting fixture and fixture with exit sign/adhesive legend in an elegant design suitable for recessed, ceiling and wall mounting. Thanks to high protection IP 65 and durable polycarbonate construction Formula65 is suitable for use in demanding operating conditions. Fixture is available in 6–8–11–24 W SA (Maintained) or SE (Non maintained) with Duration 1hr or 3hrs. Selectable function RM (Rest Mode) by using a single command button. Installation on a ceiling, wall or recessed mounting into ceiling or plasterboard. Formula65 is supplied in a standard version or version with AutoTest. Symmetrical plastic reflector provides uniform distribution of luminous flux.

Symbols see page 134

W	• Dimensions (mm) •			Source	Socket
	L	B	H		
6–8	354	152	48.5	T5	G5
11	354	152	48.5	TC-EL	2G7
24	354	152	48.5	TC-L	2G7



Technical data

Mounting: on ceiling or wall, with recessed box

Rated voltage: 230 V/50 Hz

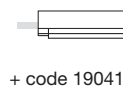
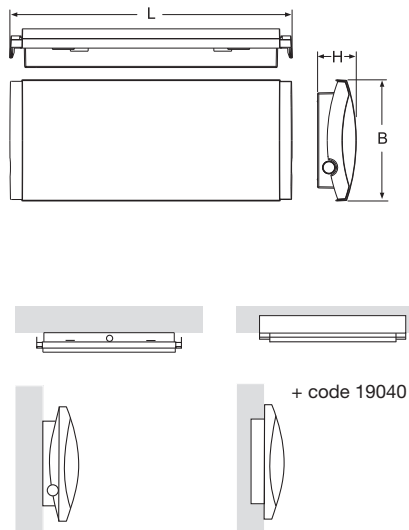
Body: self-snuffing plastic (standard EN 60598-1, UL 94)

Specification: available in SA (Maintained) and SE (Non maintained)

Diffuser: polycarbonate

ACCESSORIES: TO BE ORDERED SEPARATELY

Code	Description	Pcs
19040	recessed box with frame	1
19041	false ceiling bracket	1
19042	exit sign LEFT, RIGHT Bandiera	1
19043	exit sign DOWN Bandiera	1
19044	adhesive legends LEFT/RIGHT/DOWN	1
19045	bracket for flag installation on wall	1



AutoTest

W	Code	Article	Duration	Battery	Luminous flux	Kg	Pckg / pcs
6	19020	F65 6 W IP65 AT SE 1N/RM	1 h	NC HT 4.8 V 0.75 Ah	80 lm	0.5	12
6	19021	F65 6 W IP65 AT SE 3N/RM	3 h	NC HT 4.8 V 1.7 Ah	80 lm	0.5	12
8	19022	F65 8 W IP65 AT SE 1N/RM	1 h	NC HT 4.8 V 0.75 Ah	100 lm	0.7	12
8	19023	F65 8 W IP65 AT SE 3N/RM	3 h	NC HT 4.8 V 1.7 Ah	100 lm	0.7	12
8	19024	F65 8 W IP65 AT SA 1N/RM	1 h	NC HT 4.8 V 0.75 Ah	93/130 lm	0.7	12
8	19025	F65 8 W IP65 AT SA 3N/RM	3 h	NC HT 4.8 V 1.7 Ah	93/130 lm	0.7	12
11	19026	F65 11 W IP65 AT SE 1N/RM	1 h	NC HT 7.2 V 0.75 Ah	120 lm	0.7	12
11	19027	F65 11 W IP65 AT SE 3N/RM	3 h	NC HT 7.2 V 1.7 Ah	120 lm	0.7	12
11	19028	F65 11 W IP65 AT SA 1N/RM	1 h	NC HT 7.2 V 0.75 Ah	120 lm	0.7	12
11	19029	F65 11 W IP65 AT SA 3N/RM	3 h	NC HT 7.2 V 1.7 Ah	120 lm	0.7	12
24	19030	F65 24 W IP65 AT SE 1N/RM	1 h	NC HT 4.8 V 1.7 Ah	130 lm	0.9	12
24	19031	F65 24 W IP65 AT SE 3N/RM	3 h	NC HT 7.2 V 1.7 Ah	130 lm	0.9	12
24	19032	F65 24 W IP65 AT SA 1N/RM	1 h	NC HT 4.8 V 1.7 Ah	130 lm	0.9	12
24	19033	F65 24 W IP65 AT SA 3N/RM	3 h	NC HT 7.2 V 1.7 Ah	130 lm	0.9	12

Standard

W	Code	Article	Duration	Battery	Luminous flux	Kg	Pckg / pcs
6	19000	F65 6 W IP65 SE 1N/RM	1 h	NC+CAB HT 3.6 V 0.75 Ah	80 lm	0.5	12
6	19001	F65 6 W IP65 SE 3N/RM	3 h	NC+CAB HT 4.8 V 1.7 Ah	80 lm	0.5	12
8	19002	F65 8 W IP65 SE 1N/RM	1 h	NC HT 4.8 V 0.75 Ah	100 lm	0.7	12
8	19003	F65 8 W IP65 SE 3N/RM	3 h	NC HT 4.8 V 1.7 Ah	100 lm	0.7	12
8	19004	F65 8 W IP65 SA 1N/RM	1 h	NC HT 4.8 V 0.75 Ah	93/130 lm	0.7	12
8	19005	F65 8 W IP65 SA 3N/RM	3 h	NC HT 4.8 V 1.7 Ah	93/130 lm	0.7	12
11	19006	F65 11 W IP65 SE 1N/RM	1 h	NC HT 7.2 V 0.75 Ah	120 lm	0.7	12
11	19007	F65 11 W IP65 SE 3N/RM	3 h	NC HT 7.2 V 1.7 Ah	120 lm	0.7	12
11	19008	F65 11 W IP65 SA 1N/RM	1 h	NC HT 7.2 V 0.75 Ah	120 lm	0.7	12
11	19009	F65 11 W IP65 SA 3N/RM	3 h	NC HT 7.2 V 1.7 Ah	120 lm	0.7	12
24	19010	F65 24 W IP65 SE 1N/RM	1 h	NC HT 4.8 V 1.7 Ah	130 lm	0.9	12
24	19011	F65 24 W IP65 SE 3N/RM	3 h	NC HT 7.2 V 1.7 Ah	130 lm	0.9	12
24	19012	F65 24 W IP65 SA 1N/RM	1 h	NC HT 4.8 V 1.7 Ah	130 lm	0.9	12
24	19013	F65 24 W IP65 SA 3N/RM	3 h	NC HT 7.2 V 1.7 Ah	130 lm	0.9	12