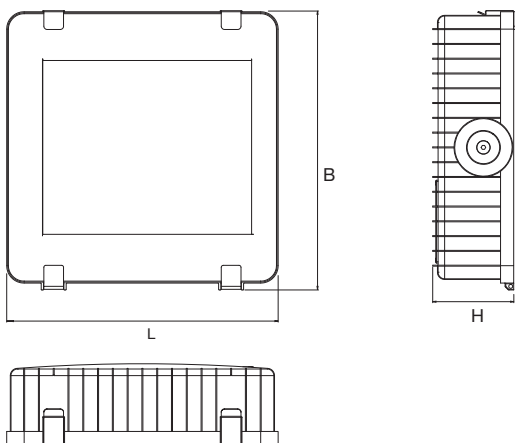


H400 LED Top T50

Highbays LED



Material:

- body: die-cast aluminum in grey color RAL 7040
- diffuser: tempered glass 5 mm
- optic system: high-efficiency polished aluminium reflector: wide-/elliptic-/narrow-beam; high-efficiency LED modules
- clips: stainless steel

Ambient temperature: -20 ÷ 50°C

Degree of protection: IP66

Rated voltage: 230 V AC ±10% 50 Hz
176–256 V DC

Control gear: LED driver

Mounting: surfaced on ceiling or suspended

Accessories: (to be ordered separately)

12659 – adapter for ceiling mounting

12658 – protective grid

Application: the luminaire is designed as an alternative to 400W discharge lamps for areas where lamps replacement is too expensive. Ideal for areas with high installation height of luminaires (manufacturing and industrial halls, sports facilities, multi-functional and exhibition halls, supermarkets and warehouses).

MTBF of power supply** 50 000 h
(MTBF: Mean Time Between Failures)

Luminous flux decrease:** 50 000 h (L80B20)

Color temp. stability: 3 SDCM

** Applies to ambient temperature 50°C

Power* W	Code	Article	Optic	Absorption W	Lum. flux (lm)	lm/W	Color temp. K	Ra	EEC	L × B × H (mm)	Kg
400	H400LEDTOP/T50	RIF LED 400W DIFF	wide-beam	187	25 125	134	4 000	>80	A+	425 × 413 × 121	7.7
400	H400ELEDTOP/T50	RIF LED 400W ELLIT	elliptic beam	187	25 125	134	4 000	>80	A+	425 × 413 × 121	7.7
400	H400CLEDTOP/T50	RIF LED 400W CONC	narrow beam	187	25 125	134	4 000	>80	A+	425 × 413 × 121	7.7

* Indicative power just for discharge lamps comparison purpose.

SUSPENDED MOUNTING



MOUNTING ON ELECTRIFIED RAIL



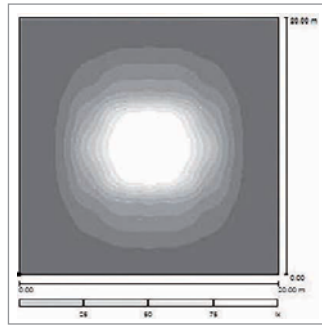
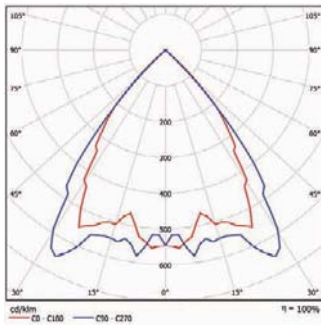
SURFACED MOUNTING



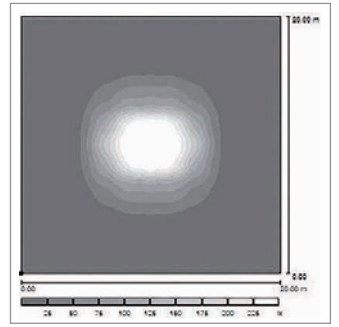
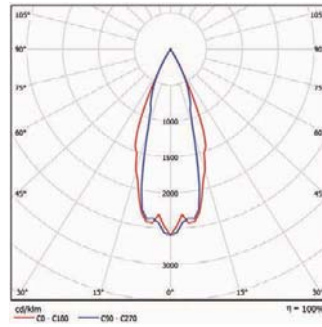
12659 adapter for ceiling mounting

to be ordered separately

WIDE-BEAM VERSION



NARROW-BEAM VERSION



ELLIPTIC VERSION

