

Floodlight FL

outdoor projectors



IP66

IK07

∠ 950°

+40°C
-20°C

⊕

☾



Outdoor projector with particularly reduced thickness to reduce the aesthetic impact of the device.



Complete line from 10 to 200W, in the Dual Sensor version it integrates twilight and presence sensors.



Integrated universal bracket with 45° inclination to simplify positioning both on the wall and on the ground. Supplied with wired cable L 60cm.

Application

Residential, tertiary, industrial

Characteristics

Power supply 220÷240 Vac, 50÷60 Hz

Luminous maintenance at 25°C
>50.000h (L70B50)

Color stability 3 SDCM

Installation Ground or wall

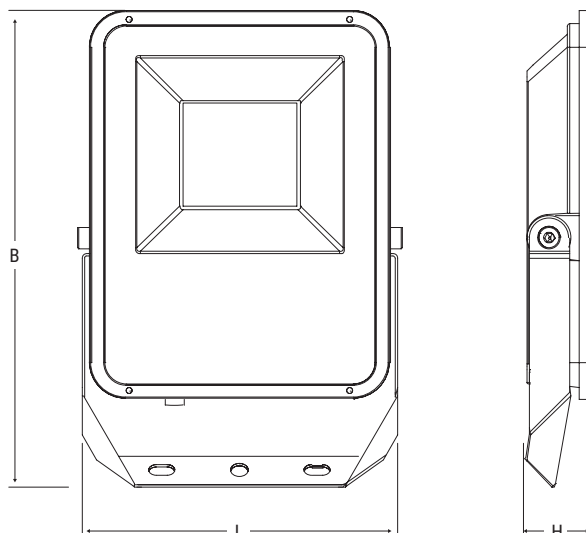
Body Die-cast aluminium

Optics White painted PVC, diffusing, symmetrical

Screen Transparent tempered glass

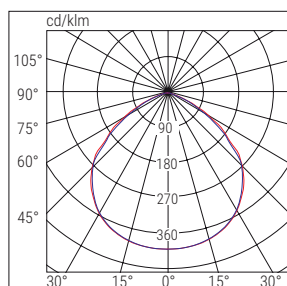
Color temperature 3000K, 4000K, 6500K

Standards EN605981 - EN60598-2-1
EN 62471



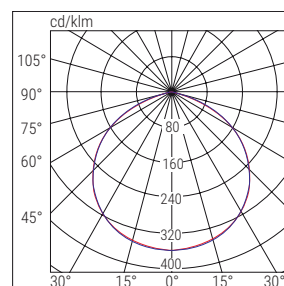
W	Dimensions mm		
	L	B	H
10	97	110	27
20	118	141	33
30	136	163	33
50	146	175	33
100	252	222	38
200	390	265	38

FL/FL-DUAL SENSOR



■ C0-C180 ■ C90-C270

FL-HIGH PERFORMANCE



■ C90-C270 ■ C0-C180



FLOODLIGHT DUAL SENSOR

Exclusive system that integrates both a presence sensor and a twilight sensor into the projector which can be activated at the same time and programmed from the supplied remote control. The remote control can also be used to force the appliance on or off.

REMOTE CONTROL FUNCTIONS

- Turning the light on/off
- Activation/deactivation of twilight sensor and presence sensor
- Programming of the presence sensor intervention distance
- Programming of the presence sensor stand-by time



Floodlight FL

outdoor projectors

	Order code	Description	Power W	Color temp. K	CRI	Lumin. flux LED lm (Tj=25°C)	Lumin. flux of luminaire lm	lm/W	Weight Kg	Package Sing/Mult.		
FLOODLIGHT	86145	FL LED 10W BIANCO IP66 3K	10	3000	>80	1200	1000	100	0.2	1/24	WHITE	
	86146	FL LED 20W BIANCO IP66 3K	20	3000	>80	2400	2000	100	0.35	1/24		
	86147	FL LED 30W BIANCO IP66 3K	30	3000	>80	3600	3000	100	0.45	1/24		
	86148	FL LED 50W BIANCO IP66 3K	50	3000	>80	6000	5000	100	0.55	1/24		
	86149	FL LED 10W BIANCO IP66 4K	10	4000	>80	1200	1000	100	0.2	1/24		
	86150	FL LED 20W BIANCO IP66 4K	20	4000	>80	2400	2000	100	0.35	1/24		
	86151	FL LED 30W BIANCO IP66 4K	30	4000	>80	3600	3000	100	0.45	1/24		
	86152	FL LED 50W BIANCO IP66 4K	50	4000	>80	6000	5000	100	0.55	1/24		
	86153	FL LED 20W BIANCO IP66 6K5	20	6500	>80	2400	2000	100	0.35	1/24	BLACK	
	86154	FL LED 30W BIANCO IP66 6K5	30	6500	>80	3600	3000	100	0.45	1/24		
	86155	FL LED 50W BIANCO IP66 6K5	50	6500	>80	6000	5000	100	0.55	1/24		
	86156	FL LED 10W NERO IP66 3K	10	3000	>80	1200	1000	100	0.2	1/24		
	86157	FL LED 20W NERO IP66 3K	20	3000	>80	2400	2000	100	0.35	1/24		
	86158	FL LED 30W NERO IP66 3K	30	3000	>80	3600	3000	100	0.45	1/24		
	86159	FL LED 50W NERO IP66 3K	50	3000	>80	6000	5000	100	0.55	1/24		
	86160	FL LED 10W NERO IP66 4K	10	4000	>80	1200	1000	100	0.2	1/24		
86161	FL LED 20W NERO IP66 4K	20	4000	>80	2400	2000	100	0.35	1/24	BLACK		
86162	FL LED 30W NERO IP66 4K	30	4000	>80	3600	3000	100	0.45	1/24			
86163	FL LED 50W NERO IP66 4K	50	4000	>80	6000	5000	100	0.55	1/24			
86164	FL LED 20W NERO IP66 6K5	20	6500	>80	2400	2000	100	0.2	1/24			
86165	FL LED 30W NERO IP66 6K5	30	6500	>80	3600	3000	100	0.45	1/24			
86166	FL LED 50W NERO IP66 6K5	50	6500	>80	6000	5000	100	0.55	1/24			
DUAL SENSOR	86179	FL LED 10W WHITE IP66 SENS 4K	10	4000	>80	1200	1000	100	0.2		1/24	WHITE
	86180	FL LED 20W WHITE IP66 SENS 4K	20	4000	>80	2400	2000	100	0.35		1/24	
	86181	FL LED 30W WHITE IP66 SENS 4K	30	4000	>80	3600	3000	100	0.45	1/24		
	86167	FL LED 20W NERO IP66 SENS 3K	20	3000	>80	2400	2000	100	0.35	1/24	BLACK	
	86168	FL LED 50W NERO IP66 SENS 3K	50	3000	>80	6000	5000	100	0.55	1/24		
	86182	FL LED 10W NERO IP66 SENS 4K	10	4000	>80	1200	1000	100	0.2	1/24		
	86169	FL LED 20W NERO IP66 SENS 4K	20	4000	>80	2400	2000	100	0.35	1/24		
	86183	FL LED 30W NERO IP66 SENS 4K	30	4000	>80	3600	3000	100	0.45	1/24		
	86170	FL LED 50W NERO IP66 SENS 4K	50	4000	>80	6000	5000	100	0.55	1/24		
	86171	FL LED 20W NERO IP66 SENS 6K5	20	6500	>80	2400	2000	100	0.35	1/24		
86172	FL LED 50W NERO IP66 SENS 6K5	50	6500	>80	6000	5000	100	0.55	1/24			
HIGH PERFORMANCE	86173	FL LED 100W NERO IP66 3K	100	3000	>80	11500	10000	100	1.315	1/10	BLACK	
	86176	FL LED 200W NERO IP66 3K	200	3000	>80	22500	20000	100	2.65	1/5		
	86174	FL LED 100W NERO IP66 4K	100	4000	>80	11500	10000	100	1.315	1/10		
	86177	FL LED 200W NERO IP66 4K	200	4000	>80	22500	20000	100	2.65	1/5		